

AN6108SA (under development)

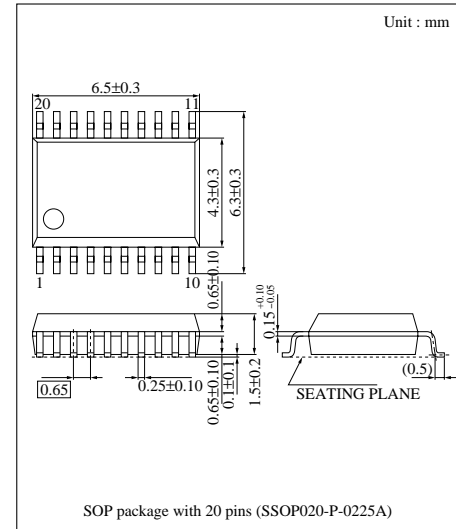
Digital Communication IF Amplifier IC

Overview

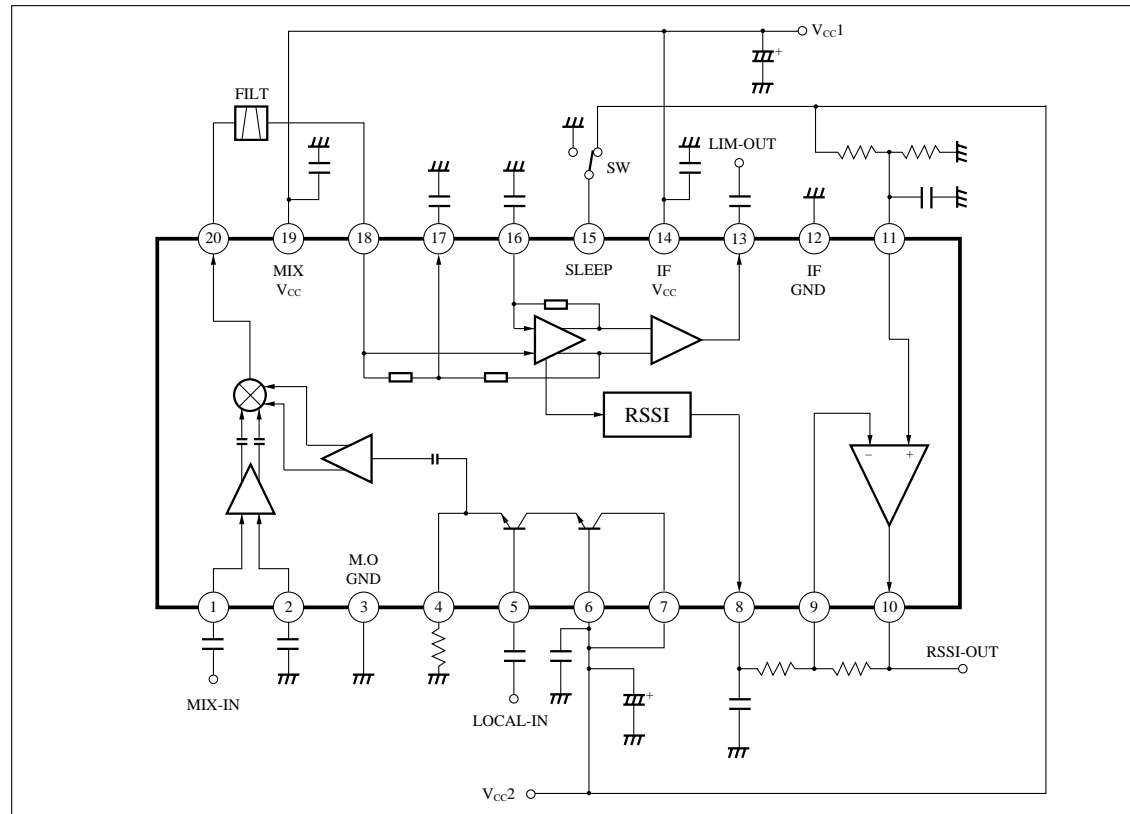
The AN6108SA is an IF amplifier IC for digital communication. It supports mixer input frequencies up to 300 MHz, featuring low current consumption.

Features

- Operating supply voltage range : 2.7 to 4V
- Current consumption : Typ 8.0 mA during operation, 10 μ A or less at sleep
- RSSI input D range : 80dB
- Built-in operational amplifier allowing RSSI polarity to be changed.
- Package : SSOP-20D with 0.65 mm pitch



Block Diagram



■ Pin Descriptions

Pin No.	Description	Pin No.	Description
1	MIX-IN	11	OP-POS
2	MIX-DEC	12	GND-IF
3	GND-MIX/OSC	13	LIM-OUT
4	OSC1	14	V _{CC} -IF
5	OSC2	15	SLEEP
6	V _{CC} -OSC	16	LIM-DEC2
7	OSC-OUT	17	LIM-DEC1
8	RSSI-OUT	18	LIM-IN
9	OP-NEG	19	V _{CC} -MIX
10	OP-OUT	20	MIX-OUT