

0.28" Clock Display

FEATURES

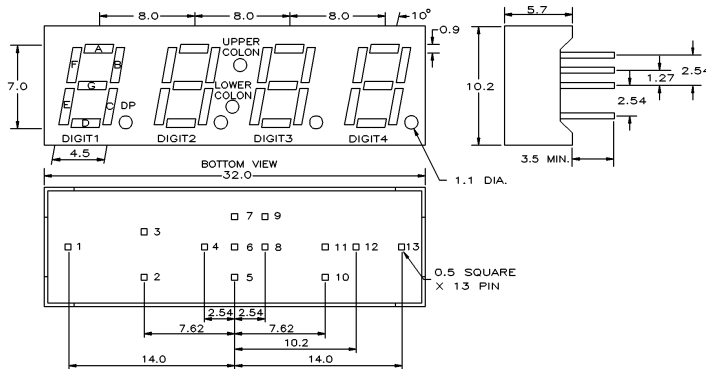
- Low Current Requirements
- High Light Output
- Additional colors/materials available
- IC Compatible

OPTO-ELECTRICAL CHARACTERISTICS (Ta = 25°C)

PART NO.	PEAK WAVE LENGTH (nm)	EMITTED COLOR	FACE COLORS		MAXIMUM RATINGS			OPTO-ELECTRICAL CHARACTERISTICS						PIN-OUT	
			SURFACE COLOR	EPOXY COLOR	IF (mA)	VR (V)	PD (mW)	VF(V)			IR(μA)		IV(mcd)		
								typ.	max.	@mA	max.	@VR	typ. per seg.		@mA
MTN2428-11C	567	Green	Grey	White	30	5	85	2.1	3.0	20	100	5	2.5	10	1
MTN4428R-11C	635	Hi-Eff. Red	Grey	White	30	5	85	2.1	3.0	20	100	5	2.9	10	1

Operating Temperature: -25~+85, Storage Temperature: -25~+100. Other face/epoxy colors are available.

PACKAGE DIMENSIONS AND PIN FUNCTIONS



PINOUT 1

COMMON CATHODE

PIN NO. FUNCTION

1. COMMON CATHODE D1
2. ANODE B
3. ANODE C
4. COMMON CATHODE D2 LOWER COLON
5. ANODE A
6. ANODE D
7. ANODE DP
8. COMMON CATHODE D3 UPPER COLON
9. ANODE UPPER AND LOWER COLON
10. ANODE F
11. ANODE E
12. ANODE G
13. COMMON CATHODE D4

1. ALL DIMENSIONS ARE IN mm, TOLERANCE IS ± 0.25 mm UNLESS OTHERWISE SPECIFIED.
2. THE SLOPE ANGLE OF ANY PIN MAY BE $\pm 5.0^\circ$ MAX.



120 Broadway • Menands, New York 12204
Toll Free: (800) 98-4LEDS • Fax: (518) 432-7454

For up-to-date product info visit our web site at www.marktechopto.com

All specifications subject to change.