

DATA SHEET

For a complete data sheet, please also download:

- The IC04 LOCMOS HE4000B Logic Family Specifications HEF, HEC
- The IC04 LOCMOS HE4000B Logic Package Outlines/Information HEF, HEC

HEF4512B

MSI

8-input multiplexer with 3-state output

Product specification
File under Integrated Circuits, IC04

January 1995

8-input multiplexer with 3-state output

HEF4512B
MSI

DESCRIPTION

The HEF4512B is an 8-input multiplexer with 8 binary inputs (I_0 to I_7), an enable input (\bar{E}) and an output enable input (\bar{EO}). One of eight binary inputs is selected by select inputs S_0 , S_1 and S_2 , and is routed to the output O . A HIGH on \bar{EO} causes O to assume a high impedance OFF-state, regardless of other input conditions. This allows the output

to interface directly with bus oriented systems (3-state). When the active LOW enable (\bar{E}) is HIGH, it forces the output LOW provided \bar{EO} is LOW. By proper manipulation of the inputs, the device can provide any logic functions of four variables. It cannot be used to multiplex analogue signals.

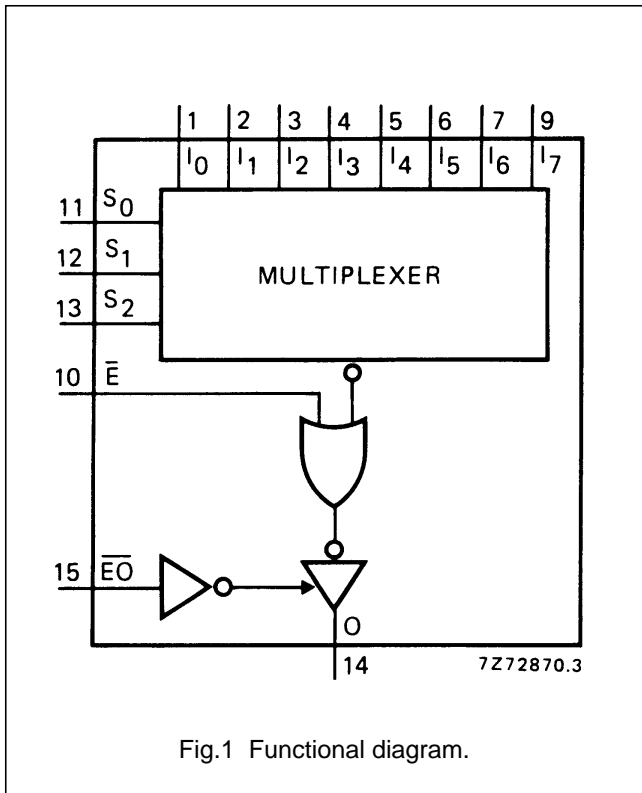


Fig.1 Functional diagram.

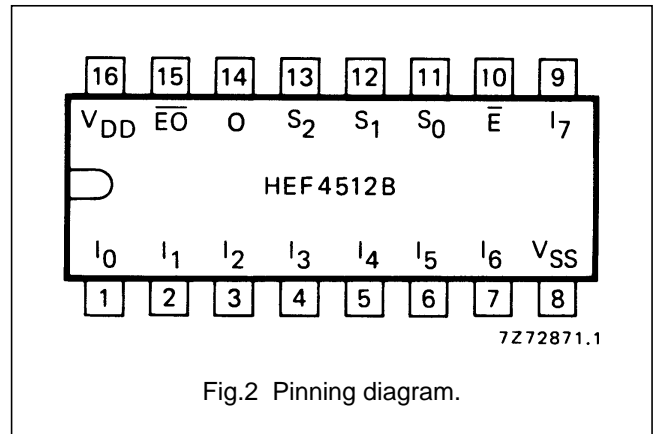


Fig.2 Pinning diagram.

- HEF4512BP(N): 16-lead DIL; plastic (SOT38-1)
- HEF4512BD(F): 16-lead DIL; ceramic (cerdip) (SOT74)
- HEF4512BT(D): 16-lead SO; plastic (SOT109-1)
- (): Package Designator North America

PINNING

- S_0, S_1, S_2 select inputs
- \bar{EO} output enable (active LOW)
- \bar{E} enable (active LOW)
- I_0 to I_7 multiplexer inputs
- O multiplexer output

FAMILY DATA, I_{DD} LIMITS category MSI

See Family Specifications

8-input multiplexer with 3-state output

HEF4512B
MSI

7272869.1

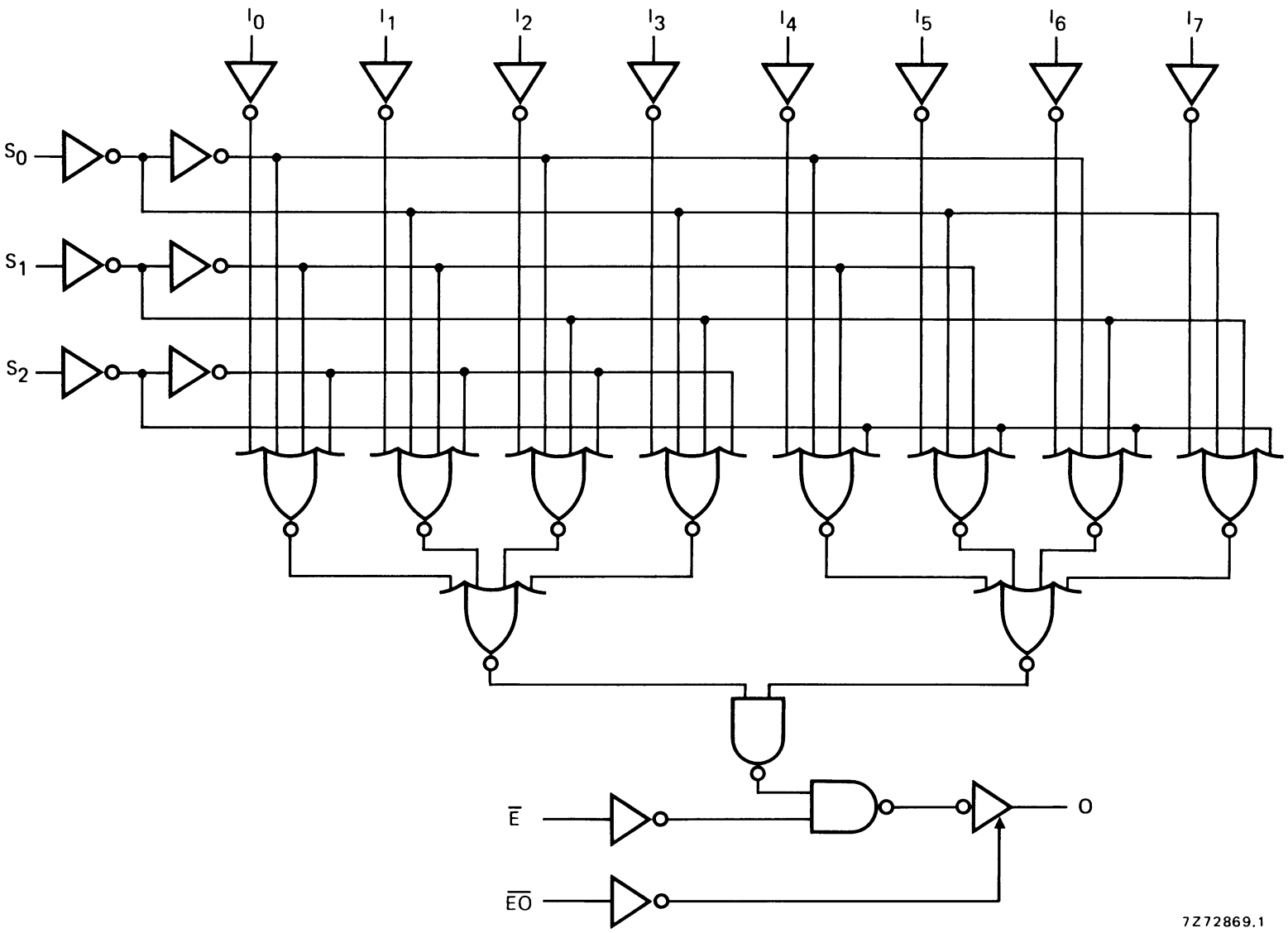


Fig.3 Logic diagram.

8-input multiplexer with 3-state output

HEF4512B
MSI

TRUTH TABLE

INPUTS													OUTPUT
\overline{EO}	\overline{E}	S_2	S_1	S_0	I_0	I_1	I_2	I_3	I_4	I_5	I_6	I_7	O
L	H	X	X	X	X	X	X	X	X	X	X	X	L
L	L	L	L	L	L	X	X	X	X	X	X	X	L
L	L	L	L	L	H	X	X	X	X	X	X	X	H
L	L	L	L	H	X	L	X	X	X	X	X	X	L
L	L	L	L	H	X	H	X	X	X	X	X	X	H
L	L	L	H	L	X	X	L	X	X	X	X	X	L
L	L	L	H	L	X	X	H	X	X	X	X	X	H
L	L	L	H	H	X	X	X	L	X	X	X	X	L
L	L	L	H	H	X	X	X	H	X	X	X	X	H
L	L	H	L	L	X	X	X	X	L	X	X	X	L
L	L	H	L	L	X	X	X	X	H	X	X	X	H
L	L	H	L	H	X	X	X	X	X	L	X	X	L
L	L	H	L	H	X	X	X	X	X	H	X	X	H
L	L	H	H	L	X	X	X	X	X	X	L	X	L
L	L	H	H	H	X	X	X	X	X	X	X	L	L
L	L	H	H	H	X	X	X	X	X	X	X	H	H
H	X	X	X	X	X	X	X	X	X	X	X	X	Z

Notes

- 1. H = HIGH state (the more positive voltage)
- L = LOW state (the less positive voltage)
- X = state is immaterial
- Z = high impedance OFF-state

AC CHARACTERISTICS

$V_{SS} = 0\text{ V}$; $T_{amb} = 25\text{ }^\circ\text{C}$; input transition times $\leq 20\text{ ns}$

	V_{DD} V	TYPICAL FORMULA FOR P (μW)	
Dynamic power dissipation per package (P)	5	$500 f_i + \sum (f_o C_L) \times V_{DD}^2$	where f_i = input freq. (MHz) f_o = output freq. (MHz) C_L = load capacitance (pF) $\sum (f_o C_L)$ = sum of outputs V_{DD} = supply voltage (V)
	10	$2100 f_i + \sum (f_o C_L) \times V_{DD}^2$	
	15	$5800 f_i + \sum (f_o C_L) \times V_{DD}^2$	

8-input multiplexer with 3-state output

HEF4512B
MSI

AC CHARACTERISTICS

 $V_{SS} = 0\text{ V}$; $T_{amb} = 25\text{ }^{\circ}\text{C}$; $C_L = 50\text{ pF}$; input transition times $\leq 20\text{ ns}$

	V_{DD} V	SYMBOL	TYP.	MAX.		TYPICAL EXTRAPOLATION FORMULA
Propagation delays						
$I_n \rightarrow O$	5		100	200	ns	73 ns + (0,55 ns/pF) C_L
HIGH to LOW	10	t_{PHL}	40	80	ns	29 ns + (0,23 ns/pF) C_L
	15		30	60	ns	22 ns + (0,16 ns/pF) C_L
LOW to HIGH	5	t_{PLH}	100	200	ns	73 ns + (0,55 ns/pF) C_L
	10		40	80	ns	29 ns + (0,23 ns/pF) C_L
	15		30	60	ns	22 ns + (0,16 ns/pF) C_L
$S_n \rightarrow O$	5		140	280	ns	113 ns + (0,55 ns/pF) C_L
HIGH to LOW	10	t_{PHL}	55	110	ns	44 ns + (0,23 ns/pF) C_L
	15		40	80	ns	32 ns + (0,16 ns/pF) C_L
LOW to HIGH	5	t_{PLH}	150	300	ns	123 ns + (0,55 ns/pF) C_L
	10		60	120	ns	49 ns + (0,23 ns/pF) C_L
	15		40	80	ns	32 ns + (0,16 ns/pF) C_L
$\bar{E} \rightarrow O$	5		60	120	ns	33 ns + (0,55 ns/pF) C_L
HIGH to LOW	10	t_{PHL}	25	50	ns	14 ns + (0,23 ns/pF) C_L
	15		20	40	ns	12 ns + (0,16 ns/pF) C_L
LOW to HIGH	5	t_{PLH}	55	110	ns	28 ns + (0,55 ns/pF) C_L
	10		25	50	ns	14 ns + (0,23 ns/pF) C_L
	15		20	40	ns	12 ns + (0,16 ns/pF) C_L
Output transition times						
HIGH to LOW	5		60	120	ns	10 ns + (1,0 ns/pF) C_L
	10	t_{THL}	30	60	ns	9 ns + (0,42 ns/pF) C_L
	15		20	40	ns	6 ns + (0,28 ns/pF) C_L
LOW to HIGH	5	t_{TLH}	60	120	ns	10 ns + (1,0 ns/pF) C_L
	10		30	60	ns	9 ns + (0,42 ns/pF) C_L
	15		20	40	ns	6 ns + (0,28 ns/pF) C_L
3-state propagation delays						
Output disable times						
$\bar{E}O \rightarrow O$	5		35	70	ns	
HIGH	10	t_{PHZ}	20	40	ns	
	15		15	30	ns	
LOW	5	t_{PLZ}	35	70	ns	
	10		15	30	ns	
	15		10	20	ns	
Output enable times						
$\bar{E}O \rightarrow O$	5		35	70	ns	
HIGH	10	t_{PZH}	15	30	ns	
	15		10	20	ns	

8-input multiplexer with 3-state output

HEF4512B
MSI

	V _{DD} V	SYMBOL	TYP.	MAX.		TYPICAL EXTRAPOLATION FORMULA
LOW	5	t _{PZL}	35	70	ns	
	10		20	40	ns	
	15		15	30	ns	

APPLICATION INFORMATION

Some examples of applications for the HEF4512B are:

- Signal gating
- Digital multiplexing
- Number sequence generation

8-input multiplexer with 3-state output

HEF4512B
MSI

TRUTH TABLE for Fig. 4

A ₄	A ₃	A ₂	A ₁	A ₀	INPUT CONN. TO OUTPUT
L	L	L	L	L	0
L	L	L	L	H	1
L	L	L	H	L	2
L	L	L	H	H	3
L	L	H	L	L	4
L	L	H	L	H	5
L	L	H	H	L	6
L	L	H	H	H	7
L	H	L	L	L	8
L	H	L	L	H	9
L	H	L	H	L	10
L	H	L	H	H	11
L	H	H	L	L	12
L	H	H	L	H	13
L	H	H	H	L	14
L	H	H	H	H	15
H	L	L	L	L	16
H	L	L	L	H	17
H	L	L	H	L	18
H	L	L	H	H	19
H	L	H	L	L	20
H	L	H	L	H	21
H	L	H	H	L	22
H	L	H	H	H	23
H	H	L	L	L	24
H	H	L	L	H	25
H	H	L	H	L	26
H	H	L	H	H	27
H	H	H	L	L	28
H	H	H	L	H	29
H	H	H	H	L	30
H	H	H	H	H	31

