

## Features

- Operating voltage: 2V~12V
- Low power consumption
- Built-in oscillator needs only 5% resistor
- 0/2/4/8 data selectable
- 2<sup>24</sup> maximum address and data codes
- Easy interface with an RF or IR medium
- One time programmable process
- Data active: D0~D7
- Minimal external components
- HT6P20A/B: 8-pin DIP/SOP package
- HT6P20D: 16-pin DIP/NSOP package

## Applications

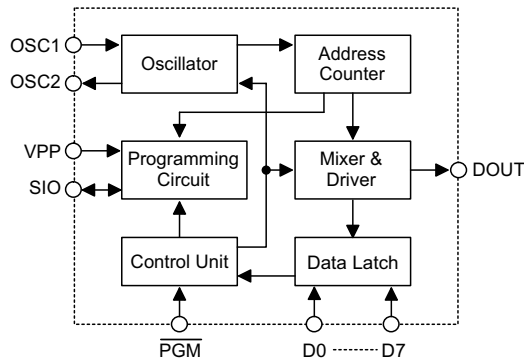
- Burglar alarm system
- Smoke and fire alarm system
- Garage door controllers
- Car door controllers
- Security system
- Cordless telephones
- Other remote control systems

## General Description

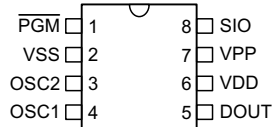
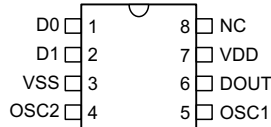
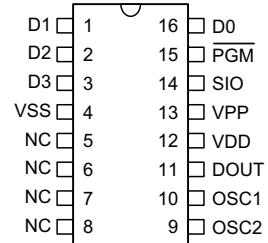
The HT6P20X is a CMOS LSI encoder designed for remote control system applications. It encodes 24 bits of information and then serially transmits it via the DOUT pin upon receipt of transmission enable (DATA pins: D0~D7) signals. The combination of address and data bits of the HT6P20X is designed using one time pro-

grammable process. In addition, the chip offers various packaging for flexible combination of programmable address/data so as to meet various applications. Its programmable address/data is transmitted together with the anti-code bits via RF or infrared transmission medium upon receipt of a trigger signal.

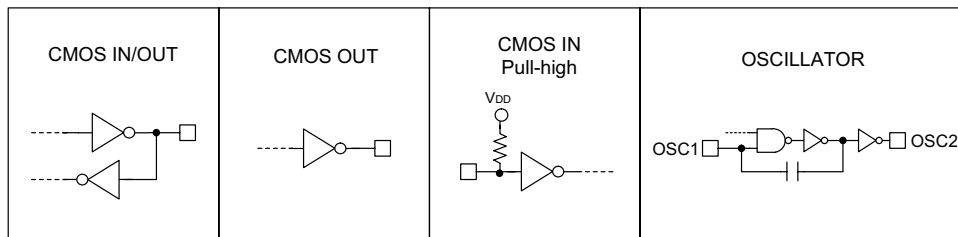
## Block Diagram



Note: Address/Data numbers are available in various combinations, refer to the functional description.

**Pin Assignment**
**24-Address  
0-Data**

**HT6P20A  
- 8 DIP/SOP**
**22-Address  
2-Data**

**HT6P20B  
- 8 DIP/SOP**
**20-Address  
4-Data**

**HT6P20D  
- 16 DIP/NSOP**
**Pin Description**
**HT6P20D**

Pin No.	Pin Name	I/O	Internal Connection	Description
16 1~3	D0~D3	I	CMOS IN Pull-high	Data input and transmission enable (active low) They can be externally set to VSS or left open.
4	VSS	—	—	Negative power supply, ground
5~8	NC	—	—	No connection
9	OSC2	O	OSCILLATOR	Oscillator output pin
10	OSC1	I	OSCILLATOR	Oscillator input pin
11	DOUT	O	CMOS OUT	Data serial transmission output
12	VDD	—	—	Positive power supply
13	VPP	I	—	Programming power supply, V <sub>DD</sub> for normal operation
14	SIO	I/O	CMOS IN/OUT	Programming address/control code input and mode code output for mode verification
15	PGM	I	CMOS IN Pull-high	Program mode control pin, active low

**Approximate internal connection circuits**


**Absolute Maximum Ratings**

Supply Voltage .....	$V_{SS}-0.3V$ to $V_{SS}+12V$	Storage Temperature .....	$-50^{\circ}C$ to $125^{\circ}C$
Input Voltage.....	$V_{SS}-0.3V$ to $V_{DD}+0.3V$	Operating Temperature.....	$-20^{\circ}C$ to $75^{\circ}C$

Note: These are stress ratings only. Stresses exceeding the range specified under "Absolute Maximum Ratings" may cause substantial damage to the device. Functional operation of this device at other conditions beyond those listed in the specification is not implied and prolonged exposure to extreme conditions may affect device reliability.

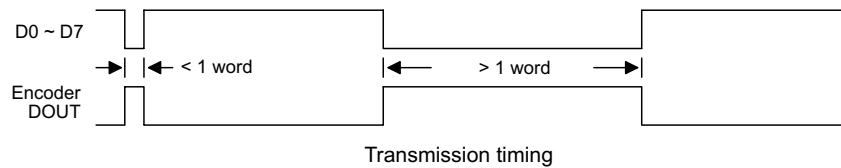
**Electrical Characteristics**

Ta=25°C

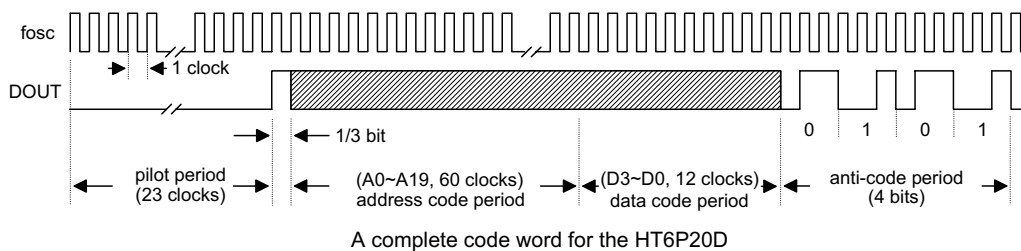
Symbol	Parameter	Test Conditions		Min.	Typ.	Max.	Unit	
		V <sub>DD</sub>	Conditions					
V <sub>DD</sub>	Operating Voltage	—	—	2	—	12	V	
I <sub>STB</sub>	Standby Current	12V	Oscillator stops	—	1	2	μA	
I <sub>DD</sub>	Operating Current	12V	No load, f <sub>OSC</sub> =3kHz	—	200	400	μA	
V <sub>IH</sub>	"H" Input Voltage	—	—	0.8V <sub>DD</sub>	—	V <sub>DD</sub>	V	
V <sub>IL</sub>	"L" Input Voltage	—	—	0	—	0.2V <sub>DD</sub>	V	
R <sub>PH</sub>	D0~D7 Pull-high Resistance	12V	—	—	150	300	kΩ	
I <sub>DOUT</sub>	Output Current	Source	5V	0.9V <sub>DD</sub>	-2	-5	—	mA
			12V	0.9V <sub>DD</sub>	-6.5	-15	—	mA
		Sink	5V	0.1V <sub>DD</sub>	2	5	—	mA
			12V	0.1V <sub>DD</sub>	6	15	—	mA
f <sub>osc</sub>	Oscillator Frequency	12V	R <sub>OSC</sub> =1.4MΩ	—	3	—	kHz	

**Functional Description**
**Normal Operation**

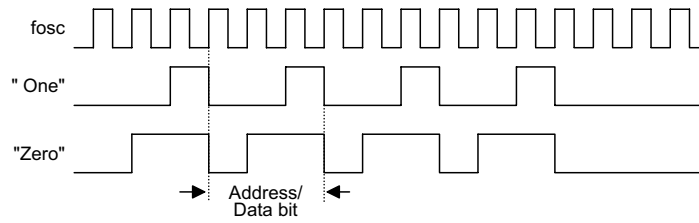
The HT6P20X encodes and transmits address/data to a decoder upon receipt of a trigger signal. The address codes of the HT6P20A are always transmitted as long as power (V<sub>DD</sub>) is supplied. The transmission function of the HT6P20B/D is enabled by the D0~D7 pins (active low). The following is the transmission timing of the HT6P20X:



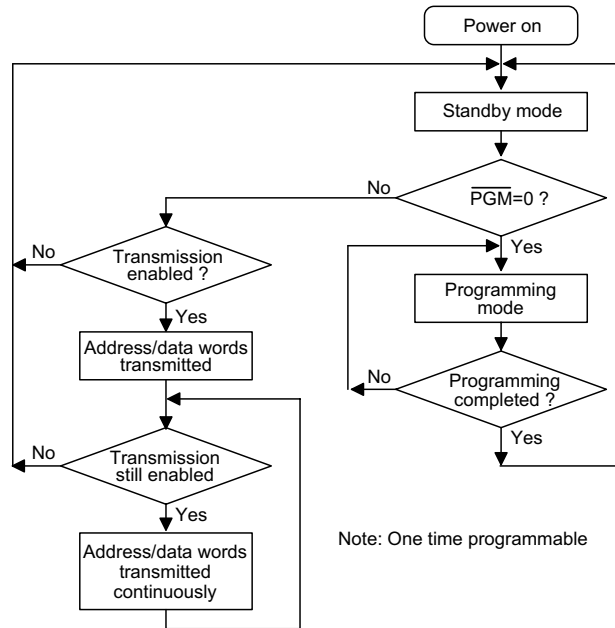
A complete code word of the HT6P20D consists of 3 periods as shown below.



The HT6P20A/B/D detects the logic state of the internal programmed address and the external data pins, and then transmits the detected information during the code period. Each address/data bit can be set to one of the following two logic states:

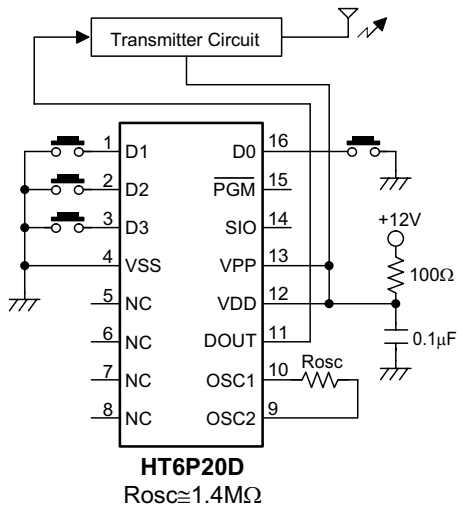
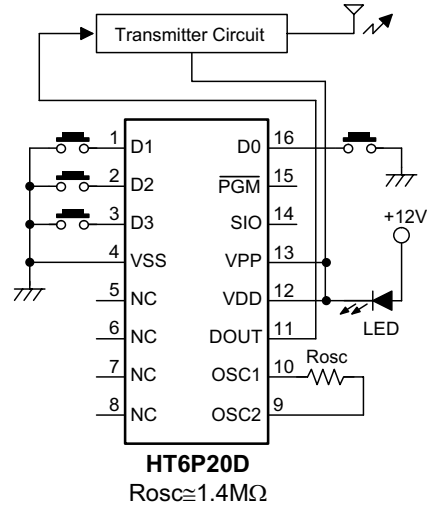
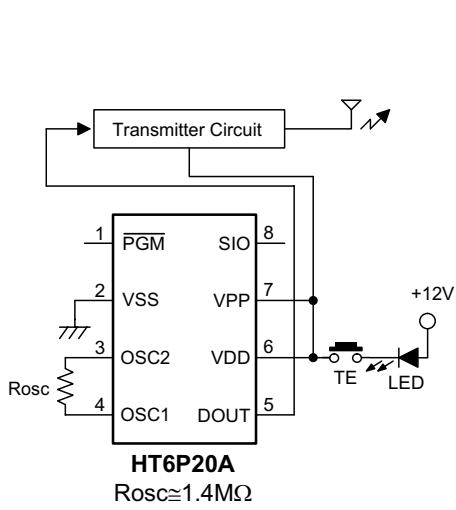


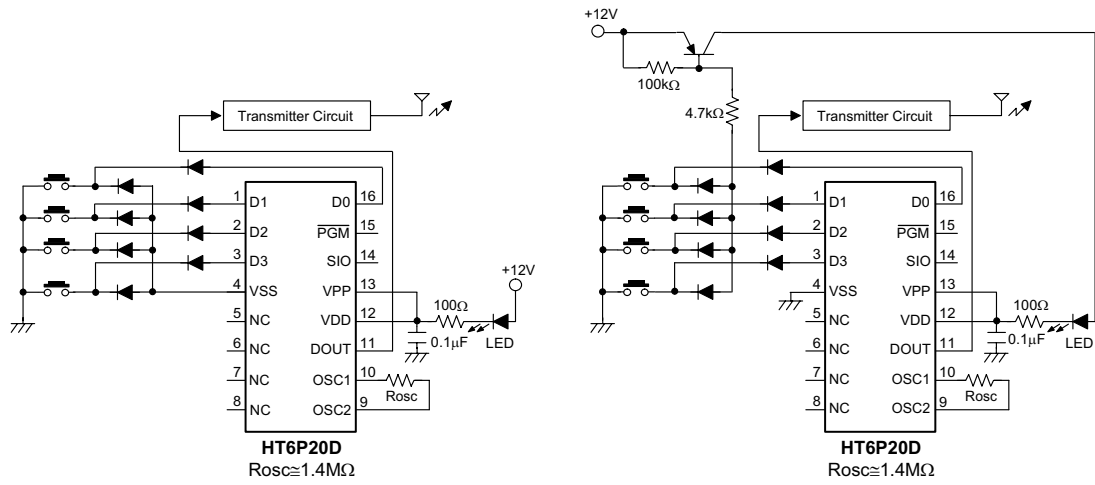
**Flowchart**



Note: One time programmable

**Application Circuits**

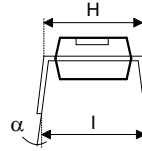
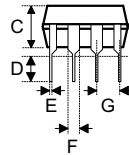
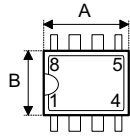




Note: In order to prevent the IC from getting damaged due to the latch up, the 100 $\Omega$  resistor or the LED which can also be a transmission indicator is indispensable when V<sub>DD</sub>=9V~12V.

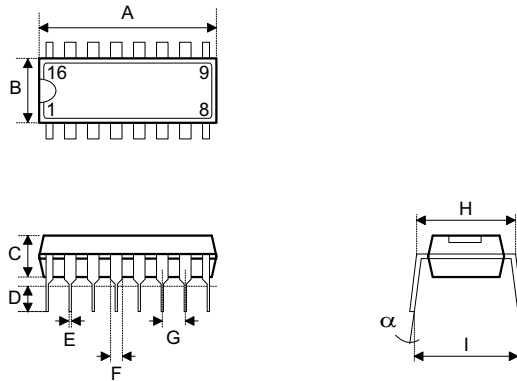
**Package Information**

**8-pin DIP (300mil) Outline Dimensions**



Symbol	Dimensions in mil		
	Min.	Nom.	Max.
A	355	—	375
B	240	—	260
C	125	—	135
D	125	—	145
E	16	—	20
F	50	—	70
G	—	100	—
H	295	—	315
I	335	—	375
$\alpha$	0°	—	15°

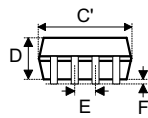
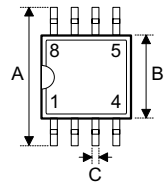
**16-pin DIP (300mil) Outline Dimensions**



Symbol	Dimensions in mil		
	Min.	Nom.	Max.
A	745	—	775
B	240	—	260
C	125	—	135
D	125	—	145
E	16	—	20
F	50	—	70
G	—	100	—
H	295	—	315
I	335	—	375
$\alpha$	0°	—	15°

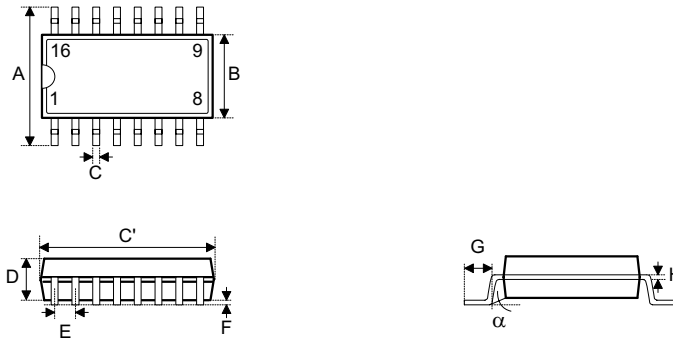


**8-pin SOP (150mil) Outline Dimensions**

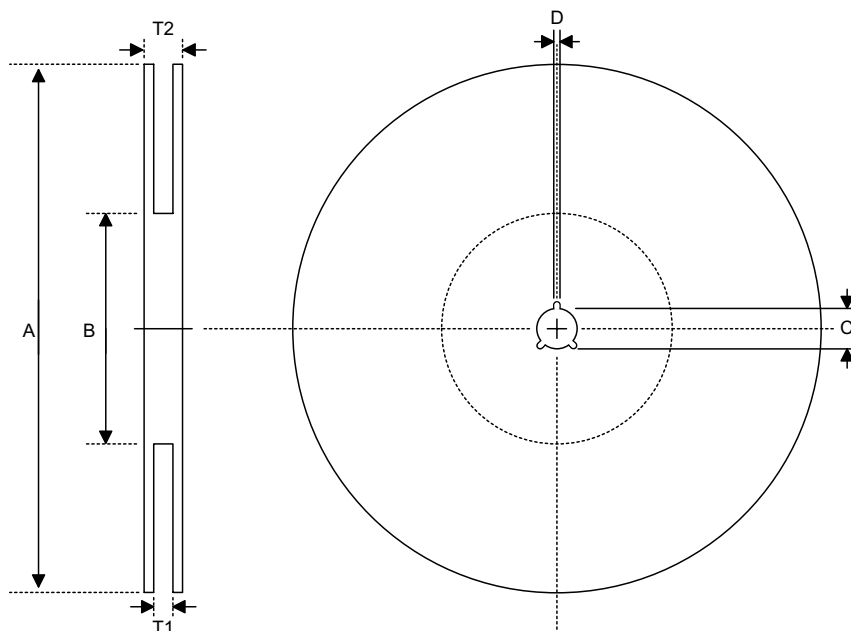


Symbol	Dimensions in mil		
	Min.	Nom.	Max.
A	228	—	244
B	149	—	157
C	14	—	20
C'	189	—	197
D	53	—	69
E	—	50	—
F	4	—	10
G	22	—	28
H	4	—	12
$\alpha$	0°	—	10°

**16-pin NSOP (150mil) Outline Dimensions**



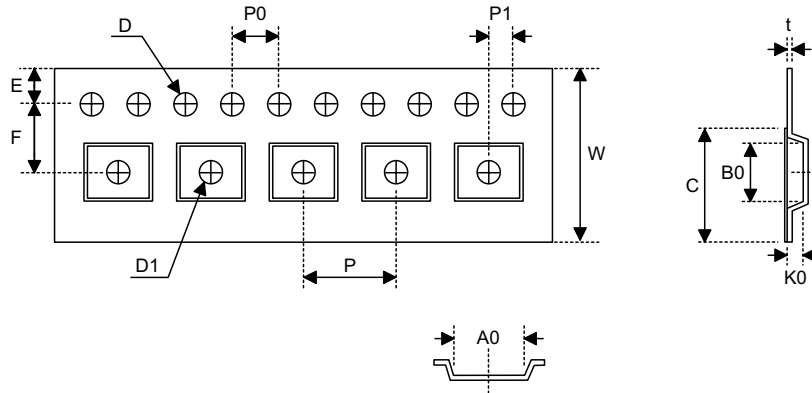
Symbol	Dimensions in mil		
	Min.	Nom.	Max.
A	228	—	244
B	149	—	157
C	14	—	20
C'	386	—	394
D	53	—	69
E	—	50	—
F	4	—	10
G	22	—	28
H	4	—	12
$\alpha$	0°	—	10°

**Product Tape and Reel Specifications**
**Reel Dimensions**

**SOP 8N**

Symbol	Description	Dimensions in mm
A	Reel Outer Diameter	330±1.0
B	Reel Inner Diameter	62±1.5
C	Spindle Hole Diameter	13.0+0.5 -0.2
D	Key Slit Width	2.0±0.15
T1	Space Between Flange	12.8+0.3 -0.2
T2	Reel Thickness	18.2±0.2

**SOP 16N (150mil)**

Symbol	Description	Dimensions in mm
A	Reel Outer Diameter	330±1.0
B	Reel Inner Diameter	62±1.5
C	Spindle Hole Diameter	13.0+0.5 -0.2
D	Key Slit Width	2.0±0.5
T1	Space Between Flange	16.8+0.3 -0.2
T2	Reel Thickness	22.2±0.2

**Carrier Tape Dimensions**

**SOP 8N**

Symbol	Description	Dimensions in mm
W	Carrier Tape Width	12.0+0.3 -0.1
P	Cavity Pitch	8.0±0.1
E	Perforation Position	1.75±0.1
F	Cavity to Perforation (Width Direction)	5.5±0.1
D	Perforation Diameter	1.55±0.1
D1	Cavity Hole Diameter	1.5+0.25
P0	Perforation Pitch	4.0±0.1
P1	Cavity to Perforation (Length Direction)	2.0±0.1
A0	Cavity Length	6.4±0.1
B0	Cavity Width	5.20±0.1
K0	Cavity Depth	2.1±0.1
t	Carrier Tape Thickness	0.3±0.05
C	Cover Tape Width	9.3

**NSOP 16N**

Symbol	Description	Dimensions in mm
W	Carrier Tape Width	16.0±0.3
P	Cavity Pitch	8.0±0.1
E	Perforation Position	1.75±0.1
F	Cavity to Perforation (Width Direction)	7.5±0.1
D	Perforation Diameter	1.55±0.1
D1	Cavity Hole Diameter	1.5+0.25
P0	Perforation Pitch	4.0±0.1
P1	Cavity to Perforation (Length Direction)	2.0±0.1
A0	Cavity Length	6.5±0.1
B0	Cavity Width	10.3±0.1
K0	Cavity Depth	2.1±0.1
t	Carrier Tape Thickness	0.3±0.05
C	Cover Tape Width	13.3

**Holtek Semiconductor Inc. (Headquarters)**

No.3, Creation Rd. II, Science Park, Hsinchu, Taiwan  
Tel: 886-3-563-1999  
Fax: 886-3-563-1189  
<http://www.holtek.com.tw>

**Holtek Semiconductor Inc. (Taipei Sales Office)**

4F-2, No. 3-2, YuanQu St., Nankang Software Park, Taipei 115, Taiwan  
Tel: 886-2-2655-7070  
Fax: 886-2-2655-7373  
Fax: 886-2-2655-7383 (International sales hotline)

**Holtek Semiconductor Inc. (Shanghai Sales Office)**

7th Floor, Building 2, No.889, Yi Shan Rd., Shanghai, China 200233  
Tel: 021-6485-5560  
Fax: 021-6485-0313  
<http://www.holtek.com.cn>

**Holtek Semiconductor Inc. (Shenzhen Sales Office)**

43F, SEG Plaza, Shen Nan Zhong Road, Shenzhen, China 518031  
Tel: 0755-8346-5589  
Fax: 0755-8346-5590  
ISDN: 0755-8346-5591

**Holtek Semiconductor Inc. (Beijing Sales Office)**

Suite 1721, Jinyu Tower, A129 West Xuan Wu Men Street, Xicheng District, Beijing, China 100031  
Tel: 010-6641-0030, 6641-7751, 6641-7752  
Fax: 010-6641-0125

**Holmate Semiconductor, Inc. (North America Sales Office)**

46712 Fremont Blvd., Fremont, CA 94538  
Tel: 510-252-9880  
Fax: 510-252-9885  
<http://www.holmate.com>

Copyright © 2003 by HOLTEK SEMICONDUCTOR INC.

The information appearing in this Data Sheet is believed to be accurate at the time of publication. However, Holtek assumes no responsibility arising from the use of the specifications described. The applications mentioned herein are used solely for the purpose of illustration and Holtek makes no warranty or representation that such applications will be suitable without further modification, nor recommends the use of its products for application that may present a risk to human life due to malfunction or otherwise. Holtek's products are not authorized for use as critical components in life support devices or systems. Holtek reserves the right to alter its products without prior notification. For the most up-to-date information, please visit our web site at <http://www.holtek.com.tw>.