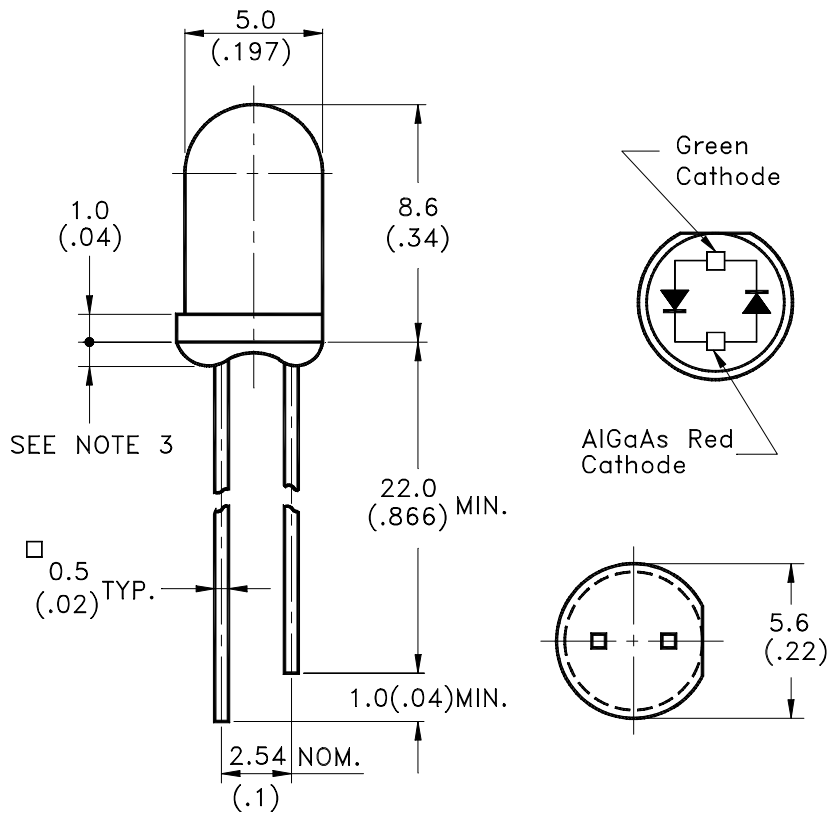


Features

- * AlGaAs Red and Green chips are matched for uniform light output.
- * T-1 $\frac{3}{4}$ type package.
- * Long life solid state reliability.
- * Low power consumption.
- * I.C compatible.

Package Dimensions



Part No.	Lens	Source Color
LTL-293SJW	White Diffused	AlGaAs Red / Green

NOTES:

1. All dimensions are in millimeters (inches).
2. Tolerance is $\pm 0.25\text{mm}(.010\text{'})$ unless otherwise noted.
3. Protruded resin under flange is 1.0mm (.04") max.
4. Lead spacing is measured where the leads emerge from the package.
5. Specifications are subject to change without notice.



LITE-ON ELECTRONICS, INC.

Property of Lite-On Only

Absolute Maximum Ratings at TA=25°C

Parameter	AlGaAs Red	Green	Unit
Power Dissipation	100	100	mW
Peak Forward Current (1/10 Duty Cycle, 0.1ms Pulse Width)	200	120	mA
Continuous Forward Current	40	30	mA
Derating Linear From 50°C	0.5	0.4	mA/°C
Operating Temperature Range	-55°C to + 100°C		
Storage Temperature Range	-55°C to + 100°C		
Lead Soldering Temperature [1.6mm(.063") From Body]	260°C for 5 Seconds		



LITE-ON ELECTRONICS, INC.

Property of Lite-On Only

Electrical Optical Characteristics at TA=25°C

Parameter	Symbol	Color	Min.	Typ.	Max.	Unit	Test Condition
Luminous Intensity	I _v	AlGaAs Red Green	29 12.6	90 40		mcd	I _F = 20mA I _F = 20mA Note 1,4
Viewing Angle	2θ _{1/2}	AlGaAs Red Green		60 60		deg	Note 2 (Fig.6)
Peak Emission Wavelength	λ _p	AlGaAs Red Green		660 565		nm	Measurement @Peak (Fig.1)
Dominant Wavelength	λ _d	AlGaAs Red Green		638 569		nm	Note 3
Spectral Line Half-Width	Δλ	AlGaAs Red Green		20 30		nm	
Forward Voltage	V _F	AlGaAs Red Green		1.8 2.1	2.4 2.6	V	I _F = 20mA I _F = 20mA
Reverse Current	I _R	AlGaAs Red Green			100 100	μA	V _R = 4V V _R = 5V Note 5
Capacitance	C	AlGaAs Red Green		30 35		pF	V _F = 0, f = 1MHz

- Note: 1. Luminous intensity is measured with a light sensor and filter combination that approximates the CIE (Commission International De L'Eclairage) eye-response curve.
2. θ_{1/2} is the off-axis angle at which the luminous intensity is half the axial luminous intensity.
3. The dominant wavelength, λ_d is derived from the CIE chromaticity diagram and represents the single wavelength which defines the color of the device.
4. The I_v guarantee should be added ± 15%.
5. Reverse current is controlled by dice source.