



# 3.3V CMOS 9-BIT, 4-PORT UNIVERSAL BUS EXCHANGER WITH 3-STATE OUTPUTS AND BUS-HOLD

**IDT74ALVCH16409**

## FEATURES:

- 0.5 MICRON CMOS Technology
- Typical  $t_{sk(o)}$  (Output Skew) < 250ps
- ESD > 2000V per MIL-STD-883, Method 3015; > 200V using machine model (C = 200pF, R = 0)
- $V_{cc} = 3.3V \pm 0.3V$ , Normal Range
- $V_{cc} = 2.7V$  to  $3.6V$ , Extended Range
- $V_{cc} = 2.5V \pm 0.2V$
- CMOS power levels (0.4 $\mu$  W typ. static)
- Rail-to-Rail output swing for increased noise margin
- Available in SSOP, TSSOP, and TVSOP packages

## DRIVE FEATURES:

- High Output Drivers:  $\pm 24mA$
- Suitable for heavy loads

## APPLICATIONS:

- 3.3V high speed systems
- 3.3V and lower voltage computing systems

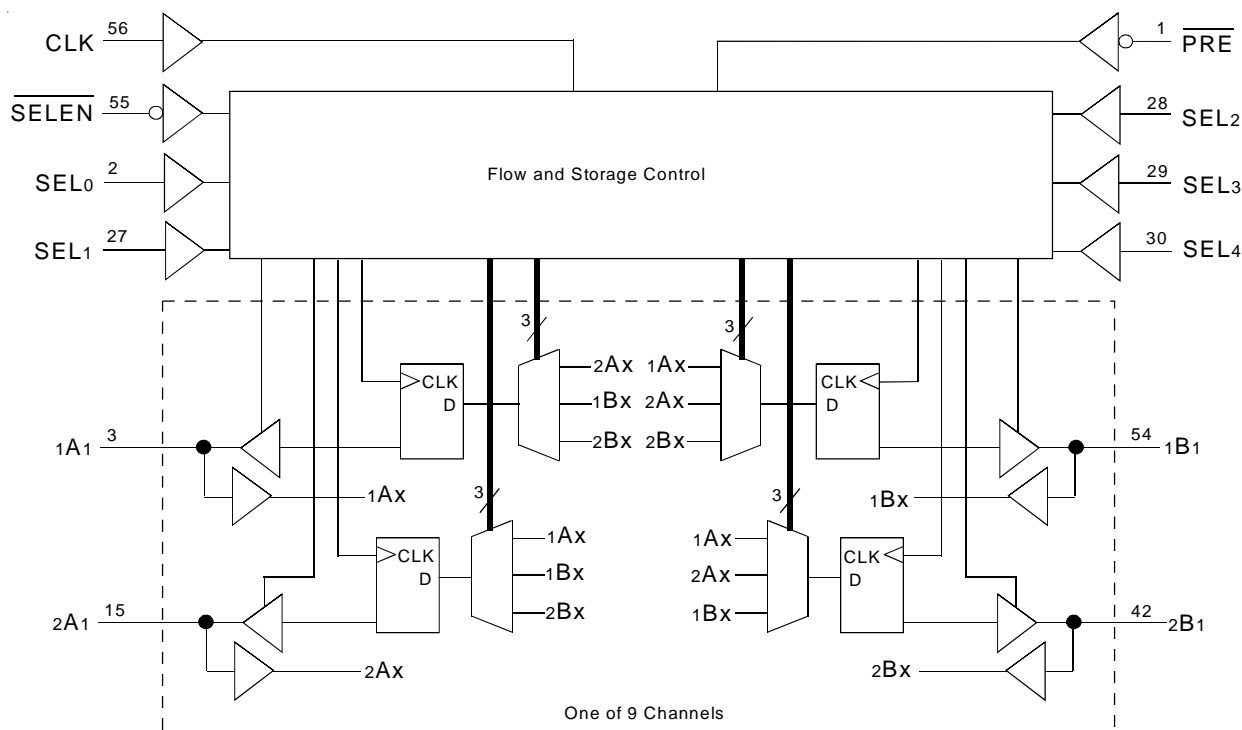
## DESCRIPTION:

This 9-bit, 4-port universal bus exchanger is built using advanced dual metal CMOS technology. The ALVCH16409 allows synchronous data exchange between four different buses. Data flow is controlled by the select (SEL0–SEL4) inputs. A data-flow state is stored on the rising edge of the clock (CLK) input if the select-enable ( $\overline{SELEN}$ ) input is low. Once a data-flow state has been established, data is stored in the flip-flop on the rising edge of CLK if  $\overline{SELEN}$  is high. The data-flow control logic is designed to allow glitch-free data transmission. When preset ( $\overline{PRE}$ ) transitions high, the outputs are disabled immediately without waiting for a clock pulse. To leave the high-impedance state, both  $\overline{PRE}$  and  $\overline{SELEN}$  must be low and a clock pulse must be applied.

The ALVCH16409 has been designed with a  $\pm 24mA$  output driver. This driver is capable of driving a moderate to heavy load while maintaining speed performance.

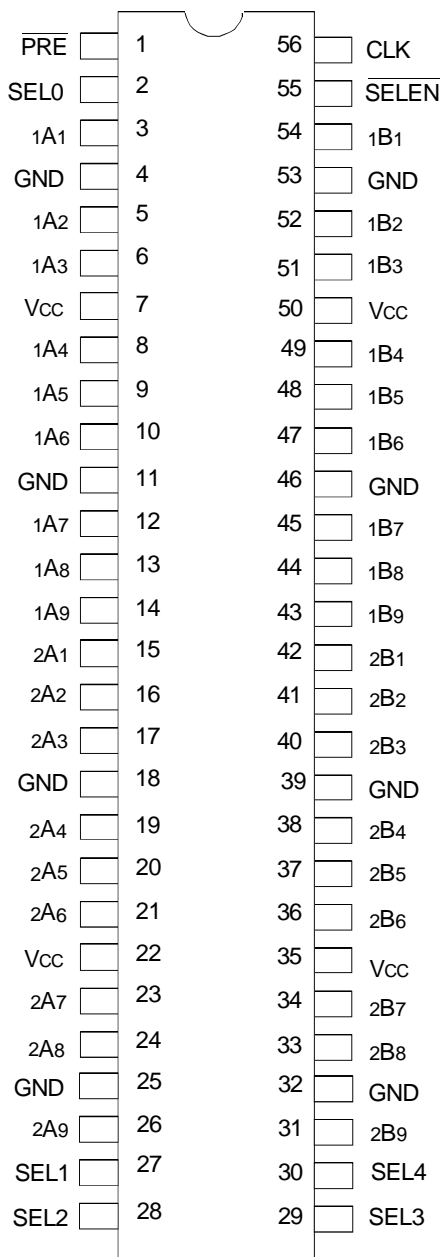
The ALVCH16409 has "bus-hold" which retains the inputs' last state whenever the input bus goes to a high impedance. This prevents floating inputs and eliminates the need for pull-up/down resistors.

## FUNCTIONAL BLOCK DIAGRAM



The IDT logo is a registered trademark of Integrated Device Technology, Inc.

## PIN CONFIGURATION



SSOP/ TSSOP/ TVSOP  
TOP VIEW

## ABSOLUTE MAXIMUM RATINGS<sup>(1)</sup>

Symbol	Description	Max	Unit
VTERM <sup>(2)</sup>	Terminal Voltage with Respect to GND	-0.5 to +4.6	V
VTERM <sup>(3)</sup>	Terminal Voltage with Respect to GND	-0.5 to Vcc+0.5	V
TSTG	Storage Temperature	-65 to +150	°C
IOUT	DC Output Current	-50 to +50	mA
I <sub>IK</sub>	Continuous Clamp Current, V <sub>I</sub> < 0 or V <sub>I</sub> > Vcc	±50	mA
I <sub>OK</sub>	Continuous Clamp Current, V <sub>O</sub> < 0	-50	mA
I <sub>CC</sub> I <sub>SS</sub>	Continuous Current through each Vcc or GND	±100	mA

### NOTES:

- Stresses greater than those listed under ABSOLUTE MAXIMUM RATINGS may cause permanent damage to the device. This is a stress rating only and functional operation of the device at these or any other conditions above those indicated in the operational sections of this specification is not implied. Exposure to absolute maximum rating conditions for extended periods may affect reliability.
- Vcc terminals.
- All terminals except Vcc.

## CAPACITANCE (T<sub>A</sub> = +25°C, F = 1.0MHz)

Symbol	Parameter <sup>(1)</sup>	Conditions	Typ.	Max.	Unit
C <sub>IN</sub>	Input Capacitance	V <sub>IN</sub> = 0V	5	7	pF
C <sub>OUT</sub>	Output Capacitance	V <sub>OUT</sub> = 0V	7	9	pF
C <sub>I/O</sub>	I/O Port Capacitance	V <sub>IN</sub> = 0V	7	9	pF

### NOTE:

- As applicable to the device type.

## PIN DESCRIPTION

Pin Names	Description
PRE	Preset Input (Active LOW)
SELEN	Select Enable Input (Active LOW)
SEL0 - SEL4	Select Inputs
CLK	Clock Input
xAx	A-to-B Data Inputs or B-to-A 3-State Outputs <sup>(1)</sup>
xBx	B-to-A Data Inputs or A-to-B 3-State Outputs <sup>(1)</sup>

### NOTE:

- These pins have "Bus-Hold". All other pins are standard inputs, outputs, or I/Os.

## FUNCTION TABLE<sup>(1)</sup>

Inputs		Output
CLK	Send Port	Receive Port
↑	L	L
↑	H	H
H	X	B <sup>(2)</sup>
L	X	B <sup>(2)</sup>

### NOTES:

- H = HIGH Voltage Level  
L = LOW Voltage Level  
X = Don't Care  
↑ = LOW-to-HIGH Transition
- Output level before the indicated steady-state input conditions were established.

DATA FLOW CONTROL

Inputs								Data Flow
PRE	SELEN	CLK	SEL0	SEL1	SEL2	SEL3	SEL4	
H	X	X	X	X	X	X	X	All outputs disabled
L	H	↑	X	X	X	X	X	No change
L	L	↑	0	0	0	0	0	None, all I/Os off
L	L	↑	0	0	0	0	1	Not used
L	L	↑	0	0	0	1	0	Not used
L	L	↑	0	0	0	1	1	Not used
L	L	↑	0	0	1	0	0	Not used
L	L	↑	0	0	1	0	1	Not used
L	L	↑	0	0	1	1	0	Not used
L	L	↑	0	0	1	1	1	Not used
L	L	↑	0	1	0	0	0	2A to 1A and 1B to 2B
L	L	↑	0	1	0	0	1	2A to 1A
L	L	↑	0	1	0	1	0	2B to 1B
L	L	↑	0	1	0	1	1	2A to 1A and 2B to 1B
L	L	↑	0	1	1	0	0	1A to 2A and 1B to 2B
L	L	↑	0	1	1	0	1	1A to 2A
L	L	↑	0	1	1	1	0	1B to 2B
L	L	↑	0	1	1	1	1	1A to 2A and 2B to 1B
L	L	↑	1	0	0	0	0	1A to 1B and 2B to 2A
L	L	↑	1	0	0	0	1	1A to 1B
L	L	↑	1	0	0	1	0	2A to 2B
L	L	↑	1	0	0	1	1	1A to 1B and 2A to 2B
L	L	↑	1	0	1	0	0	1B to 1A and 2A to 2B
L	L	↑	1	0	1	0	1	1B to 1A
L	L	↑	1	0	1	1	0	2B to 2A
L	L	↑	1	0	1	1	1	1B to 1A and 2B to 2A
L	L	↑	1	1	0	0	0	2B to 1A and 2A to 1B
L	L	↑	1	1	0	0	1	1B to 2A
L	L	↑	1	1	0	1	0	2B to 1A
L	L	↑	1	1	0	1	1	2B to 1A and 1B to 2A
L	L	↑	1	1	1	0	0	1A to 2B and 1B to 2A
L	L	↑	1	1	1	0	1	1A to 2B
L	L	↑	1	1	1	1	0	2A to 1B
L	L	↑	1	1	1	1	1	1A to 2B and 2A to 1B

## DC ELECTRICAL CHARACTERISTICS OVER OPERATING RANGE

Following Conditions Apply Unless Otherwise Specified:

Operating Condition:  $T_A = -40^{\circ}\text{C}$  to  $+85^{\circ}\text{C}$

Symbol	Parameter	Test Conditions		Min.	Typ. <sup>(1)</sup>	Max.	Unit
V <sub>IH</sub>	Input HIGH Voltage Level	V <sub>CC</sub> = 2.3V to 2.7V		1.7	—	—	V
		V <sub>CC</sub> = 2.7V to 3.6V		2	—	—	
V <sub>IL</sub>	Input LOW Voltage Level	V <sub>CC</sub> = 2.3V to 2.7V		—	—	0.7	V
		V <sub>CC</sub> = 2.7V to 3.6V		—	—	0.8	
I <sub>IH</sub>	Input HIGH Current	V <sub>CC</sub> = 3.6V	V <sub>I</sub> = V <sub>CC</sub>	—	—	±5	μA
I <sub>IL</sub>	Input LOW Current	V <sub>CC</sub> = 3.6V	V <sub>I</sub> = GND	—	—	±5	μA
I <sub>OZH</sub> I <sub>OZL</sub>	High Impedance Output Current (3-State Output pins)	V <sub>CC</sub> = 3.6V		—	—	±10	μA
		V <sub>O</sub> = GND		—	—	±10	
V <sub>IK</sub>	Clamp Diode Voltage	V <sub>CC</sub> = 2.3V, I <sub>IN</sub> = -18mA		—	-0.7	-1.2	V
V <sub>H</sub>	Input Hysteresis	V <sub>CC</sub> = 3.3V		—	100	—	mV
I <sub>CC1</sub> I <sub>CC2</sub> I <sub>CC3</sub>	Quiescent Power Supply Current	V <sub>CC</sub> = 3.6V V <sub>IN</sub> = GND or V <sub>CC</sub>		—	0.1	40	μA
ΔI <sub>CC</sub>	Quiescent Power Supply Current Variation	One input at V <sub>CC</sub> - 0.6V, other inputs at V <sub>CC</sub> or GND		—	—	750	μA

**NOTE:**

1. Typical values are at V<sub>CC</sub> = 3.3V, +25°C ambient.

## BUS-HOLD CHARACTERISTICS

Symbol	Parameter <sup>(1)</sup>	Test Conditions		Min.	Typ. <sup>(2)</sup>	Max.	Unit
I <sub>BHH</sub> I <sub>BHL</sub>	Bus-Hold Input Sustain Current	V <sub>CC</sub> = 3V		—	—	—	μA
		V <sub>I</sub> = 0.8V		75	—	—	
I <sub>BHH</sub> I <sub>BHL</sub>	Bus-Hold Input Sustain Current	V <sub>CC</sub> = 2.3V		—	—	—	μA
		V <sub>I</sub> = 0.7V		45	—	—	
I <sub>BHHO</sub> I <sub>BHLO</sub>	Bus-Hold Input Overdrive Current	V <sub>CC</sub> = 3.6V		—	—	±500	μA

**NOTES:**

1. Pins with Bus-Hold are identified in the pin description.
2. Typical values are at V<sub>CC</sub> = 3.3V, +25°C ambient.

## OUTPUT DRIVE CHARACTERISTICS

Symbol	Parameter	Test Conditions <sup>(1)</sup>		Min.	Max.	Unit
V <sub>OH</sub>	Output HIGH Voltage	V <sub>CC</sub> = 2.3V to 3.6V	I <sub>OH</sub> = - 0.1mA	V <sub>CC</sub> - 0.2	—	V
		V <sub>CC</sub> = 2.3V	I <sub>OH</sub> = - 6mA	2	—	
		V <sub>CC</sub> = 2.3V	I <sub>OH</sub> = - 12mA	1.7	—	
		V <sub>CC</sub> = 2.7V		2.2	—	
		V <sub>CC</sub> = 3V		2.4	—	
		V <sub>CC</sub> = 3V	I <sub>OH</sub> = - 24mA	2	—	
V <sub>OL</sub>	Output LOW Voltage	V <sub>CC</sub> = 2.3V to 3.6V	I <sub>OL</sub> = 0.1mA	—	0.2	V
		V <sub>CC</sub> = 2.3V	I <sub>OL</sub> = 6mA	—	0.4	
			I <sub>OL</sub> = 12mA	—	0.7	
		V <sub>CC</sub> = 2.7V	I <sub>OL</sub> = 12mA	—	0.4	
		V <sub>CC</sub> = 3V	I <sub>OL</sub> = 24mA	—	0.55	

**NOTE:**

- V<sub>IH</sub> and V<sub>IL</sub> must be within the min. or max. range shown in the DC ELECTRICAL CHARACTERISTICS OVER OPERATING RANGE table for the appropriate V<sub>CC</sub> range. T<sub>A</sub> = - 40°C to + 85°C.

## OPERATING CHARACTERISTICS, T<sub>A</sub> = 25°C

Symbol	Parameter	Test Conditions	V <sub>CC</sub> = 2.5V ± 0.2V	V <sub>CC</sub> = 3.3V ± 0.3V	Unit
			Typical	Typical	
CPD	Power Dissipation Capacitance Outputs enabled	C <sub>L</sub> = 0pF, f = 10Mhz	—	60	pF
CPD	Power Dissipation Capacitance Outputs disabled		—	60	

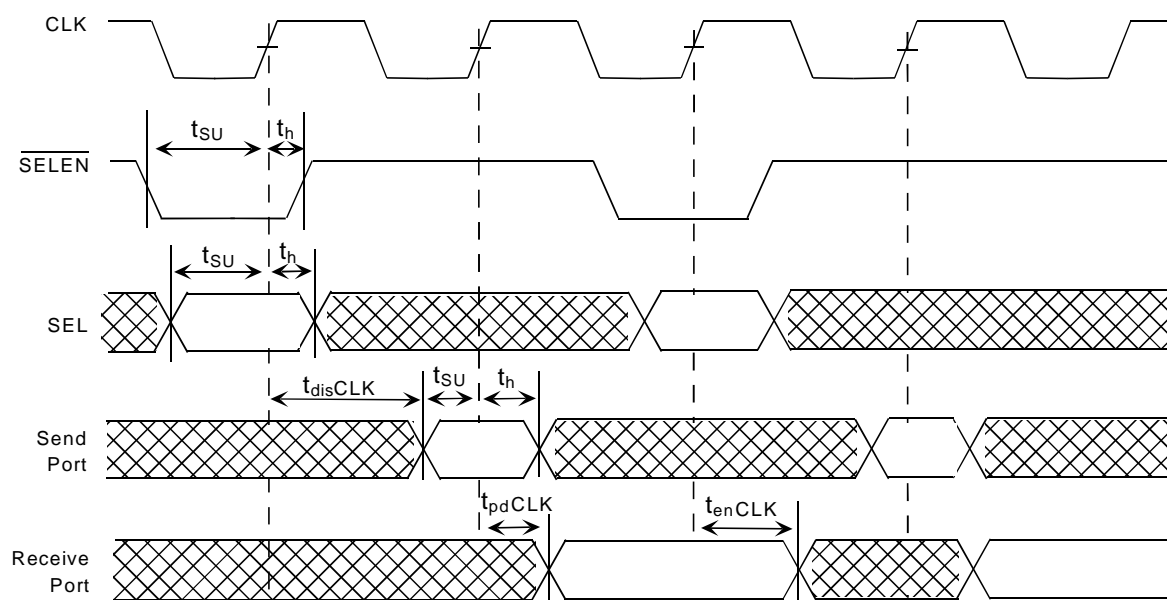
### SWITCHING CHARACTERISTICS<sup>(1)</sup>

Symbol	Parameter	V <sub>CC</sub> = 2.5V ± 0.2V		V <sub>CC</sub> = 2.7V		V <sub>CC</sub> = 3.3V ± 0.3V		Unit
		Min.	Max.	Min.	Max.	Min.	Max.	
f <sub>MAX</sub>		120	—	120	—	120	—	MHz
t <sub>PLH</sub>	Propagation Delay CLK to xAx or xBx	1.5	6	—	5.7	1.5	5.1	ns
t <sub>PZH</sub>	Output Enable Time CLK to xAx or xBx	2.4	6.9	—	6.3	2	5.7	ns
t <sub>PHZ</sub>	Output Disable Time CLK to xAx or xBx	2.3	7.1	—	6	2	5.7	ns
t <sub>PLZ</sub>	Output Disable Time $\overline{PRE}$ to xAx or xBx	2.8	7.5	—	6.5	2.5	6.1	ns
t <sub>SU</sub>	Set-up Time, HIGH or LOW, xAx or xBx before CLK↑	1.9	—	1.9	—	1.4	—	ns
t <sub>SU</sub>	Set-up Time, HIGH or LOW, SEL before CLK↑	5.1	—	4.2	—	3.5	—	ns
t <sub>SU</sub>	Set-up Time, HIGH or LOW, $\overline{SELE\overline{N}}$ before CLK↑	2.5	—	2.5	—	1.8	—	ns
t <sub>SU</sub>	Set-up Time, HIGH or LOW, $\overline{PRE}$ before CLK↑	1	—	1	—	0.7	—	ns
t <sub>H</sub>	Hold Time, HIGH or LOW, xAx or xBx after CLK↑	0.8	—	0.8	—	1	—	ns
t <sub>H</sub>	Hold Time, HIGH or LOW, SEL after CLK↑	0	—	0	—	0	—	ns
t <sub>H</sub>	Hold Time, HIGH or LOW, $\overline{SELE\overline{N}}$ after CLK↑	0.5	—	0.5	—	0.8	—	ns
t <sub>w</sub>	Pulse Duration, CLK HIGH or LOW	4.2	—	4.2	—	3	—	ns
t <sub>sk(0)</sub>	Output Skew <sup>(2)</sup>	—	—	—	—	—	500	ps

**NOTES:**

1. See TEST CIRCUITS AND WAVEFORMS. T<sub>A</sub> = - 40°C to + 85°C.
2. Skew between any two outputs of the same package and switching in the same direction.

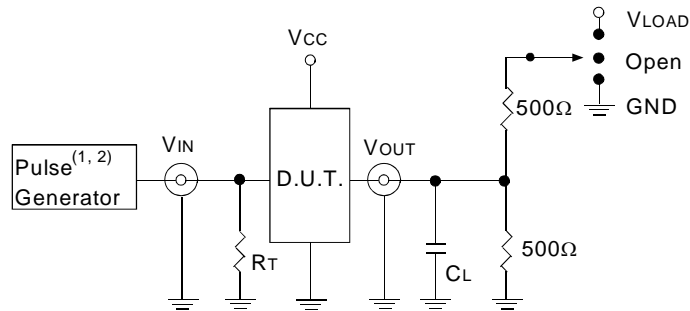
### TIMING DIAGRAM



## TEST CIRCUITS AND WAVEFORMS

### TEST CONDITIONS

Symbol	V <sub>CC</sub> <sup>(1)</sup> =3.3V±0.3V	V <sub>CC</sub> <sup>(1)</sup> =2.7V	V <sub>CC</sub> <sup>(2)</sup> =2.5V±0.2V	Unit
V <sub>LOAD</sub>	6	6	2 x V <sub>CC</sub>	V
V <sub>IH</sub>	2.7	2.7	V <sub>CC</sub>	V
V <sub>T</sub>	1.5	1.5	V <sub>CC</sub> / 2	V
V <sub>LZ</sub>	300	300	150	mV
V <sub>HZ</sub>	300	300	150	mV
C <sub>L</sub>	50	50	30	pF



Test Circuit for All Outputs

#### DEFINITIONS:

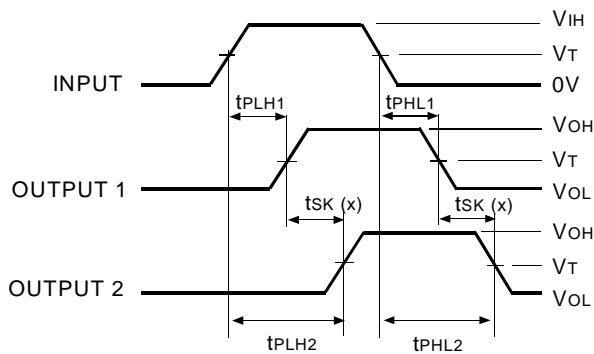
C<sub>L</sub> = Load capacitance: includes jig and probe capacitance.  
R<sub>T</sub> = Termination resistance: should be equal to Z<sub>OUT</sub> of the Pulse Generator.

#### NOTES:

1. Pulse Generator for All Pulses: Rate ≤ 1.0MHz; t<sub>r</sub> ≤ 2.5ns; t<sub>r</sub> ≤ 2.5ns.
2. Pulse Generator for All Pulses: Rate ≤ 1.0MHz; t<sub>r</sub> ≤ 2ns; t<sub>r</sub> ≤ 2ns.

### SWITCH POSITION

Test	Switch
Open Drain Disable Low Enable Low	V <sub>LOAD</sub>
Disable High Enable High	GND
All Other Tests	Open

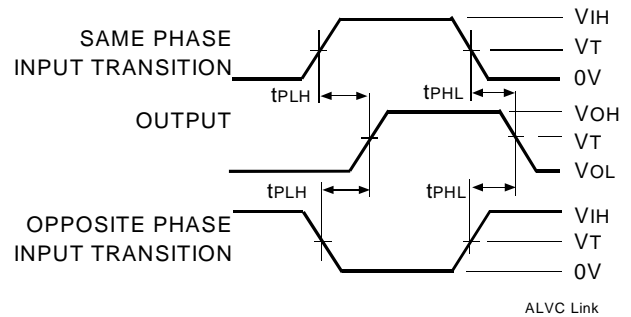


$$tsk(x) = |t_{PLH2} - t_{PLH1}| \text{ or } |t_{PHL2} - t_{PHL1}|$$

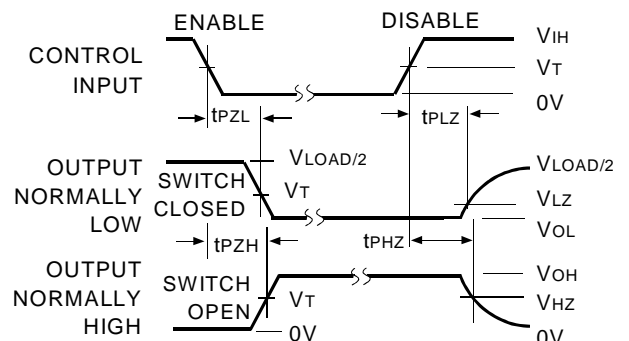
Output Skew - tsk(x)

#### NOTES:

1. For tsk(o) OUTPUT1 and OUTPUT2 are any two outputs.
2. For tsk(b) OUTPUT1 and OUTPUT2 are in the same bank.



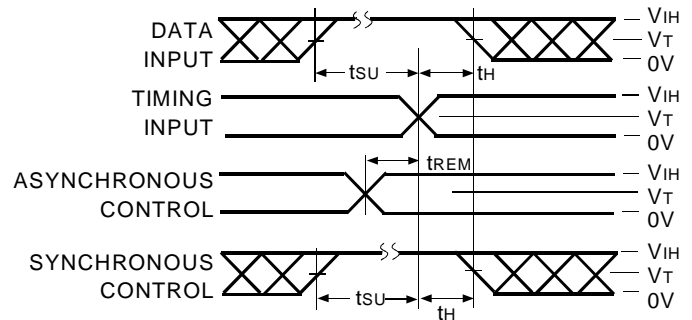
Propagation Delay



Enable and Disable Times

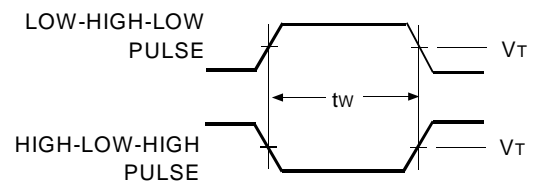
#### NOTE:

1. Diagram shown for input Control Enable-LOW and input Control Disable-HIGH.



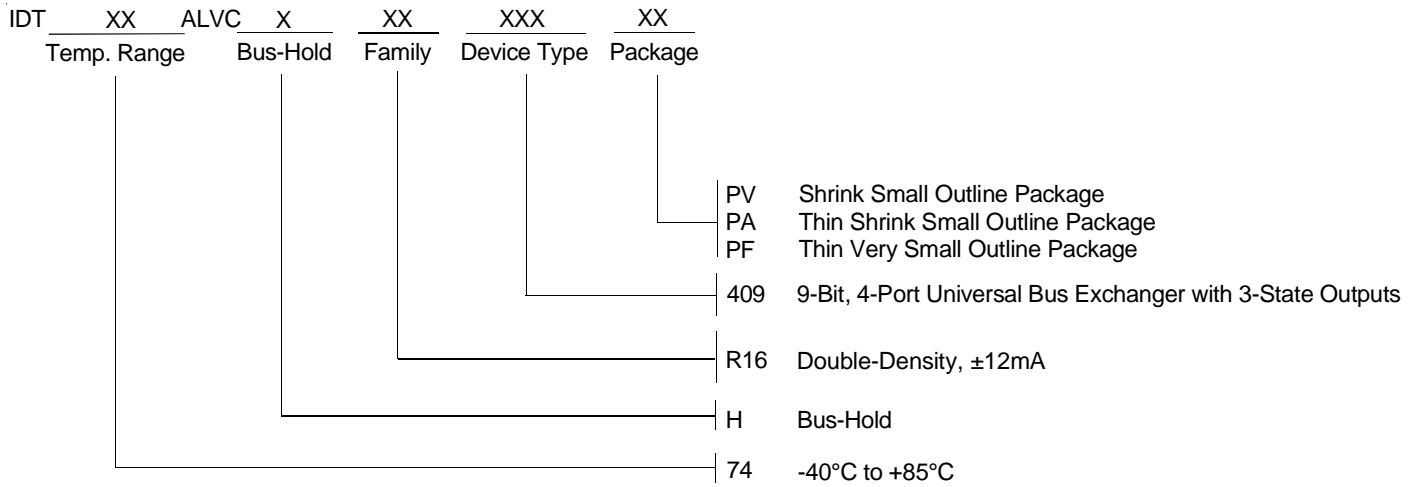
ALVC Link

Set-up, Hold, and Release Times



Pulse Width

## ORDERING INFORMATION



**CORPORATE HEADQUARTERS**  
 2975 Stender Way  
 Santa Clara, CA 95054

**for SALES:**  
 800-345-7015 or 408-727-6116  
 fax: 408-492-8674  
 www.idt.com

**for Tech Support:**  
 logichelp@idt.com  
 (408) 654-6459