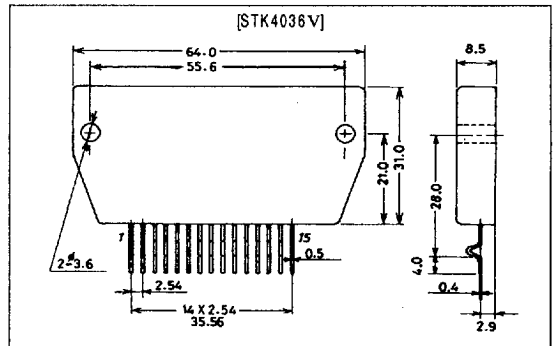


STK4036V**SANYO****AF Power Amplifier (Split Power Supply)
(50W min, THD = 0.08%)****Features**

- Small-sized package permitting audio sets to be made slimmer (up to 700W)
- The STK4024V series are available for output 20W to 100W(200W) and are pin-compatible. (120W to 200W: 18 pins)
- Facilitates thermal design of slim stereo sets.
- Distortion 0.08% due to current mirror circuit
- Possible to design electronic supplementary circuits (pop noise muting at the time of power ON/OFF, load short protector, thermal shutdown)

Package Dimensions

unit: mm

4062**Specifications****Maximum Ratings** at $T_a = 25^\circ\text{C}$

Parameter	Symbol	Conditions	Ratings	Unit
Maximum supply voltage	$V_{CC \text{ max}}$		± 52	V
Thermal resistance	θ_{j-c}		1.8	$^\circ\text{C}/\text{W}$
Junction temperature	T_j		150	$^\circ\text{C}$
Operating substrate temperature	T_c		125	$^\circ\text{C}$
Storage temperature	T_{stg}		-30 to +125	$^\circ\text{C}$
Available time for load short-circuit	t_s^*	$V_{CC} = \pm 35\text{V}, R_L = 8\Omega, f = 50\text{Hz}, P_O = 50\text{W}$	2	s

Recommended Operating Conditions at $T_a = 25^\circ\text{C}$

Parameter	Symbol	Conditions	Ratings	Unit
Recommended supply voltage	V_{CC}		± 35	V
Load resistance	R_L		8	Ω

SANYO Electric Co., Ltd. Semiconductor Business Headquarters
TOKYO OFFICE Tokyo Bldg., 1-10, 1 Chome, Ueno, Taito-ku, TOKYO, 110 JAPAN

11497HA (ID) / N148TA / 9208MO,TS No. 2133-1/9

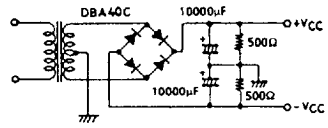
7997076 0020634 625

93

Operating Characteristics at $T_a = 25^\circ\text{C}$, $V_{CC} = \pm 35\text{V}$, $R_L = 8\Omega$, $V_G = 40\text{dBf} = 1\text{kHz}$, $R_g = 600\Omega$, 100kHz-LPF ON , R_L : noninductive load

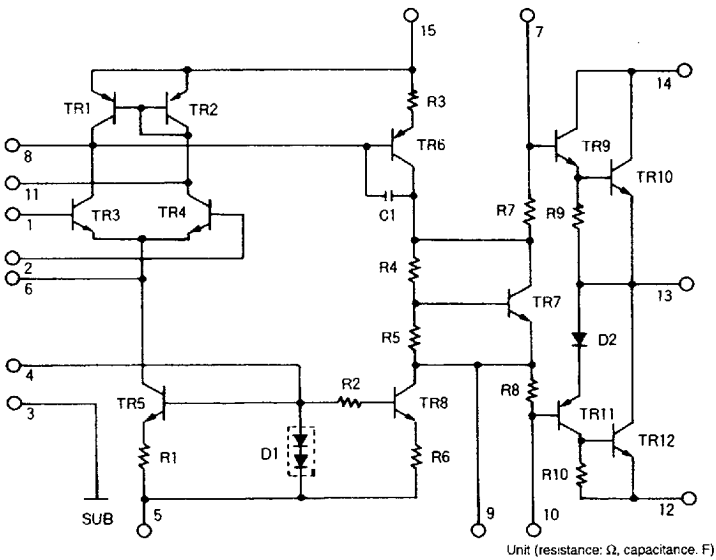
Parameter	Symbol	Conditions	min	typ	max	Unit
Quiescent current	I_{CCO}	$V_{CC} = \pm 42\text{V}$	15	-	120	mA
Output power	$P_{O(1)}$	THD = 0.08%, $f = 20\text{Hz}$ to 20kHz	50	-	-	W
	$P_{O(2)}$	$V_{CC} = \pm 31\text{V}$, THD = 0.2%, $R_L = 4\Omega$, $f = 1\text{kHz}$	55	-	-	W
Total harmonic distortion	THD	$P_O = 1.0\text{W}$, $f = 1\text{kHz}$	-	-	0.08	%
Frequency response	f_L, f_H	$P_O = 1.0\text{W}$, -3dB	-	20 to 50k	-	Hz
Input impedance	r_i	$P_O = 1.0\text{W}$, $f = 1\text{kHz}$	-	55	-	k Ω
Output noise voltage	V_{NO}^{**}	$V_{CC} = \pm 42\text{V}$, $R_g = 10\text{k}\Omega$	-	-	1.2	mVrms
Neural voltage	V_N	$V_{CC} = \pm 42\text{V}$	-70	0	+70	mV

Note: For Power supply at the time of test, use a constant-voltage power supply unless otherwise specified.
 * For measurement of the available time for load short-circuit and output noise voltage, use the specified transformer power supply shown right.
 ** The output noise voltage is represented by the peak value on rms scale (VTVM) of average value indicating type. The noise voltage waveform includes no flicker noise.

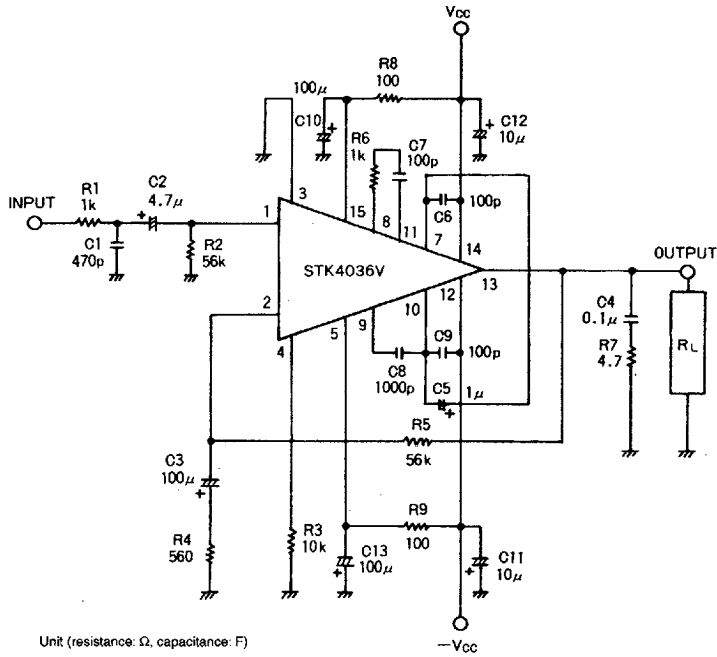


Specified Transformer Power Supply (Equivalent to MG-200)

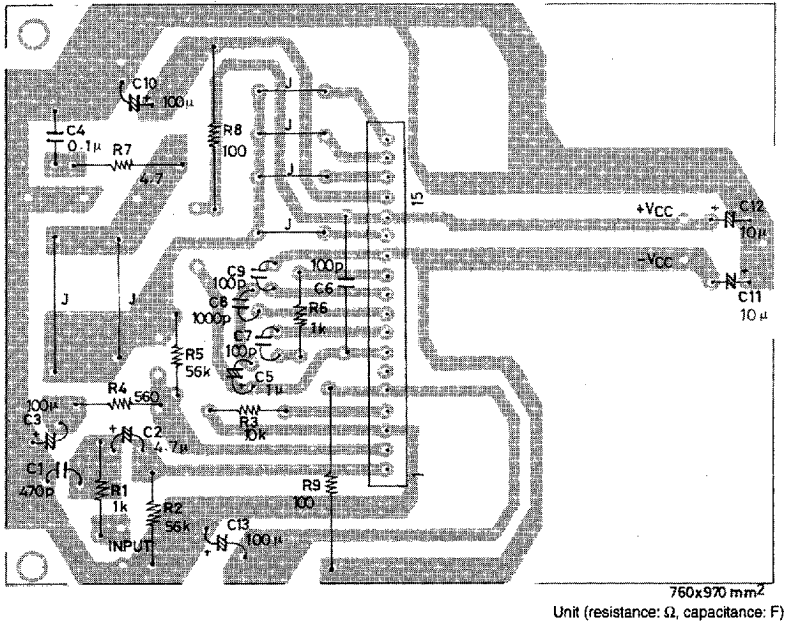
Equivalent Circuit

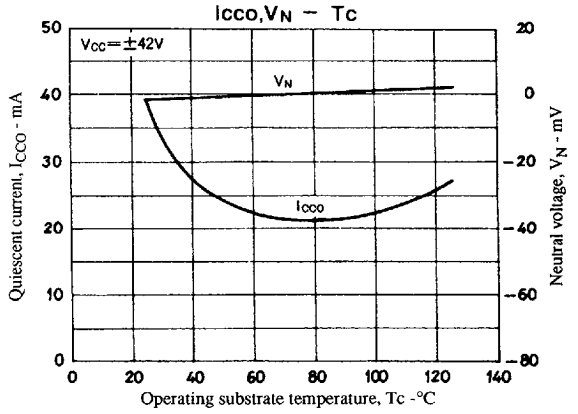
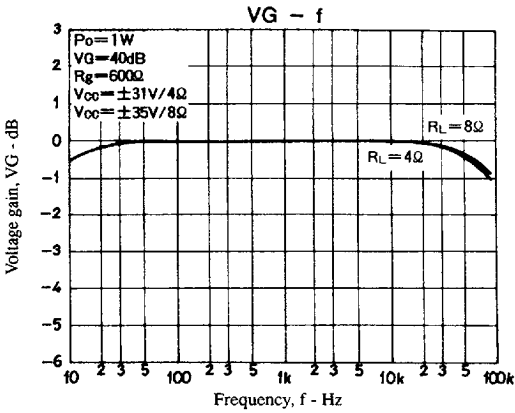
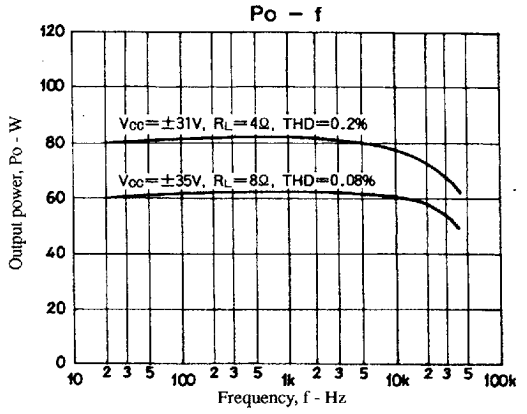
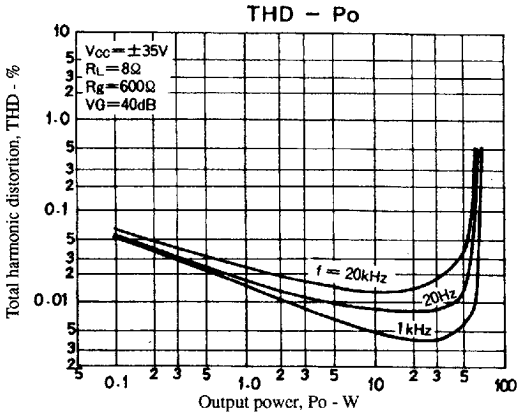
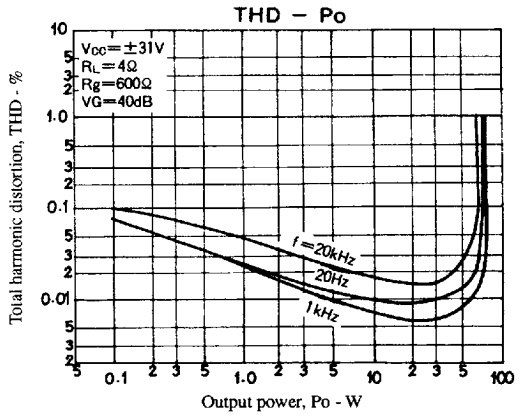
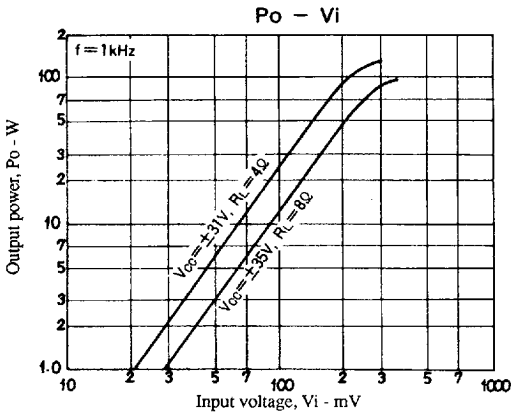


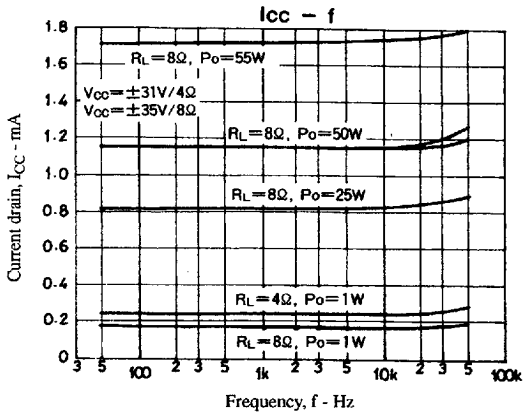
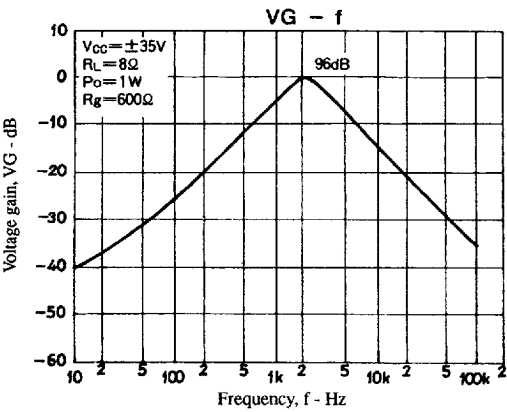
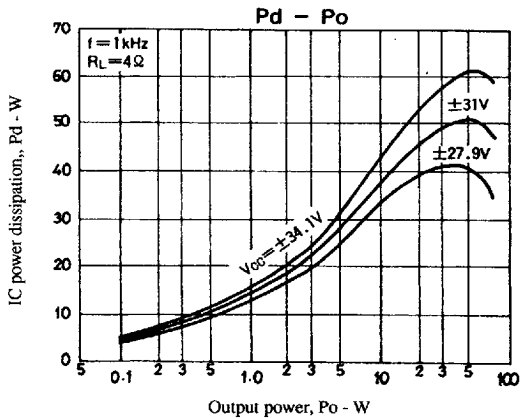
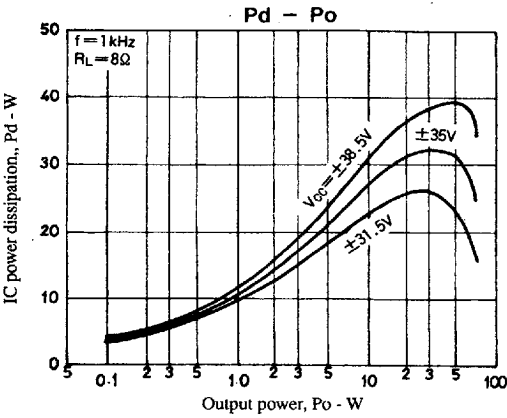
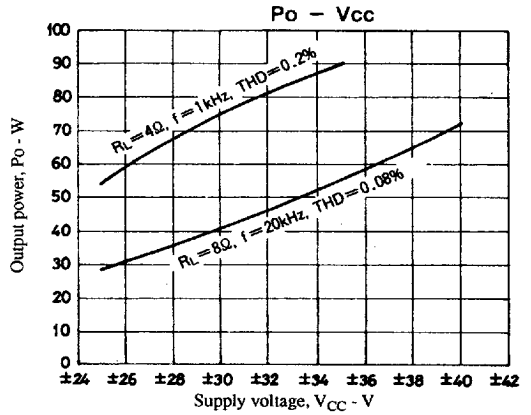
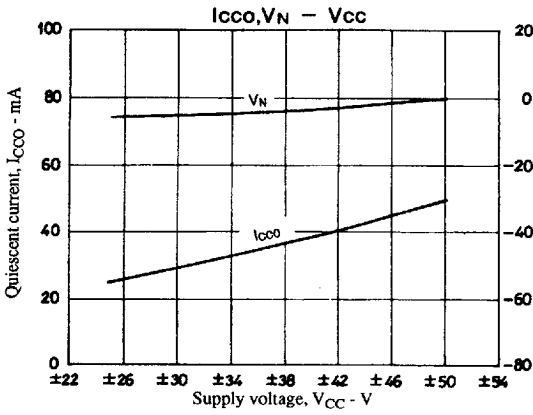
Sample Application Circuit: 50W min AF Power Amplifier

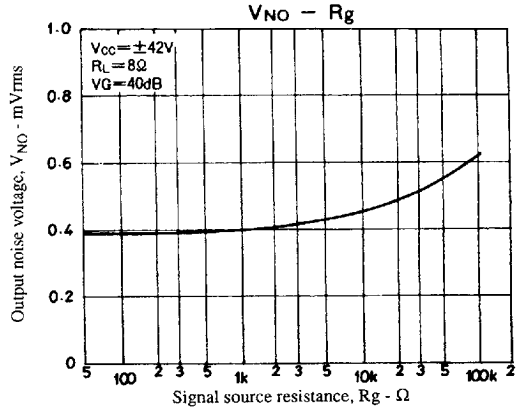
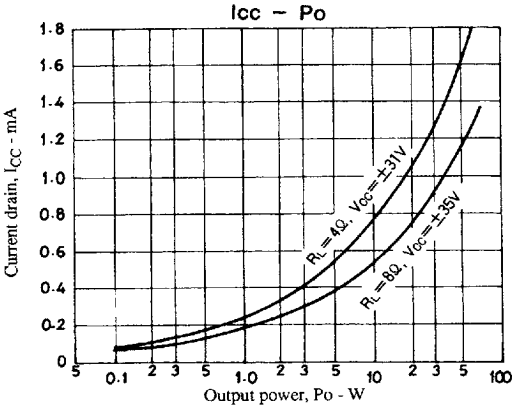


Sample Printed Circuit Pattern for Application Circuit (Cu-foiled side)

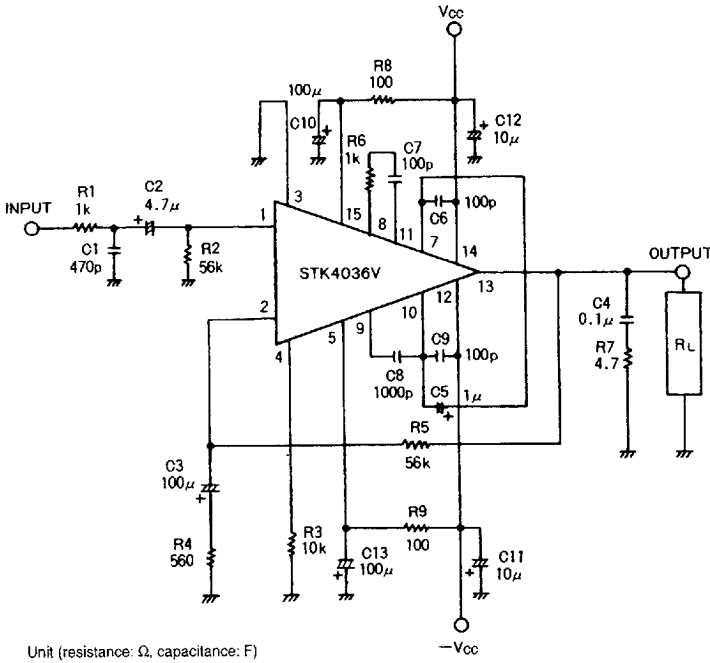








Description of External Parts



Unit (resistance: Ω , capacitance: F)

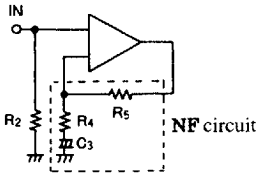
R1, C1: Input filter circuit
 • Used to reduce noise at high frequencies.

C2: Input coupling capacitor
 • Used to block DC current. When the reactance of the capacitor increases at low frequencies, the dependence of $1/f$ noise on signal source resistance causes the output noise to worsen. It is better to decrease the reactance.

R2: Input bias resistor
 • Used to bias the input pin to zero.
 • Affects VN stability. (See NF circuit.)
 • Because of differential input, this resistor fixes the input resistance practically.

R4, R5: NFB circuit (AC NF circuit). It is desirable that the error of the resistor value is 1% or less.

C3 (R2)



C3: Capacitor for AC NF
 R4, R5: Used to set VG

- VG setting obtained by using R4, R5

$$\log 20 \cdot \frac{R_5}{R_4} \text{ 40dB is recommended.}$$

- Low cutoff frequency setting obtained by using R4, C3.

$$f_L = \frac{1}{2\pi \cdot R_4 \cdot C_3} \text{ [Hz]}$$

To change VG setting, it is desirable to change R4. In this case, the low cutoff frequency setting needs to be rechecked. When VG setting is changed by changing R5, R5 must be made equal to R2 to ensure VN balance. If the resistor value is increased more than the existing value, it may be hard to ensure VN balance and the temperature characteristic of VN may be also deteriorated.

- R3: Differential constant-current bias resistor
- R6, R7: Used for oscillation blocking and phase compensation
- R7, C4: Used for oscillation blocking and phase compensation

(C4: A polyester film capacitor is recommended.)

- C6, C9: Used for oscillation blocking and phase compensation

Power amp stage (Must be connected near the pin)
 C6: Power amp on (+) side
 C9: Power amp on (-) side

- C8: Used for oscillation blocking and phase compensation

(Used for oscillation blocking before clip at power amp stage)

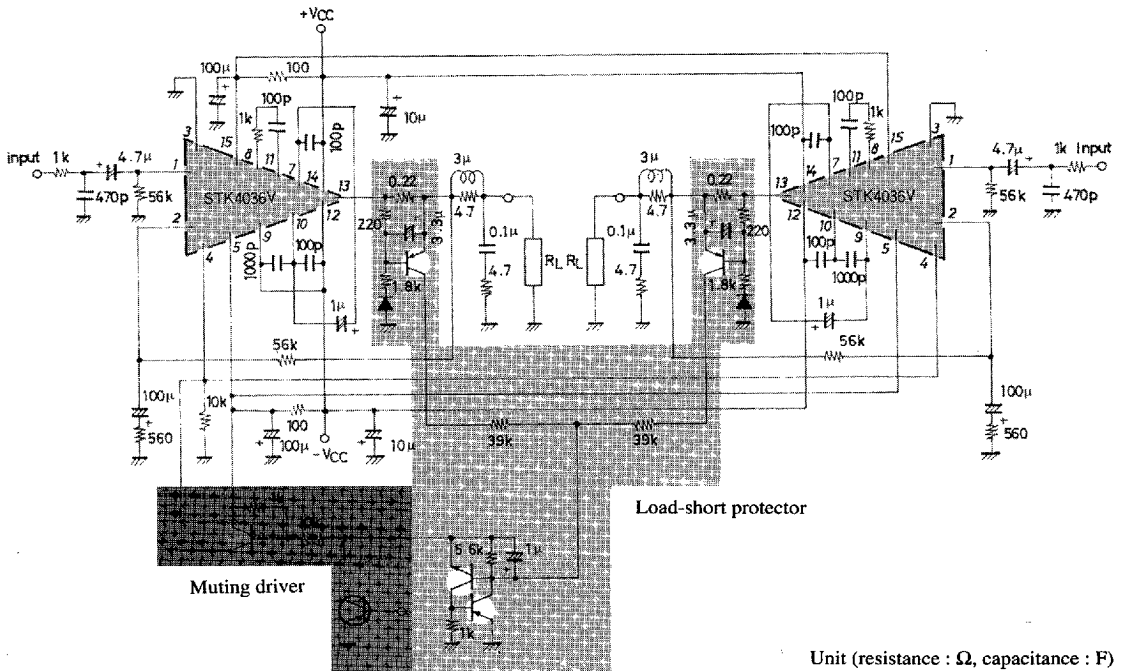
- C5: Used for oscillation blocking and distortion improvement

- R8, C10: Ripple filter circuit on (+) side

- R9, R13: Ripple filter circuit on (-) side

- C11, C12: Used for oscillation blocking
 - Used to decrease the power supply impedance to operate the IC stably. Must be connected near the IC pin. It is desirable to use an electrolytic capacitor.

Sample Application Circuit (protection circuit and muting circuit)



Unit (resistance : Ω, capacitance : F)

Thermal Design

The IC power dissipation of the STK4036V at the IC-operated mode is 32W max. at load resistance 8Ω and 51.3W max. at load resistance 4Ω for continuous sine wave as shown in Figs.1 and 2.

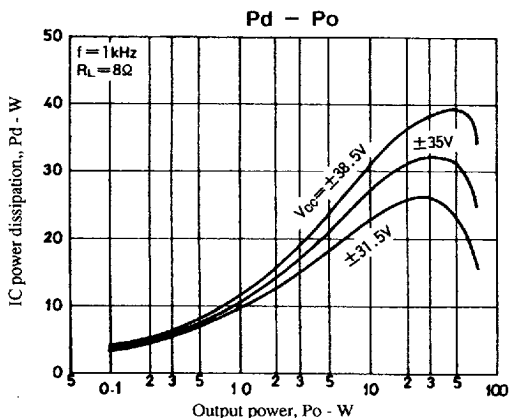


Figure 1. STK4036V Pd - Po (RL = 8Ω)

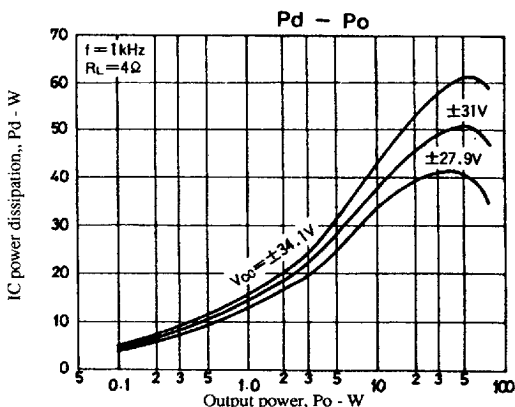


Figure 2. STK4036V Pd - Po (RL = 4Ω)

In an actual application where a music signal is used, it is impractical to estimate the power dissipation based on the continuous signal as shown above, because too large a heat sink must be used. It is reasonable to estimate the power dissipation as 1/10 Po max. (EIAJ).

That is, Pd = 21.2 W at 8Ω, Pd = 29W at 4Ω

Thermal resistance θc-a of a heat sink for this IC power dissipation (Pd) is fixed under conditions 1 and 2 shown below.

Condition 1: $T_C = Pd \times \theta_{c-a} + T_a \leq 125^\circ\text{C} \dots\dots (1)$

where Ta: Specified ambient temperature

Tc: Operating case temperature

Condition 2: $T_C = Pd \times (\theta_{c-a}) + Pd/2 \times (\theta_{j-c}) + T_a \leq 150^\circ\text{C} \dots\dots (2)$

where Tj: Junction temperature of power transistor

Assuming that the power dissipation is shared equally between the two power transistors, thermal resistance θj-c is 1.8°C/W and

$Pd \times (\theta_{c-a} + 1.8/2) + T_a \leq 150^\circ\text{C} \dots\dots (3)$

Thermal resistance θc-a of a heat sink must satisfy inequalities (1) and (3).

Fig.3 shows the relation between Pd and θc-a given from (1) and (3) with Ta as a parameter.

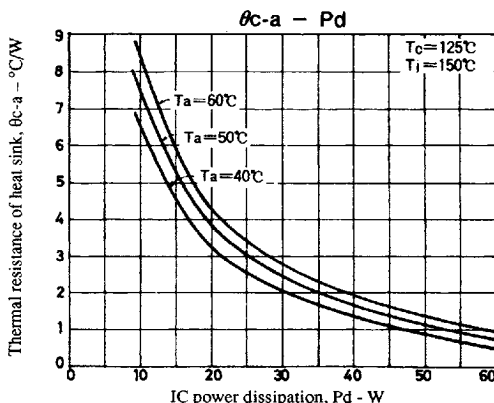


Figure 3. STK 4036V θc-a - Pd

[Example] The thermal resistance of a heat sink is obtained when the ambient temperature specified for a stereo amplifier is 50°C .

Assuming $V_{\text{CC}} = \pm 35\text{V}$, $R_{\text{L}} = 8\Omega$, $V_{\text{CC}} = \pm 31\text{V}$, $R_{\text{L}} = 4\Omega$,

$R_{\text{L}} = 8\Omega$: $\text{Pd}1 = 21.2\text{W}$ at $1/10 \text{Po}$ max.

$R_{\text{L}} = 4\Omega$: $\text{Pd}2 = 29\text{W}$ at $1/10 \text{Po}$ max.

The thermal resistance of a heat sink is obtained from Fig.3.

$R_{\text{L}} = 8\Omega$: $\theta_{\text{c-a}1} = 3.54^{\circ}\text{C/W}$

$R_{\text{L}} = 4\Omega$: $\theta_{\text{c-a}2} = 2.5^{\circ}\text{C/W}$

T_{j} when a heat sink is used is obtained from (3).

$R_{\text{L}} = 8\Omega$: $T_{\text{j}} = 143.7^{\circ}\text{C}$

$R_{\text{L}} = 4\Omega$: $T_{\text{j}} = 149.0^{\circ}\text{C}$

This design is based on the use of a constant-voltage regulated power supply. Pd differs when a transformer power supply is used. Redesign must be made based on Pd that suits the regulation of each transformer.