

Power Resistor for Mounting onto a Heatsink Thick Film Technology



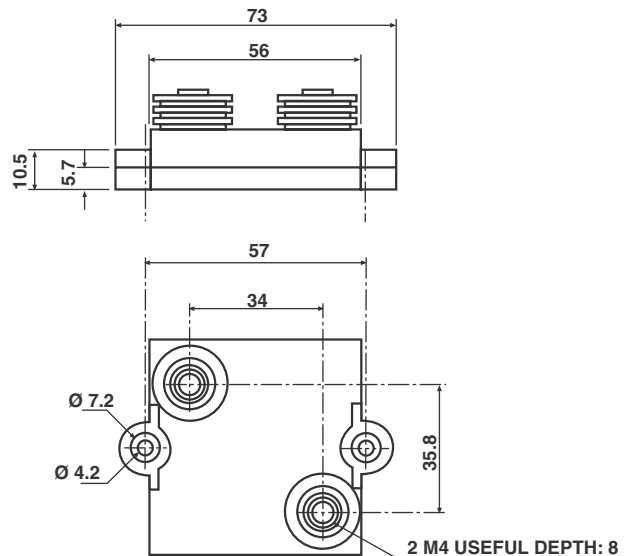
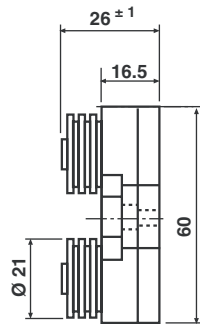
FEATURES

- High power rating: 250 W
- High overload capability up to 4 times Nominal Power (see energy curve)
- Easy mounting
- Low thermal radiation of the case


**RoHS
COMPLIANT**

Developed for specific applications such as railroad electrical traction, this series can bear short overloads as high as fifteen times the nominal power. Designed to be mounted onto a heatsink, these power resistors exhibit remarkable characteristics.

DIMENSIONS in millimeters

RPS 250D


• Tolerance unless stated: ± 0.2 mm

MECHANICAL SPECIFICATIONS

Mechanical Protection	Insulated case
Substrate	Alumina onto aluminum base
Resistive Element	Cermet
End Connections	Screws M4, (M5 on request)
Tightening Torque on connections	2 Nm
Weight	170 g ± 10 %

ENVIRONMENTAL SPECIFICATIONS

Thermal Resistance	R_{TH} (j-c) 0.22 °C/W
Temperature Range	- 55 °C + 125 °C
Climatic Category	55/125/56

ELECTRICAL SPECIFICATIONS

Resistance Range	0.24 Ω to 1M E24 series
Tolerances	± 1 % to ± 10 %
Power Rating chassis mounted	
250 W	at 50 °C continuous
1000 W	at 25 °C for 10 seconds
Temperature Coefficient	
Standard	± 250 ppm/°C < 1 ± 150 ppm/°C > 1
Limiting Element Voltage	5 kVRMS
Dielectric Strength	L connections 7 kVRMS H connections 12 kVRMS
Insulation Resistance	> 10^6 M Ω
Inductance	< 50 nH
Capacitance Resistor/ground	< 40 pF < 120 pF

PERFORMANCE		
TESTS	CONDITIONS	TYPICAL DRIFTS
Momentary Overload	NF EN 140 000 CEI 115_1 4 Pr/10 s	< ± (0.25 % + 0.05 Ω)
Rapid Temperature Change	NF EN 140 000 CEI 68214 Test Na 5 cycles - 55 °C + 125 °C	< ± (0.25 % + 0.05 Ω)
Load Life	NF EN 140 000 CEI 115_1 1000 h Pr at 70 °C	< ± (0.5 % + 0.05 Ω)
Humidity (steady state)	MIL STD 202 Method 103 B and D 56 days R.H. 95 %	< ± (0.5 % + 0.05 Ω)

RESISTANCE VALUE IN RELATION TO TOLERANCE AND TCR		
Ohmic Value	< 1 Ω	> 1 Ω
Standard Tolerance	± 5 %	± 5 %
Standard TCR	± 250 ppm/°C	± 150 ppm/°C
Tolerance On Request	± 1 % - ± 2 % - ± 10 %	

CHOICE OF THE HEATSINK

The user must choose the heatsink according to the working conditions of the component (power, room temperature). Maximum working temperature must not exceed 125 °C. The dissipated power is simply calculated by the following ratio:

$$P = \frac{\Delta T}{[R_{TH} (j-c) + R_{TH} (c-a)]} \quad (1)$$

P: expressed in W

T: difference between maximum working temperature and room temperature.

R_{TH}: (j-c): thermal resistance value measured between resistive layer and outer side of the resistor. It is the thermal resistance of the component: (see specifications environmental paragraph).

R_{TH}: (c-a): thermal resistance value measured between outer side of the resistor and room temperature. It is the thermal resistance of the heatsink itself (type, shape) and the quality of the fastening device.

Example:

R_{TH}: (c-a) for RPS 250 power dissipation 180 W at + 50 °C room temperature.

$$\Delta T \leq 125 \text{ °C} - 50 \text{ °C} \leq 75 \text{ °C}$$

$$R_{TH} (j-c) + R_{TH} (c-a) = \frac{\Delta T}{P} = \frac{75}{180} = 0.42 \text{ °C/W}$$

$$R_{TH} (j-c) = 0.22 \text{ °C/W}$$

$$R_{TH} (c-a) \leq 0.42 \text{ °C/W} - 0.22 \text{ °C/W} \leq 0.20 \text{ °C/W}$$

RECOMMENDATIONS FOR MOUNTING ONTO A HEATSINK

Surfaces in contact must be carefully cleaned. The heatsink must have an acceptable flatness: from 0.05 mm to 0.1 mm/100 mm. Roughness of the heatsink must be around 6.3 μm. In order to improve thermal conductivity, surfaces in contact should be coated with a silicone grease (type SI 340 from Rhône-Poulenc or Dow 340 from Dow Corning).

The fastening of the resistor to the heatsink is under pressure control of two screws (tightening torque 3 Nm).

In order to improve the dissipation, either forced-air cooling or liquid cooling may be used.

Do not forget to respect an insulation value between two resistors (dielectric strength in dry air 1 kV/mm).

In any case the hot spot temperature, measured locally on the case must not exceed 125 °C.

Test should be performed by the user.



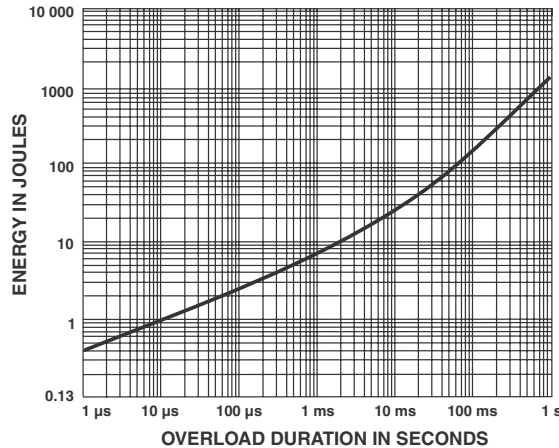
OVERLOADS

In any case the applied voltage must be lower than 2.5 Un. $U_{maxi} < 2.5 U_n < 12\,500\text{ V}$.

Short time overload: 4 Pn/10 seconds

Accidental overload: The values indicated on the graph below are applicable to resistors in air or mounted onto a heatsink.

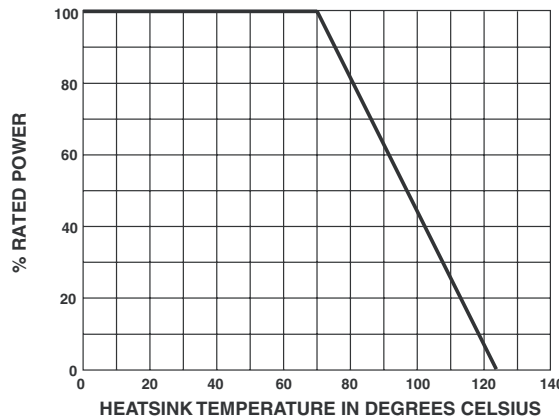
ENERGY CURVE



POWER RATING CHART

The temperature of the heatsink should be maintained in the limit specified.

To improve the thermal conductivity, surfaces in contact should be coated with a silicone grease.



Packaging Box of 15 units

MARKING

Series, style, ohmic value (in Ω), tolerance in %, manufacturing date, VISHAY trademark

ORDERING INFORMATION							
RPS	250	DL	250U	1 %	ZA3	B015	e
MODEL	STYLE	CONNECTIONS	RESISTANCE VALUE	TOLERANCE	CUSTOM DESIGN	PACKAGING	LEAD (Pb)-FREE
		Optional H: dielectric strength 12 kV L: dielectric strength 7 kV		Optional ± 1 % ± 2 % ± 5 % ± 10 %	Options on request special TCR, shape, etc.		

SAP PART NUMBERING GUIDELINES							
RPS	0250	DL	2500	F	B	ZA3	
MODEL	STYLE	CONNECTIONS	OHMIC VALUE	TOLERANCE	PACKAGING	DESIGN	



Notice

Specifications of the products displayed herein are subject to change without notice. Vishay Intertechnology, Inc., or anyone on its behalf, assumes no responsibility or liability for any errors or inaccuracies.

Information contained herein is intended to provide a product description only. No license, express or implied, by estoppel or otherwise, to any intellectual property rights is granted by this document. Except as provided in Vishay's terms and conditions of sale for such products, Vishay assumes no liability whatsoever, and disclaims any express or implied warranty, relating to sale and/or use of Vishay products including liability or warranties relating to fitness for a particular purpose, merchantability, or infringement of any patent, copyright, or other intellectual property right.

The products shown herein are not designed for use in medical, life-saving, or life-sustaining applications. Customers using or selling these products for use in such applications do so at their own risk and agree to fully indemnify Vishay for any damages resulting from such improper use or sale.