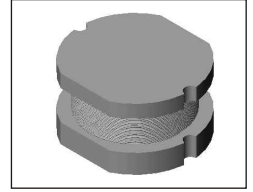


SMT Power Inductor

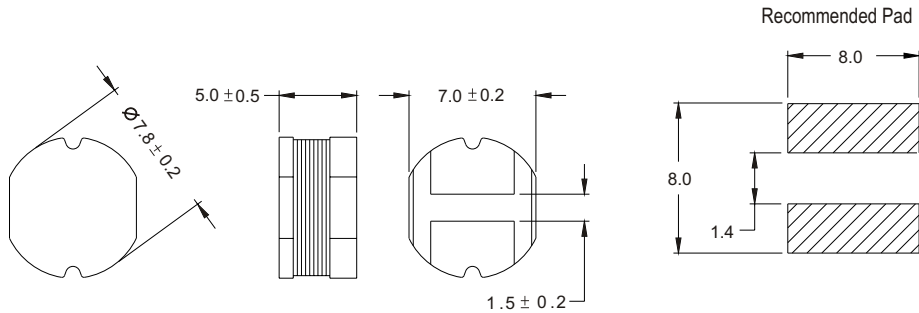
SI85 Type

Features

- Low profile (5.5mm max. height) SMD type.
- Unshielded.
- Self-leads, suitable for high density mounting.
- High energy storage and low DCR.
- Provided with embossed carrier tape packing.
- Ideal for power source circuits, DC-DC converter, DC-AC inverters inductor application.
- In addition to the standard versions shown here, custom inductors are available to meet your exact requirements.

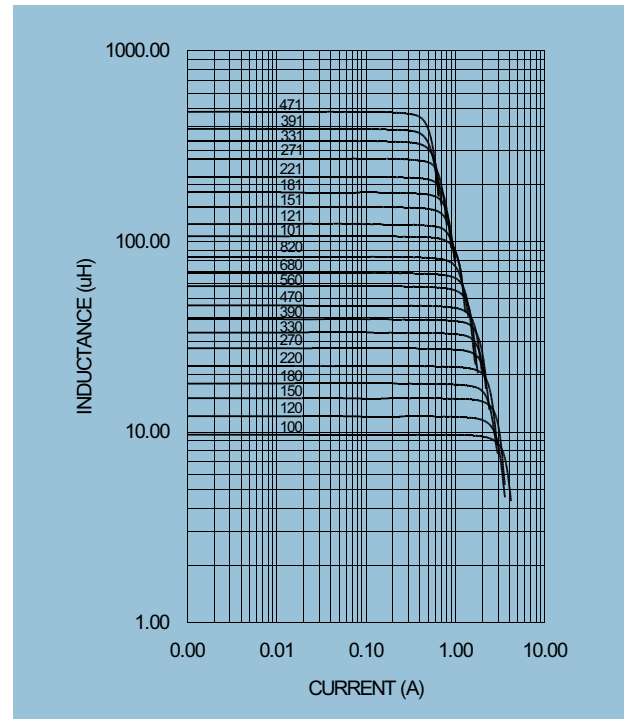


Mechanical Dimension: Unit: mm



Electrical Characteristics:

| PART NO. | L* (uH) | DCR (Ω) MAX | I _{RATED} ** (A dc) |
|------------|---------|-------------|------------------------------|
| SI85 - 100 | 10 | 0.07 | 2.3 |
| SI85 - 120 | 12 | 0.08 | 2.0 |
| SI85 - 150 | 15 | 0.09 | 1.8 |
| SI85 - 180 | 18 | 0.10 | 1.6 |
| SI85 - 220 | 22 | 0.11 | 1.5 |
| SI85 - 270 | 27 | 0.12 | 1.4 |
| SI85 - 330 | 33 | 0.13 | 1.3 |
| SI85 - 390 | 39 | 0.16 | 1.2 |
| SI85 - 470 | 47 | 0.18 | 1.1 |
| SI85 - 560 | 56 | 0.24 | 0.94 |
| SI85 - 680 | 68 | 0.28 | 0.85 |
| SI85 - 820 | 82 | 0.37 | 0.78 |
| SI85 - 101 | 100 | 0.43 | 0.72 |
| SI85 - 121 | 120 | 0.47 | 0.66 |
| SI85 - 151 | 150 | 0.64 | 0.58 |
| SI85 - 181 | 180 | 0.71 | 0.51 |
| SI85 - 221 | 220 | 0.96 | 0.49 |
| SI85 - 271 | 270 | 1.11 | 0.42 |
| SI85 - 331 | 330 | 1.26 | 0.40 |
| SI85 - 391 | 390 | 1.77 | 0.36 |
| SI85 - 471 | 470 | 1.96 | 0.34 |



★ Tolerance of inductance
10~470uH±10%

★★ I_{RATED}: rated current. ΔL<10%, ΔT<45°C at I_{RATED}

★★★ Operating temperature: -20°C to 105°C (including self-temperature rise)

★★★★ Test condition at 25°C: 1KHz, 1V



DELTA ELECTRONICS, INC.

(TAOYUAN PLANT CPBG) 252, SAN YING ROAD, KUEISAN INDUSTRIAL ZONE, TAOYUAN SHIEN, 333, TAIWAN, R.O.C.

TEL: 886-3-3591968; FAX: 886-3-3591991

<http://www.deltawww.com>