

24–35 GHz GaAs MMIC High Power SPDT Reflective PIN Switch



AP640R7-00

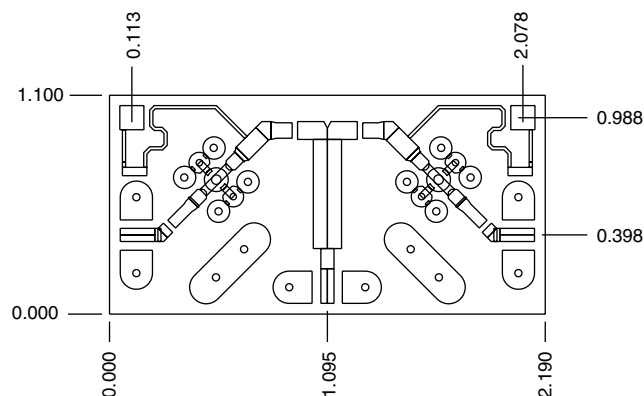
Features

- Broad Bandwidth
- Low Loss, < 1.5 dB
- High Isolation, > 28 dB
- Return Loss, < -12 dB
- Fast Switching Speed, < 4 ns
- High Power Handling, 40 dBm Peak, 36 dBm CW

Description

Alpha's high power, single pole, double throw PIN diode switch is a robust, high performance switch. It is ideal for low loss, high isolation applications, particularly where broad bandwidths and high power handling is required. The chip uses Alpha's proven PIN diode technology, and is based upon MBE layers for the highest uniformity and repeatability. The diodes employ surface passivation to ensure a rugged, reliable part with through-substrate via holes and gold-based backside metallization to facilitate an epoxy die attach process. The GaAs MMIC employs a specialized high power PIN diode in each arm and an on-chip bias network. Chips are measured on a 100% basis at 24, 28, 31 and 35 GHz for insertion loss, isolation, input and output return losses, and also at DC for diode breakdown voltage and turn on voltage.

Chip Outline



Dimensions indicated in mm.
All pads are ≥ 0.07 mm wide.
Chip thickness = 0.1 mm.

Absolute Maximum Ratings

Characteristic	Value
Operating Temperature	-55°C to +125°C
Storage Temperature	-65°C to +150°C
DC Reverse Bias	-100 V (-20 mA)
DC Forward Bias	+2.6 V (100 mA)
PIN	15 W

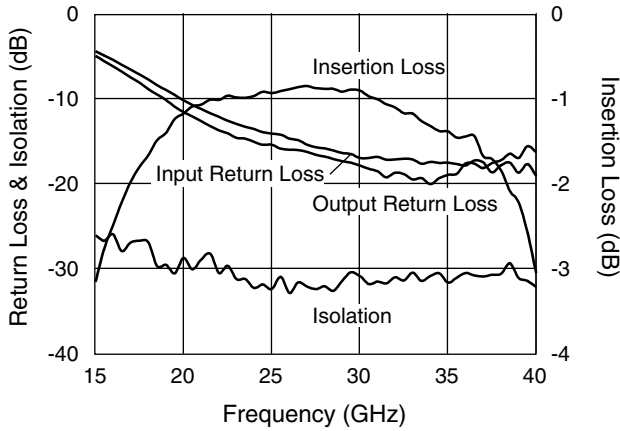
Electrical Specifications at 25°C

Parameter	Symbol	Condition	Min.	Typ. ²	Max.	Unit
Insertion Loss	IL	F = 24, 28, 31, 35 GHz		1.2	1.5	dB
Isolation	ISO	F = 24, 28, 31, 35 GHz	28	30		dB
Input Return Loss	RL _I	F = 24, 28, 31, 35 GHz		16	12	dB
Output Return Loss (Insertion State)	RL _O	F = 24, 28, 31, 35 GHz		17	14	dB
Leakage Current	I _{DD}	V = -50 V		2	20	μA
Switching Speed ¹				4		ns
Output Power at 1 dB Compression ¹	P _{1 dB}	F = 35 GHz		36		dBm

1. Not measured on a 100% basis.

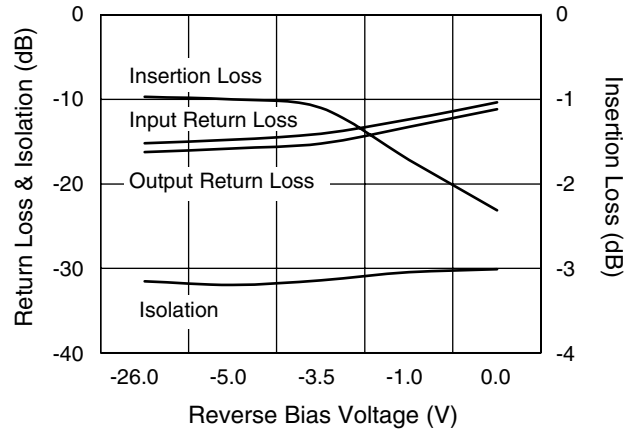
2. Typical represents the median parameter value across the specified frequency range for the median chip.

Typical Performance Data



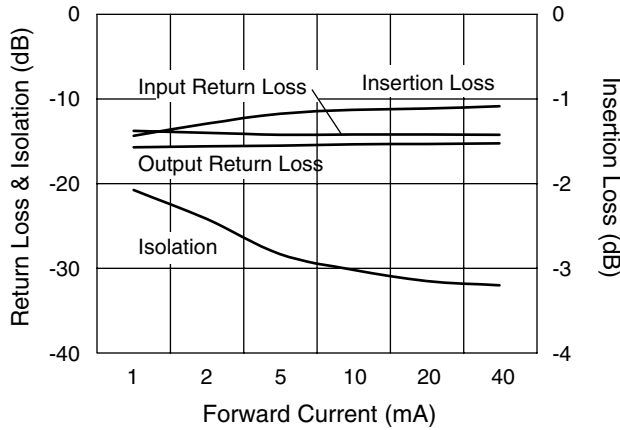
Performance vs. Frequency

Bias Conditions: $I_F = 20 \text{ mA}$, $V_R = -3.5 \text{ V}$



Performance vs. DC Bias

$F = 28 \text{ GHz}$, Forward Current = 20 mA



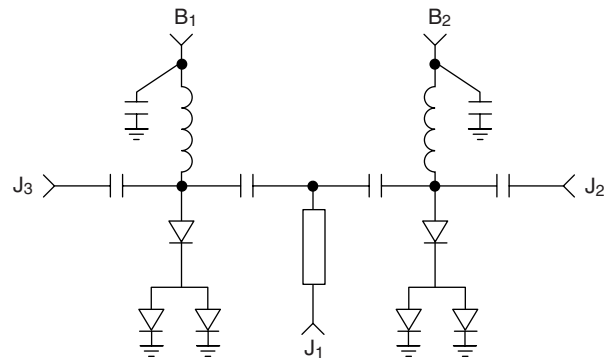
Performance vs. DC Bias

$F = 28 \text{ GHz}$, Reverse Voltage = -3.5 V

Truth Table

B_1	B_2	J_1-J_2
+20 mA	-5 V	Insertion Loss
-5 V	+20 mA	Isolation

Circuit Schematic



Bias Arrangement

