

PRODUCT SPECIFICATIONS

SMALL SIGNAL TRANSISTORS

7597360 RAYTHEON. SEMICONDUCTOR

94D 05535

D



High Current, High Speed Switches

7-35-17

CK

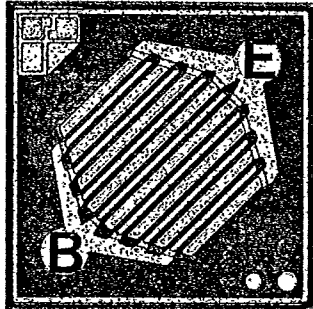
NPN

Description

The CK is a gold doped transistor useful for high current, high speed switching and core driver applications. The PNP complement is the GK.

Popular Types

- 2N3724/A
- 2N3725/A
- 2N3735/JAN
- 2N3736
- 2N3737/JAN
- 2N4013
- 2N4014



Dimensions

Die Size: 25 x 25 mils
 Bonding Pad Size:
 Base 4.2 mil Diameter
 Emitter 4.2 mil Diameter

Electrical Characteristics (at 25°C ambient temperature unless otherwise stated)

Parameter	Conditions	2N4013, 2N3724			2N4014, 2N3725			Units
		Min	Typ	Max	Min	Typ	Max	
BVCEO	IC = 10mA, IE = 0	30	-47		50	56		Volts
BVCES	IC = 10µA, VEB = 0	50	125		80	135		Volts
BVEBO	IE = 10µA, IC = 0	6	7.8		8	7.8		Volts
ICES	VCE = 50V, VEB = 0		0.2	10				µA
ICES	VCE = 80V, VEB = 0.					0.3	10	µA
HFE	IC = 10mA, VCE = 1V	30	105		30	105		
HFE	IC = 100mA, VCE = 1V	60	115	150	60	115	150	
HFE	IC = 100mA, VCE = 1V, TA = -55°C	30	70		30	70		
HFE	IC = 300mA, VCE = 1V	40	95		40	90		
HFE	IC = 500mA, VCE = 1V	35	65		35	60		
HFE	IC = 500mA, VCE = 1V, TA = -55°C	20	50		20	50		
HFE	IC = 800mA, VCE = 2V	25	55		20	50		
HFE	IC = 1A, VCE = 5V	30	65		25	60		
VCE(SAT)	IC = 10mA, IB = 1mA		-0.14	-0.25		0.14	0.25	Volts
VCE(SAT)	IC = 100mA, IB = 10mA		0.14	0.2		0.14	0.26	Volts
VCE(SAT)	IC = 300mA, IB = 30mA		0.250	0.32		0.26	0.4	Volts
VCE(SAT)	IC = 500mA, IB = 50mA		0.34	0.42		0.35	0.52	Volts
VCE(SAT)	IC = 800mA, IB = 80mA		0.44	0.65		0.45	0.8	Volts
VCE(SAT)	IC = 1A, IB = 100mA		0.55	0.75		0.6	0.95	Volts
VBE(SAT)	IC = 10mA, IB = 1mA		0.67	0.76		0.67	0.76	Volts
VBE(SAT)	IC = 100mA, IB = 10mA		0.77	0.86		0.77	0.86	Volts
VBE(SAT)	IC = 300mA, IB = 30mA		0.86	1.1		0.86	1.1	Volts
VBE(SAT)	IC = 500mA, IB = 50mA	0.8	0.92	1.1	0.8	0.92	1.1	Volts
VBE(SAT)	IC = 800mA, IB = 80mA		1.0	1.5		1.0	1.5	Volts
VBE(SAT)	IC = 1A, IB = 100mA		1.1	1.65		1.1	1.65	Volts
hfe	IC = 50mA, VCE = 10V, f = 100MHz	3	3.9		3	3.9		
ton	IC = 500mA, IB1 = 50mA (see Fig. 1)		15	35		15	35	nS
toff	IC = 500mA, IB1 = 50mA (see Fig. 1)		50	60		50	60	nS
Cob	IE = 0, VCB = 10V		3.5	12		3.5	10	pF
Cib	IC = 0, VEB = 0.5V		40	55		40	55	pF

T-35-17

High Current, High Speed Switches

CK Single Transistors

Product Type	Pkg.	Electrical Parameters @ 25°C Ambient Temperature								f _i MHz	C _{ob} pF	t _{off} nS
		BV _{CEO}	BV _{CEO}	BV _{CEO}	h _{FE} @ I _c /V _{CE}		V _{CE(SAT)} @ I _c /I _b					
		Min @ 10μA	Min @ 10mA	Min @ 10μA	Min/Max	mA/V	Volts Max	mA/mA				
2N3252	TO-5	60	30	5	30/-	150/1	0.3	150/15	200	12	70	
2N3253	TO-5	75	40	5	25/-	150/1	0.35	150/15	175	12	70	
2N3253J	TO-5	75	40	5	25/-	150/1	0.35	150/15	175	12	70	
2N3444	TO-5	80	50	5	20/-	150/1	0.35	150/15	150	12	70	
2N3444J	TO-5	80	50	5	20/-	150/1	0.35	150/15	175	12	70	
2N3554	TO-5	60	30	5	25/-	100/1	0.7	750/75	150	25	105	
2N3772	TO-5	80	60	6	40/150	100/1	0.22	100/10	300	10	100	
2N3724	TO-5	50	30	6	60/150	100/1	0.2	100/10	300	12	60	
2N3724A	TO-5	50	30	6	60/150	100/1	0.2	100/10	300	12	60	
2N3725	TO-5	80	50	6	60/150	100/1	0.26	100/10	300	12	60	
2N3725A	TO-5	80	50	6	60/150	100/1	0.26	100/10	300	12	60	
2N3734	TO-5	50	30	5	40/-	150/1	0.3	150/15	300	9	60	
2N2735	TO-5	75	50	5	40/-	150/1	0.3	150/15	250	9	60	
2N3735J,TX,V	TO-5	75	50	5	40/-	150/1	0.3	150/15	250	9	60	
2N3736	TO-46	50	30	5	40/-	150/1	0.3	150/15	300	9	60	
2N3737	TO-46	75	50	5	40/-	150/1	0.3	150/15	250	9	60	
2N3737J,TX,V	TO-46	75	50	5	40/-	150/1	0.3	150/15	250	9	60	
2N3830	TO-5	80	50	5	30/-	150/1	0.3	150/15	200	12	70	
2N3831	TO-5	70	40	5	35/-	150/1	0.3	150/15	200	12	70	
2N4013	TO-18	50	30	6	60/150	100/1	0.2	100/10	300	12	60	
2N4014	TO-18	80	50	6	60/150	100/1	0.26	100/10	300	10	60	
2N4046	TO-5	50	30	6	40/150	100/1	0.2	100/10	250	12	60	
2N4047	TO-5	80	50	6	40/150	100/1	0.26	100/10	250	10	60	

CK Quad Transistors

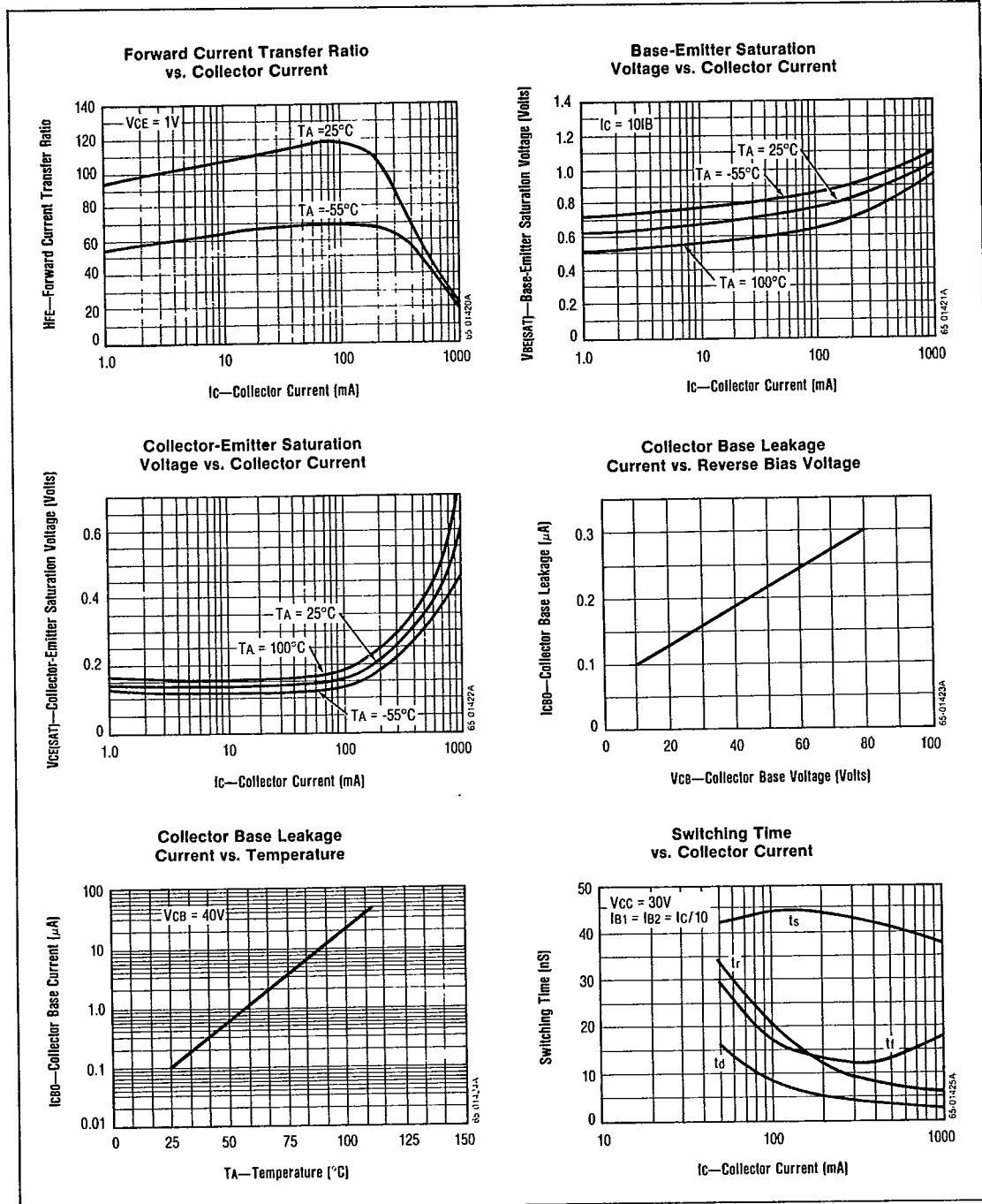
Product Type	Pkg.	Electrical Parameters @ 25°C Ambient Temperature								f _i MHz	C _{ob} pF	t _{off} nS
		BV _{CEO}	BV _{CEO}	BV _{CEO}	h _{FE} @ I _c /V _{CE}		V _{CE(SAT)} @ I _c /I _b					
		Min @ 10μA	Min @ 10mA	Min @ 10μA	Min/Max	mA/V	Volts Max	mA/mA				
SP3724QD	TO-116	50	30	6	60/150	100/1	0.2	100/10	300	12	60	
SP3724QDB	TO-116	50	30	6	60/150	100/1	0.2	100/10	300	12	60	
SP3724QF	TO-86	50	30	6	60/150	100/1	0.2	100/10	300	12	60	
SP3725QD	TO-116	80	50	6	60/150	100/1	0.26	100/10	300	12	60	
SP3725QDB	TO-116	80	50	6	60/150	100/1	0.26	100/10	300	12	60	
SP3725QF	TO-86	80	50	6	60/150	100/1	0.26	100/10	300	12	60	

QD = QUAD DIP (CERAMIC); QDB = QUAD DIP (PLASTIC); QF = QUAD FLATPAK

The information contained in this data sheet has been carefully compiled; However, it shall not by implication or otherwise become part of the terms and conditions of any subsequent sale. Raytheon's liability shall be determined solely by its standard terms and conditions of sale. No representation as to application or use or that the circuits are either licensed or free from patent infringement is intended or implied. Raytheon reserves the right to change the circuitry and other data at any time without notice and assumes no liability for inadvertent errors.

High Current, High Speed Switches

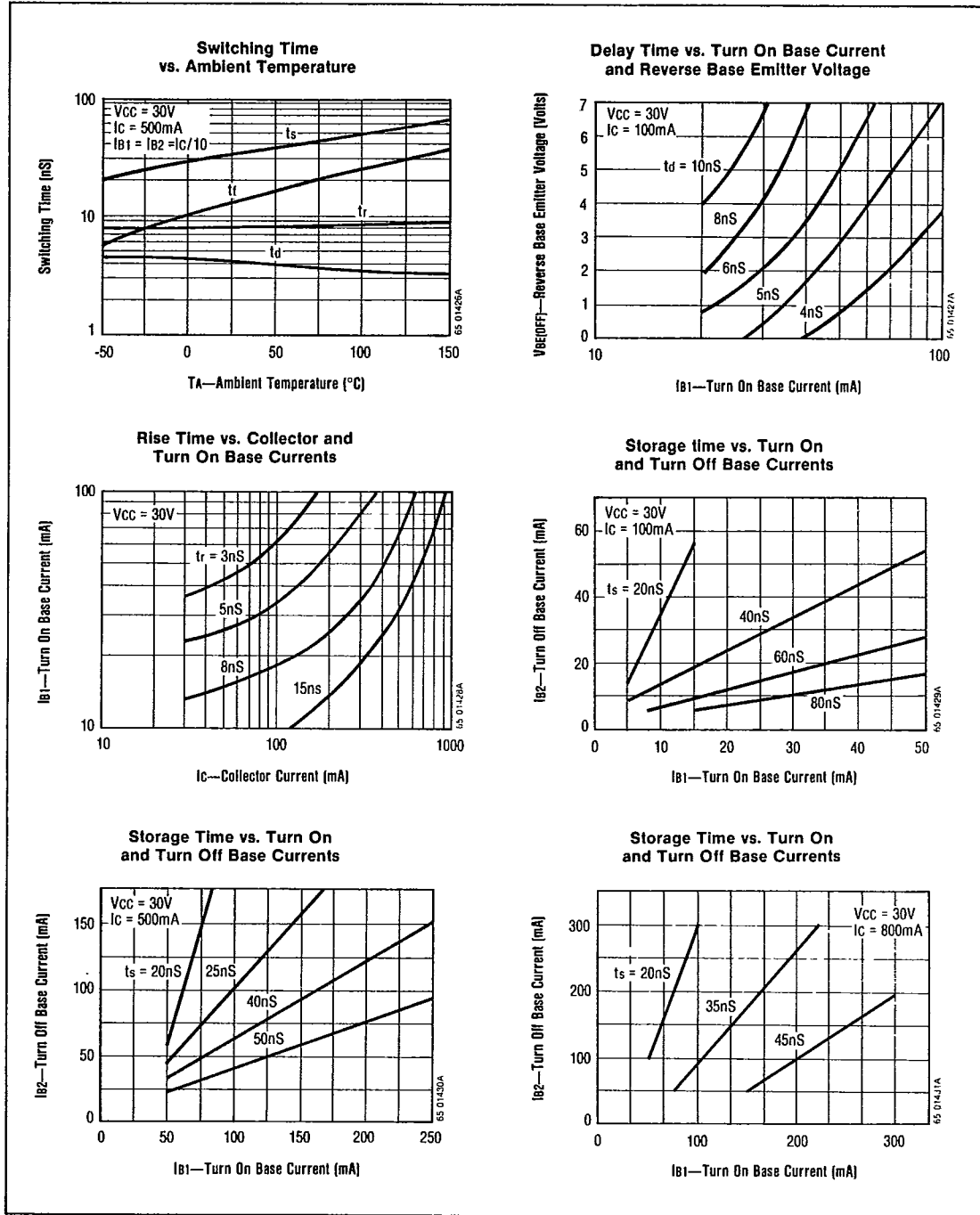
Typical Performance Characteristics



T-35-17

High Current, High Speed Switches

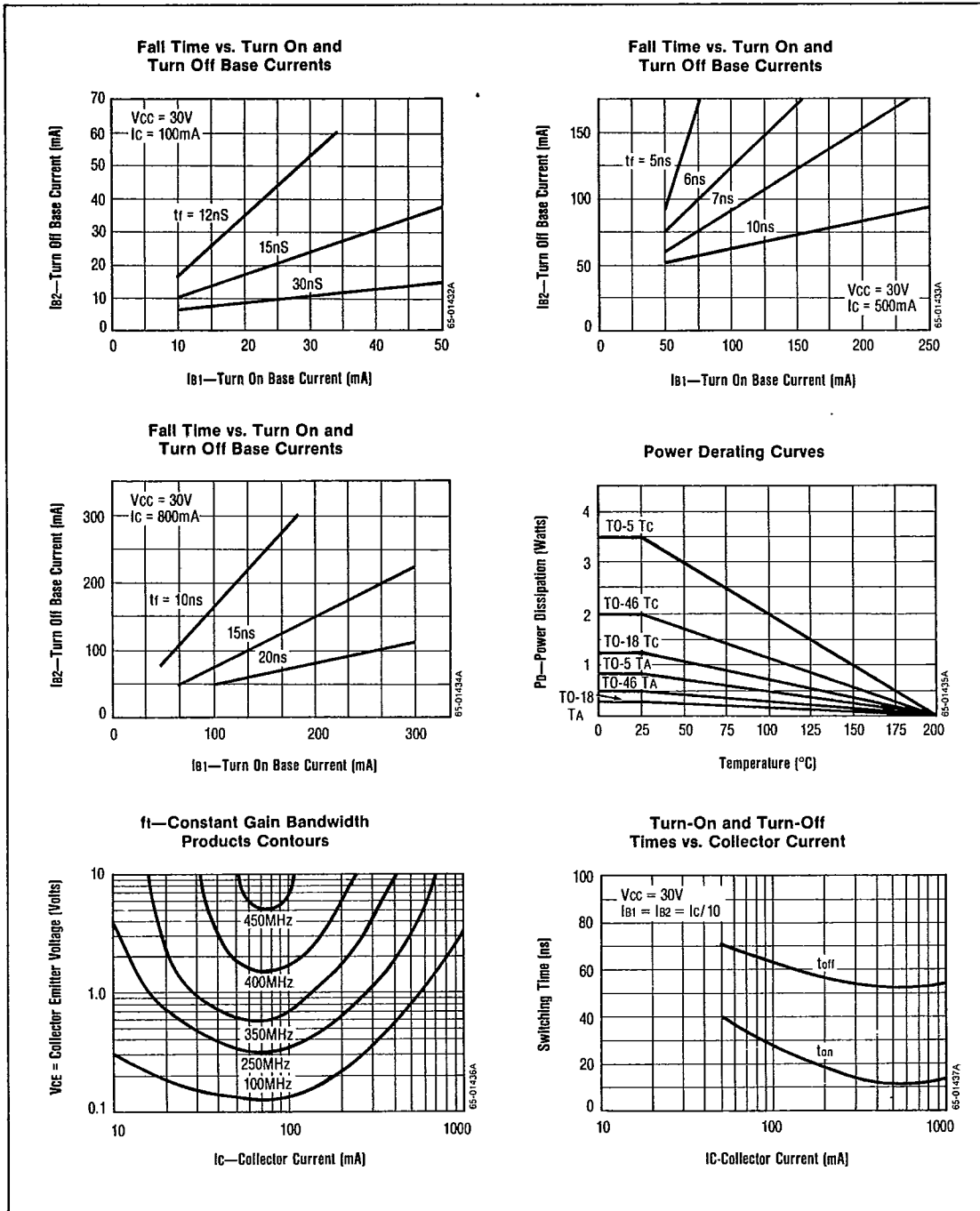
Typical Performance Characteristics (Continued)



T-35-17

High Current, High Speed Switches

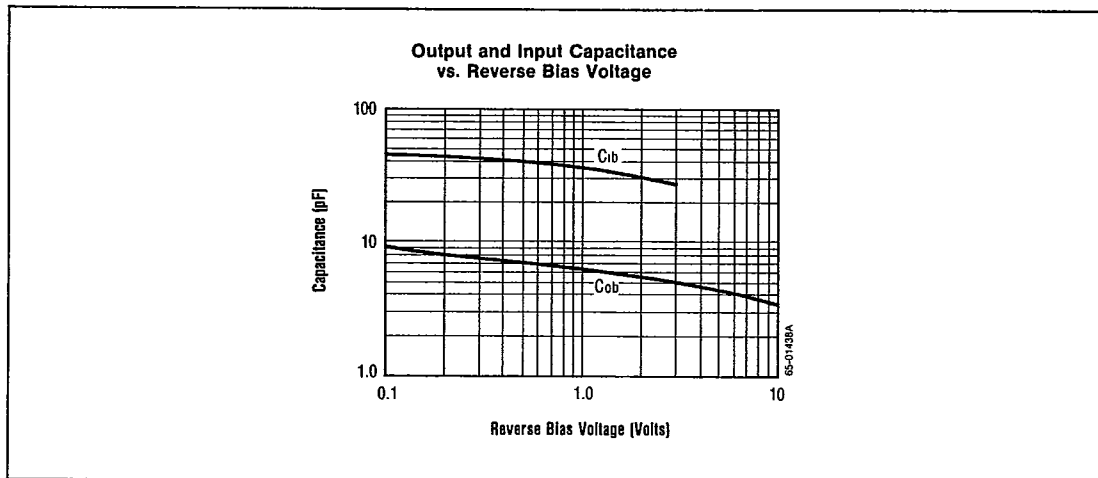
Typical Performance Characteristics (Continued)



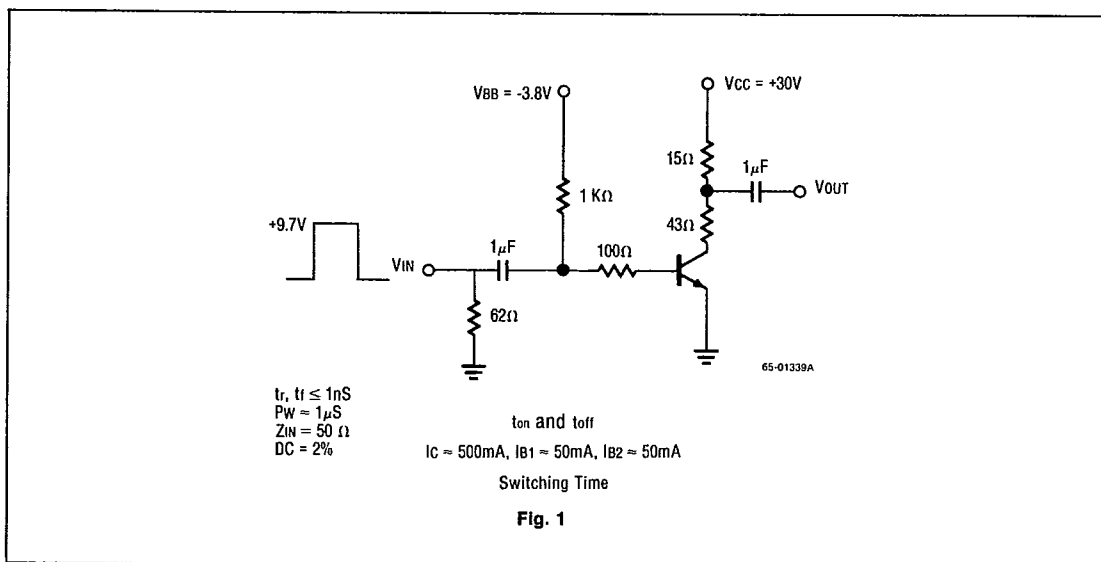
T-35-17

High Current, High Speed Switches

Typical Performance Characteristics (Continued)



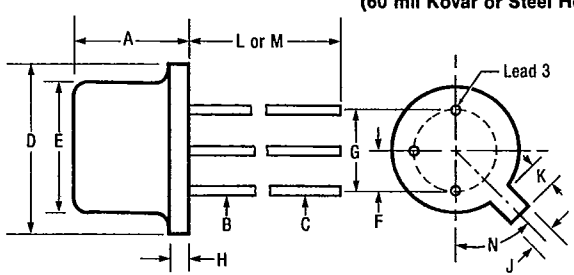
Switching Measurement Circuits



High Current, High Speed Switches

Packaging Information

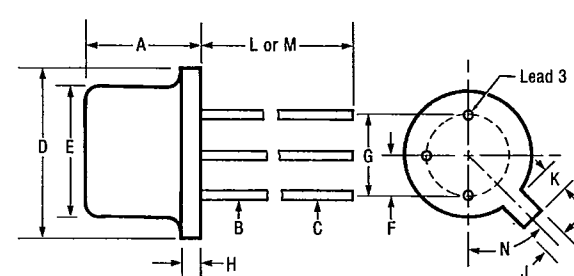
In accordance with JEDEC (TO-5) outline (60 mil Kovar or Steel Header)



Dimension	Inches		Millimeters	
	Min.	Max.	Min.	Max.
A	.240	.260	6.09	6.60
B	.016	.019	.41	.48
C	.016	.021	.41	.53
D	.335	.370	8.51	9.40
E	.305	.335	7.75	8.51
F	.100BSC		2.54BSC	
G	.200BSC		5.08BSC	
H	.009	.125	.22	3.17
J	.028	.034	.71	.86
K	.029	.045	.73	1.14
L	.500		12.70	
M	1.500		38.10	
N	45° BSC		45° BSC	

Notes: Lead No. 3 internally connected to case.
Can material is nickel.

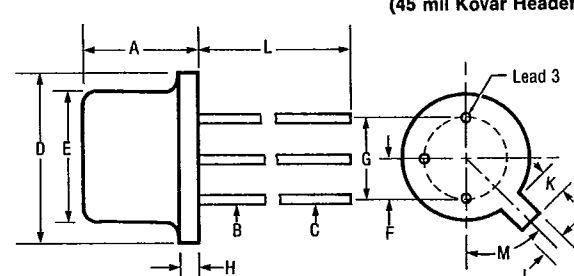
In accordance with JEDEC (TO-18) outline (8 mil Kovar Header)



Dimension	Inches		Millimeters	
	Min.	Max.	Min.	Max.
A	.170	.210	4.31	5.33
B	.016	.019	.41	.48
C	.016	.021	.41	.53
D	.209	.230	5.30	5.84
E	.178	.195	4.52	4.95
F	.050BSC		1.27BSC	
G	.100BSC		2.54BSC	
H		.030		.76
J	.036	.046	.91	1.16
K	.028	.048	.71	1.21
L	.500		12.70	
M	1.500		38.10	
N	45° BSC		45° BSC	

Notes: Lead No. 3 internally connected to case.
Can material is nickel.

In accordance with JEDEC (TO-46) outline (45 mil Kovar Header)



Dimension	Inches		Millimeters	
	Min.	Max.	Min.	Max.
A	.065	.085	1.65	2.15
B	.012	.019	.30	.48
C	.012	.021	.30	.53
D	.209	.230	5.30	5.84
E	.178	.195	4.52	4.95
F	.050BSC		1.27BSC	
G	.100BSC		2.54BSC	
H		.040		1.02
J	.036	.046	.91	1.16
K	.028	.048	.71	1.21
L	.500		12.70	
M	45° BSC		45° BSC	

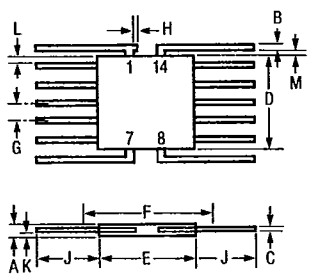
Notes: Lead No. 3 internally connected to case.
Can material is nickel.



High Current, High Speed Switches

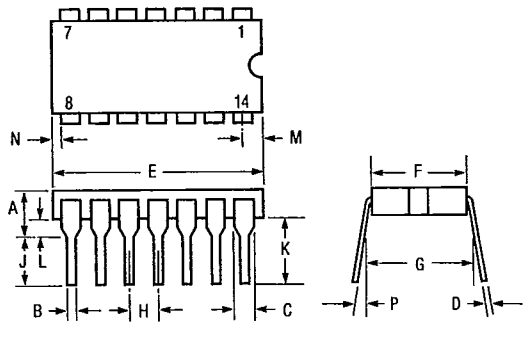
Packaging Information (Continued)

**In accordance with
JEDEC (TO-86) Outline
14 Lead Flatpak**



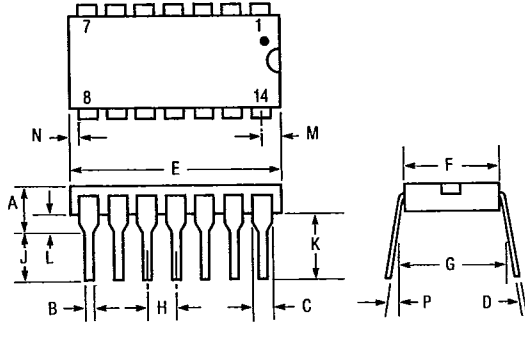
Dimension	Inches		Millimeters	
	Min.	Max.	Min.	Max.
A	0.030	0.070	0.76	1.77
B	0.010	0.019	0.25	0.48
C	0.003	0.006	0.08	0.15
D	0.240	0.275	6.10	6.99
E	0.240	0.260	6.10	6.60
F		0.290		7.37
G	0.050BSC		1.27BSC	
H	0.008	0.015	0.20	0.38
J	0.070		1.78	
K	0.005	0.035	0.13	0.89
L	0.005		0.13	
M	0.004		0.10	

**Similar to
JEDEC (TO-116) Outline
14 Lead Ceramic Dual-in-Line**



Dimension	Inches		Millimeters	
	Min.	Max.	Min.	Max.
A		200		5.08
B	.014	.023	0.36	0.58
C	.030	.070	0.76	1.78
D	.008	.015	0.20	0.38
E		.785		19.94
F	.220	.310	5.59	7.87
G	.290	.320	7.37	8.13
H	.100BSC		2.54BSC	
J	.125	.200	3.18	5.08
K	.150		3.81	
L	.015	.060	0.38	1.52
M		.098		2.49
N	.005		0.13	
P	0°	15°	0°	15°

**In accordance with
JEDEC (TO-116) Outline
14-Lead Plastic Dual-in-Line**



Dimension	Inches		Millimeters	
	Min.	Max.	Min.	Max.
A		0.200		5.08
B	0.015	0.023	0.381	0.584
C	0.030	0.070	0.77	1.77
D	0.008	0.015	0.204	0.381
E	0.660	0.785	16.76	19.94
F	0.220	0.280	5.59	7.11
G	0.290	0.310	7.37	7.87
H	0.100BSC		2.54BSC	
J	0.100		2.54	
K	0.120		3.05	
L	0.020		0.51	
M	0.020	0.102	0.51	2.59
N	0.002	0.087	0.051	2.21
P	0°	15°	0°	15°