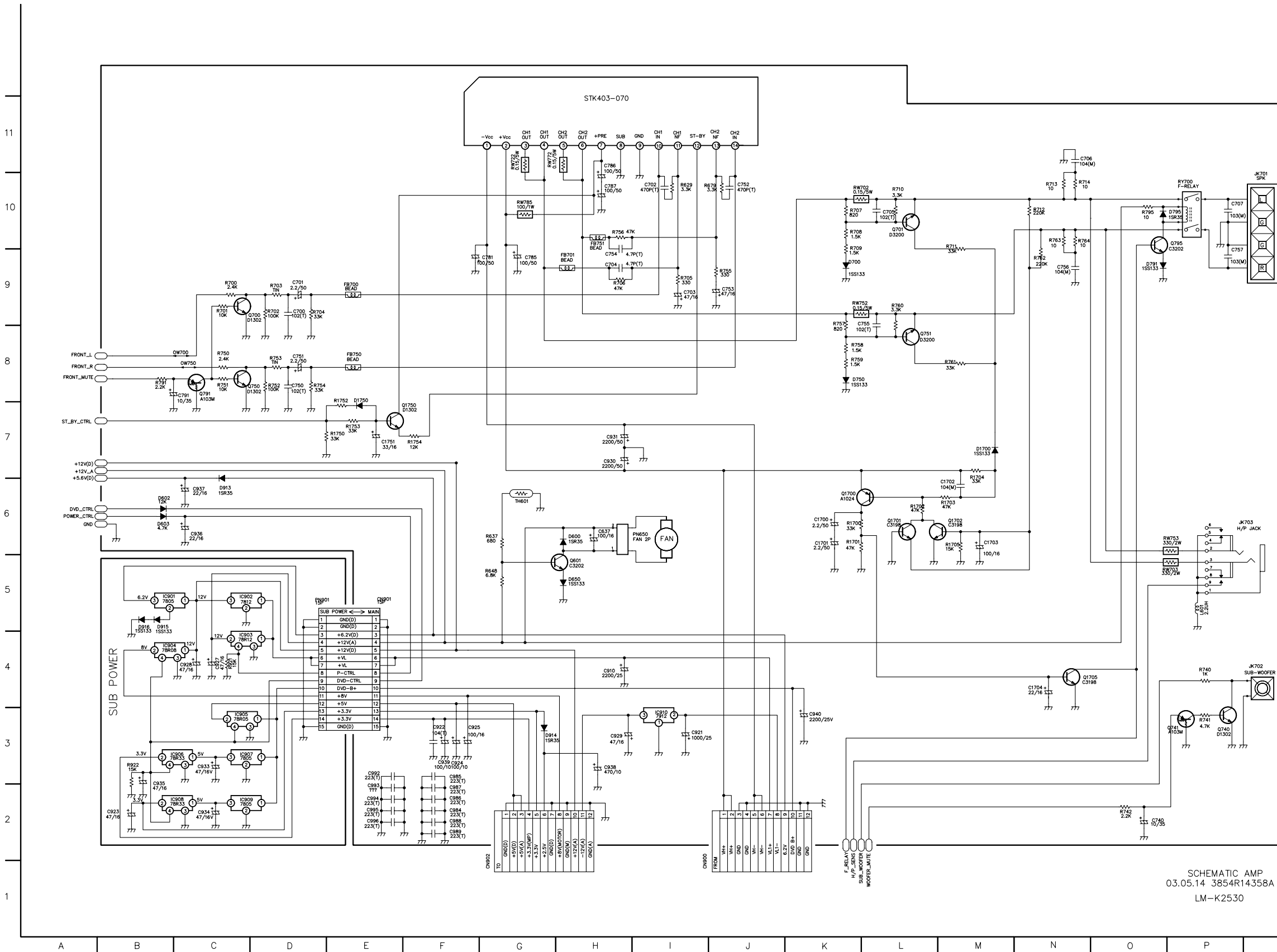


AMP SCHEMATIC DIAGRAM



LOCATION GUIDE

C1700	K6	Q750	C8
C1701	K6	Q751	L8
C1702	M6	Q791	C8
C1703	M6	Q795	P10
C1704	N4	R1700	K6
C1751	E7	R1701	K6
C637	H6	R1702	L6
C700	D9	R1703	M6
C701	D9	R1704	M6
C702	I10	R1705	M6
C703	I9	R1750	E7
C704	H9	R1752	E7
C705	L10	R1753	E7
C706	N11	R1754	F7
C707	P10	R629	I10
C740	O2	R637	G6
C750	D8	R648	G5
C751	D8	R679	I10
C752	J10	R700	C9
C753	J9	R701	C9
C754	J9	R702	D9
C755	K9	R703	D9
C756	N9	R704	D9
C757	P9	R705	I9
C781	G9	R706	H9
C785	G9	R707	K10
C786	H11	R708	K10
C787	H10	R709	K9
C791	C8	R710	L10
C910	H4	R711	M10
C921	I3	R712	N10
C922	F3	R713	N10
C923	B2	R714	N10
C924	F3	R740	P4
C925	F3	R741	P3
C927	C4	R742	O2
C928	C4	R750	C8
C929	H3	R751	C8
C930	H7	R752	D8
C931	H7	R753	D8
C933	C3	R754	D8
C934	C2	R755	J9
C935	B2	R756	H10
C936	C6	R757	K9
C937	C6	R758	K8
C938	H3	R759	K8
C939	F3	R760	L9
C940	K3	R761	M8
C984	F2	R762	N9
C985	F3	R763	N10
C986	F2	R764	N10
C987	F2	R791	B8
C988	F2	R795	O10
C989	F2	R921	C4
C992	E3	R922	B3
C993	E2	RW702	K10
C994	E2	RW703	O5
C995	E2	RW722	G11
C996	E2	RW752	K9
CN900	I1	RW753	O6
CN901	E5	RW772	C11
CN902	G1	RW785	C10
D1700	M7	R700	P10
D1750	E8	TH601	G6
D600	H6		
D602	B6		
D603	B6		
D650	H5		
D700	K9		
D750	K8		
D791	O9		
D795	P10		
D913	C6		
D914	G3		
D915	B5		
D916	B5		
FB700	E9		
FB701	H9		
FB750	E8		
FB751	H10		
IC901	B5		
IC902	C5		
IC903	C4		
IC904	B4		
IC905	C3		
IC906	B3		
IC907	C3		
IC908	B2		
IC909	C2		
IC910	I3		
JK701	O10		
JK702	O4		
JK703	P6		
L601	P5		
OW700	B8		
OW750	C8		
PN650	I6		
PN901	D5		
Q1700	K6		
Q1701	L6		
Q1702	M6		
Q1705	N4		
Q1750	E7		
Q601	H5		
Q700	C9		
Q701	L10		
Q740	P3		
Q741	P3		

SCHMATIC AMP
03.05.14 3854R14358A
LM-K2530