

# SK32S - SK3BS

**PRV : 20 - 100 Volts**  
**I<sub>o</sub> : 3.0 Amperes**

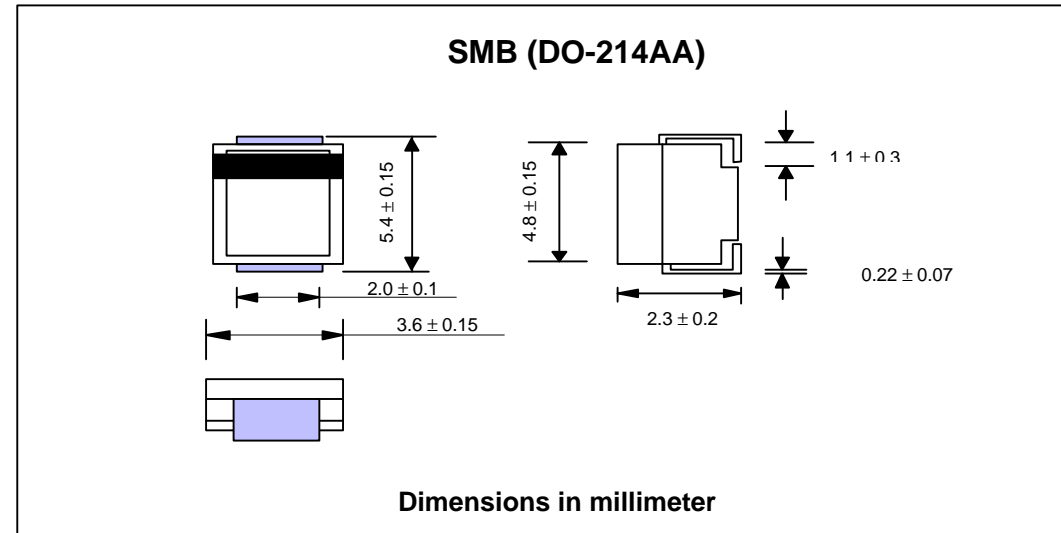
## FEATURES :

- \* High current capability
- \* High surge current capability
- \* High reliability
- \* High efficiency
- \* Low power loss
- \* Low forward voltage drop

## MECHANICAL DATA :

- \* Case : SMB (DO-214AA) Molded plastic
- \* Epoxy : UL94V-O rate flame retardant
- \* Lead : Lead Formed for Surface Mount
- \* Polarity : Color band denotes cathode end
- \* Mounting position : Any
- \* Weight : 0.093 gram

## SURFACE MOUNT SCHOTTKY BARRIER RECTIFIERS



## MAXIMUM RATINGS AND ELECTRICAL CHARACTERISTICS

Rating at 25 °C ambient temperature unless otherwise specified.

Single phase, half wave, 60 Hz, resistive or inductive load.

For capacitive load, derate current by 20%.

RATING	SYMBOL	SK 32S	SK 33S	SK 34S	SK 35S	SK 36S	SK 37S	SK 38S	SK 39S	SK 3BS	UNIT	
Maximum Recurrent Peak Reverse Voltage	V <sub>RRM</sub>	20	30	40	50	60	70	80	90	100	Volts	
Maximum RMS Voltage	V <sub>RMS</sub>	14	21	28	35	42	49	56	63	70	Volts	
Maximum DC Blocking Voltage	V <sub>DC</sub>	20	30	40	50	60	70	80	90	100	Volts	
Maximum Average Forward Current See Fig.1	I <sub>F(AV)</sub>	3.0									Amps.	
Peak Forward Surge Current, 8.3ms single half sine wave superimposed on rated load (JEDEC Method)	I <sub>FSM</sub>	80									Amps.	
Maximum Forward Voltage at I <sub>F</sub> = 3.0 Amps.	V <sub>F</sub>	0.5			0.74			0.79			Volt.	
Maximum Reverse Current at Ta = 25 °C	I <sub>R</sub>	0.5									mA	
Rated DC Blocking Voltage (Note 1) Ta = 100 °C	I <sub>R(H)</sub>	20									mA	
Junction Temperature Range	T <sub>J</sub>	- 65 to + 125				- 65 to + 150						°C
Storage Temperature Range	T <sub>STG</sub>	- 65 to + 150									°C	

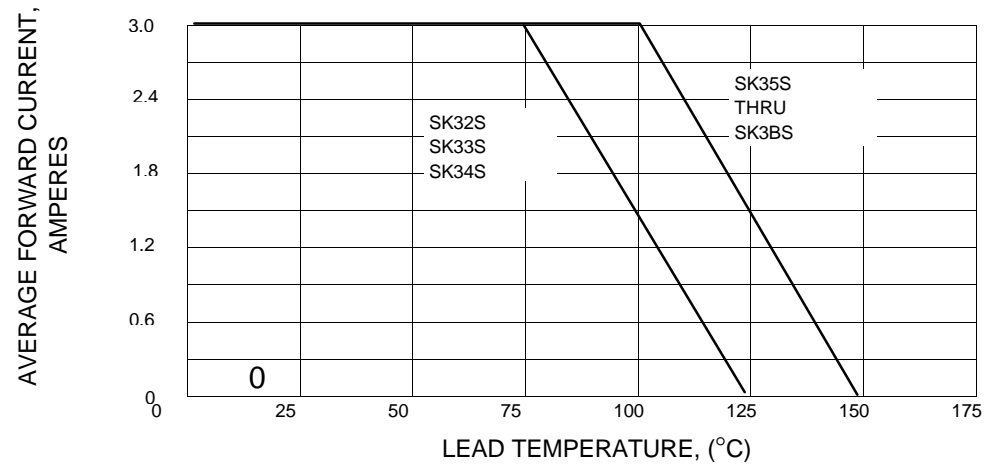
## Notes :

(1) Pulse Test : Pulse Width = 300 μs, Duty Cycle = 2%

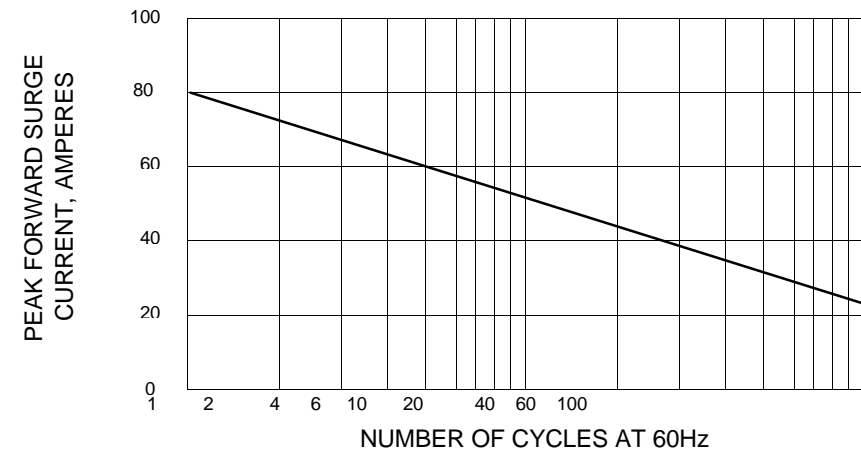
**UPDATE : MAY 10, 1999**

## RATING AND CHARACTERISTIC CURVES ( SK32S - SK3BS )

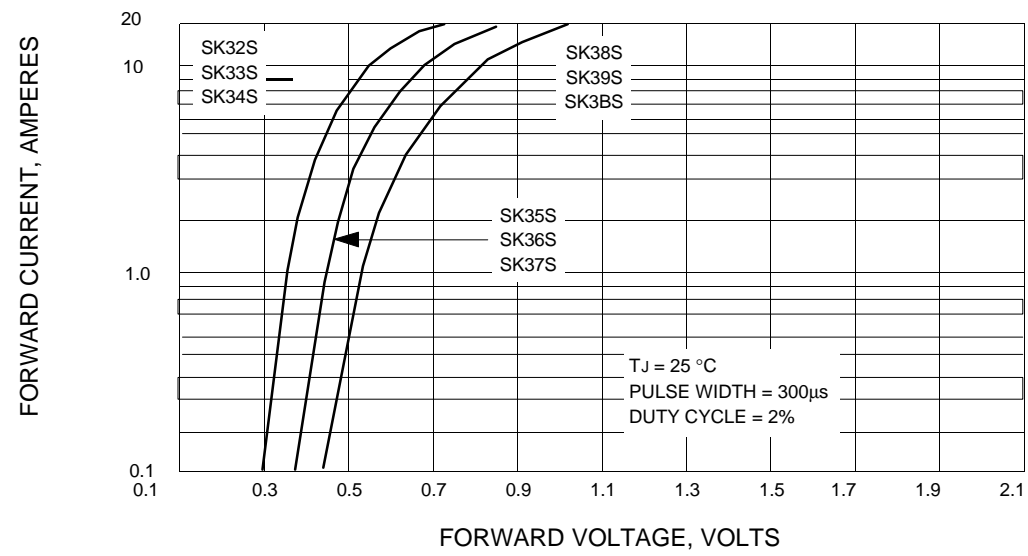
**FIG.1 - FORWARD CURRENT DERATING CURVE**



**FIG.2 - MAXIMUM NON-REPETITIVE PEAK FORWARD SURGE CURRENT**



**FIG.3 - TYPICAL FORWARD CHARACTERISTICS**



**FIG.4 - TYPICAL REVERSE CHARACTERISTICS**

