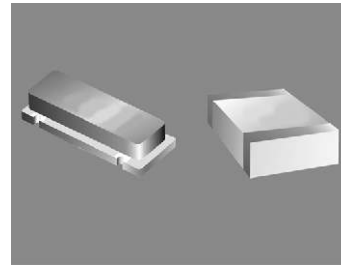


Resonator SMD, 2 Pin

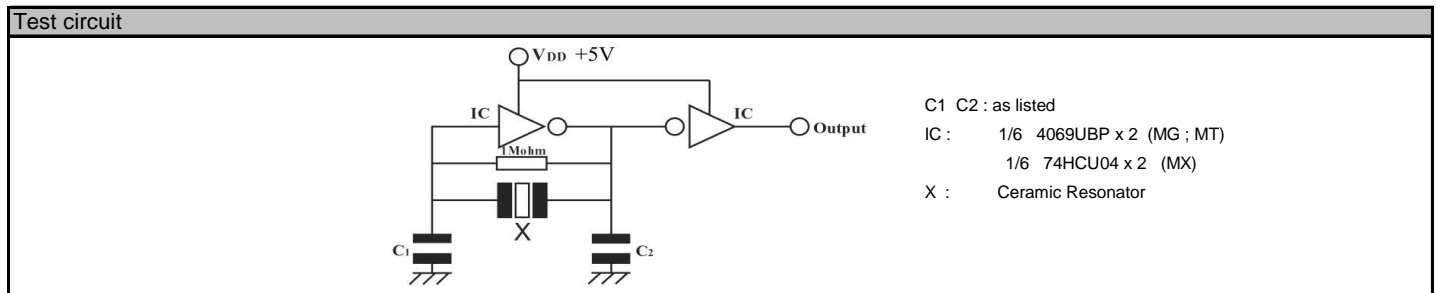
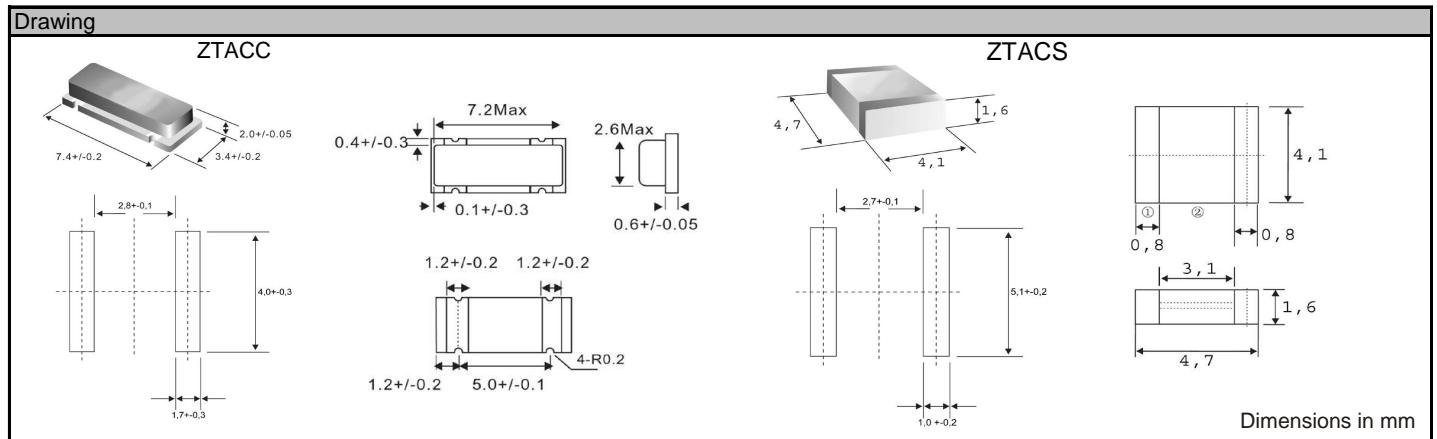
Features:

- Low cost
- Consumer electronics
- Microprocessor systems
- Excellent for automototive applications



ZTACC/MG
ZTACS/MT
ZTACS/MX

Specifications						
Part	ZTACC/MG		ZTACS/MT		ZTACS/MX	
	Frequency range (MHz)	1.80 ~ 8.00		6.0 ~ 13.0		13.01 ~ 20.00
Frequency accuracy (25°C)	+/-0.5%		+/-0.5%		+/-0.5%	
Temp. stability (-20°C ~ +80°C)	+/-0.3%		+/-0.4%		+/-0.3%	
Aging (over 10 years)	+/-0.3%		+/-0.4%		+/-0.3%	
Load capacitance (pF)	C1	30	30	30	15	5
	C2	30	30	30	15	5



Order key						
R	- 5.000000M	- ZTACC/MG	- 0.5	- 0.3	- H	- 30/30
Part	Frequency	Type/Package	Frequency tolerance	Temperature tolerance	Temperature range	Load capacitance
R=Resonator	K=KHz M=MHz	ZTACC/MG ZTACS/MT ZTACS/MX	+/-KHz or % (25°C)	+/-% (Temp. range)	H=-20°C ~ +80°C	pF C1/C2

Remarks: All specifications subject to change without notice!