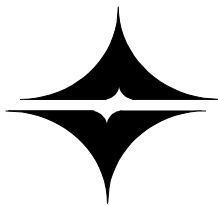


DATE : 2000. 11. 17.

SPECIFICATION

PRODUCT : LED DISPLAY

MODEL : ODS - N108KM



OPTO ELECTRONICS CO., LTD.

1066-12 YOUNJANG-RI, JINAN-UP, JINAN-GUN

JEON-BUK, KOREA.

TEL : 82-63-433-4566~8

FAX : 82-63-433-4569

<http://www.e-oec.com>

OPTO ELECTRONICS CO., LTD. (株) 元光電子	T I T L E L E D D I S P L A Y ODS-N108KM	문서 번호	OQSS-SD-231
		개정 번호	IR
		개정 일자	2000년 11월 17일
		P A G E	1 OF 1

1. GENERAL DESCRIPTION

The ODS-N108 series of single digits consisted seven segments are designed to be used even in bright location.

The character height is 0.8 inch (approximately 20.00mm) and a choice of four emitting colors (RED, GREEN, ORANGE, YELLOW) and two configurations (common ANODE, common CATHODE) are possible.

2. FEATURES

- High brightness with high contrast
- Uniform brightness and wide angle viewing
- Solid state stability and long operation life
- CATHODE common and ANODE common types available

3. ABSOLUTE MAXIMUM RATINGS.

(Ta=25℃)

Parameter	Symbol	Rating	Unit
Power Dissipation	P _D	432	mW
Power Dissipation	P _D /seg	54	mW
Forward Current	I _F	20	mA
Peak Forward Current	I _{FP}	50	mA
Reverse Voltage	V _R /seg	6	V
Operating Temperature	T _{opr}	-25 ~ +70	℃
Storage Temperature	T _{stg}	-30 ~ +80	℃
Soldering Temperature	T _{sol}	260℃ within 5 seconds	

4. ELECTRO - OPTICAL CHARACTERISTICS.

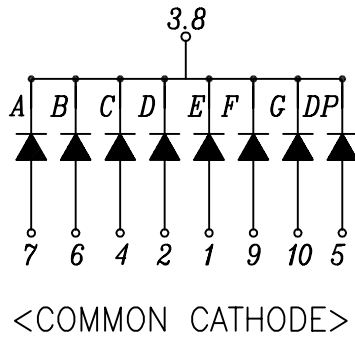
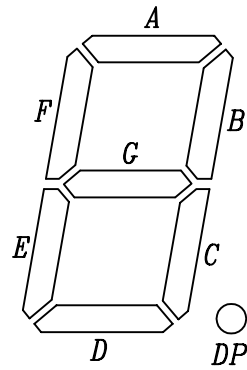
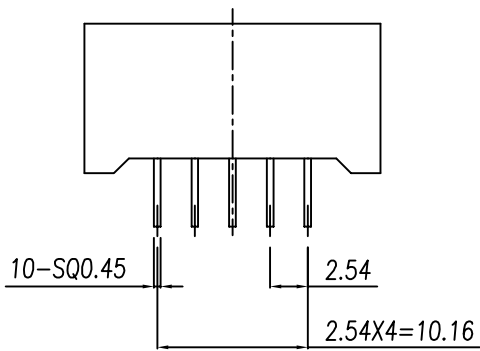
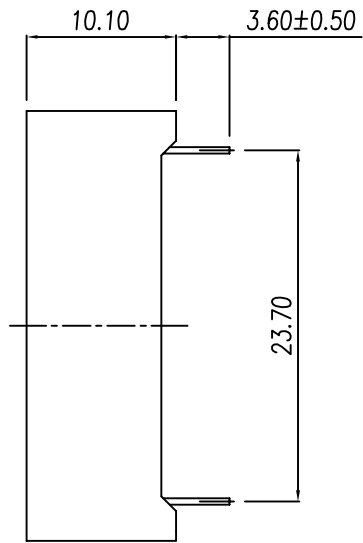
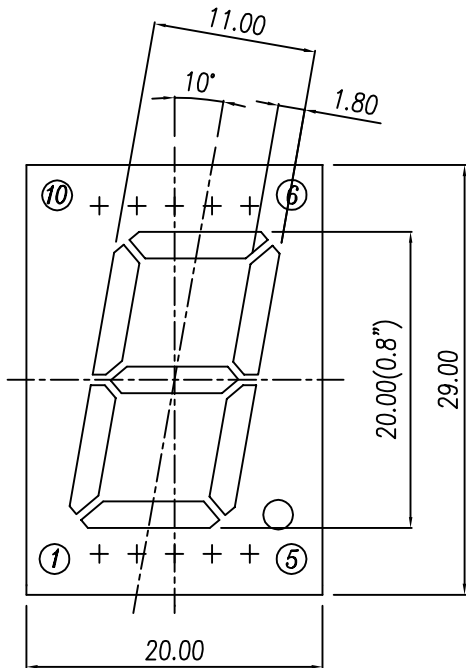
(Ta=25℃)

Parameter	Symbol	Condition	Min	Typ	Max	Unit
Forward Voltage	V _F	I _F =20mA	-	2.10	2.70	V
Luminous Intensity	I _V	I _F =20mA	100	180	-	mcd
Wavelength	Hue	I _F =20mA	-	605	-	nm
Spectrum Radiation Bandwidth	Δλ	I _F =20mA	-	40	-	nm
Reverse Current	I _R	V _R =5V	-	-	100	μA

NOTE

*1. Duty Ratio=1/4

*2. Assembled into T1³/₄ plastic package



DATE	2000. 11. 17.	UNLESS OTHERWISE SPECIFIED DIMENSIONS ARE IN MILLIMETERS AND TOLERANCES ARE AS FOLLOWS: <table border="1"> <tr><td>0 - 6</td><td>±0.1</td></tr> <tr><td>6 - 15</td><td>±0.15</td></tr> <tr><td>15 - 60</td><td>±0.2</td></tr> <tr><td>60 - 200</td><td>±0.3</td></tr> <tr><td>200 - ∞</td><td>±0.5</td></tr> </table>	0 - 6	±0.1	6 - 15	±0.15	15 - 60	±0.2	60 - 200	±0.3	200 - ∞	±0.5	TITLE		DRAWN	CHECKED	APPROVED
0 - 6	±0.1																
6 - 15	±0.15																
15 - 60	±0.2																
60 - 200	±0.3																
200 - ∞	±0.5																
UNIT	mm		ODS-N108KM														
SCALE	N/S				ANGULAR TOLERANCE ±0.5°												
MATERIAL																	



OPTO ELECTRONICS CO.,LTD

D.W.G NO.

OSD01-231