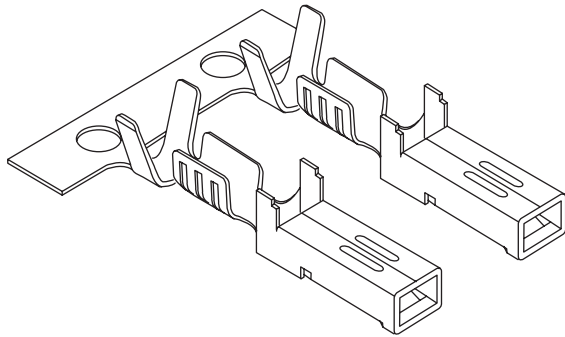


# 6.00mm (0.263") PITCH CONNECTOR

Wire-to-Board  
Crimp Terminal

SMT603

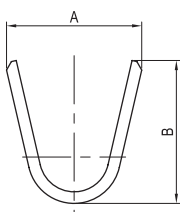
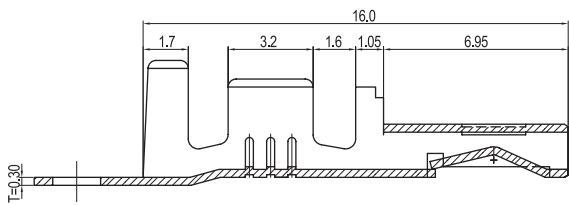
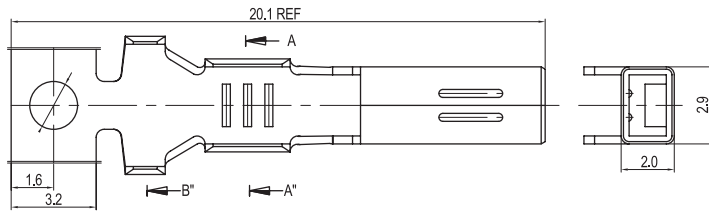


## Material

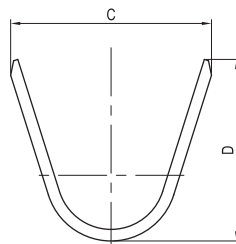
I/NO	DESCRIPTION	TITLE	AWG	MATERIAL	FINISH
1	TERMINAL	SMT603	#22~#14	Phosphor Bronze	Tin-Plated

## Section Barrel

PARTS NO.	A	B	C	D
SMT603	2.2	2.5	4.3	3.5
SMT603L	3.3	3.9	5.1	4.8



SEC A-A'



SEC B-B'

## Specification

ITEM	SPEC
Voltage Rating	AC/DC 250V
Current Rating	AC/DC 15A
Operating Temperature	-25°C ~ +85°C
Contact Resistance	30mΩ MAX
Withstanding Voltage	AC1500V/1min
Insulation Resistance	1000MΩ MIN
Applicable Wire	AWG #14~#22
Applicable P.C.B	-
Applicable FPC/FFC	-
Solder Height	-
Crimp Tensile Strength	L-TYPE : AWG #14~#18
	M-TYPE : AWG #20~#22
	AWG #14 : 7.0kgfMIN
	AWG #18 : 6.0kgfMIN
	AWG #18 : 5.0kgfMIN
UL FILE NO	AWG #20 : 4.0kgfMIN
	AWG #22 : 3.0kgfMIN
	-