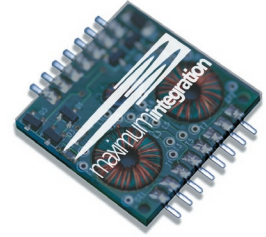


## PCMCIA Hybrid APC8401

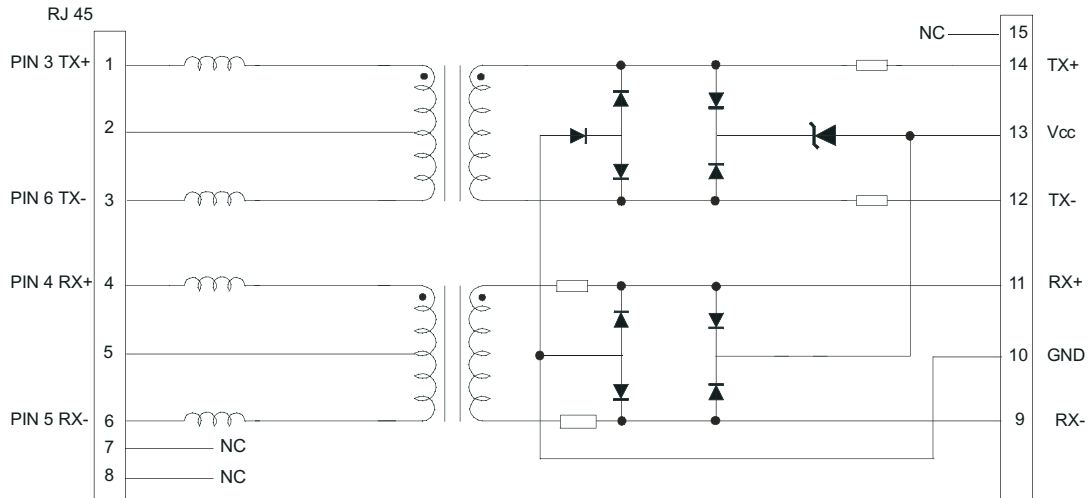


### ELECTRICAL SPECIFICATIONS @ 25°C OPERATING TEMPERATURE 0°C TO 70°C

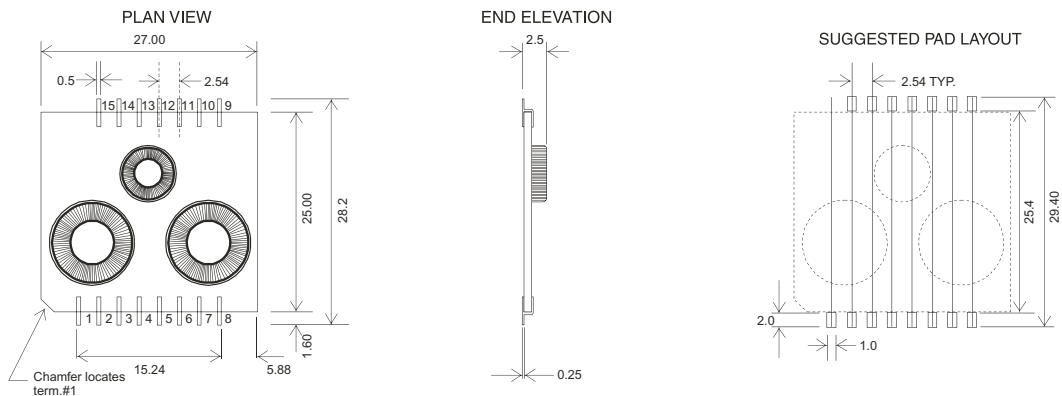
Turns Ratio +/-5%	Primary Inductance mH min	Leakage Inductance uH max	Primary DCR OHMS +/- 20%	Secondary DCR OHMS +/- 20%	Choke	
					Inductance per line mH nom	DCR per line OHMS
1CT:2	22.0	10.0	1.0	3.1	0.04	0.5

NOTES: ISOLATION PRI:SEC 1500VRMS

### SCHEMATIC



### MECHANICAL



NOTES: NOT TO SCALE  
TOLERANCE +/- 0.2MM  
ALL DIMENSIONS IN MM