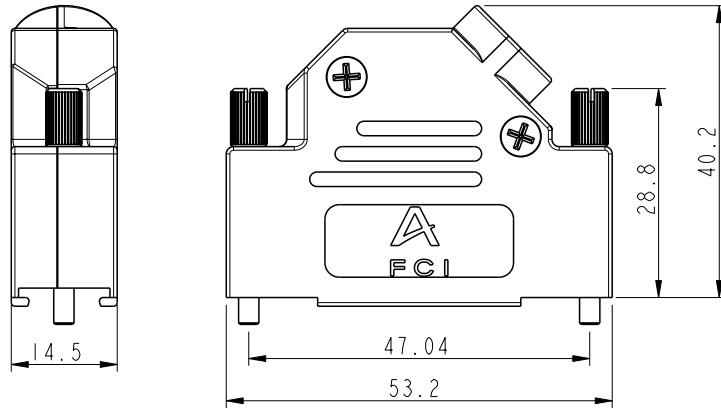


Tous droits strictement réservés. Reproduction ou communication à des tiers interdite sans autorisation écrite du propriétaire. Propriété de FCI. Droits de reproduction FCI.

FCI

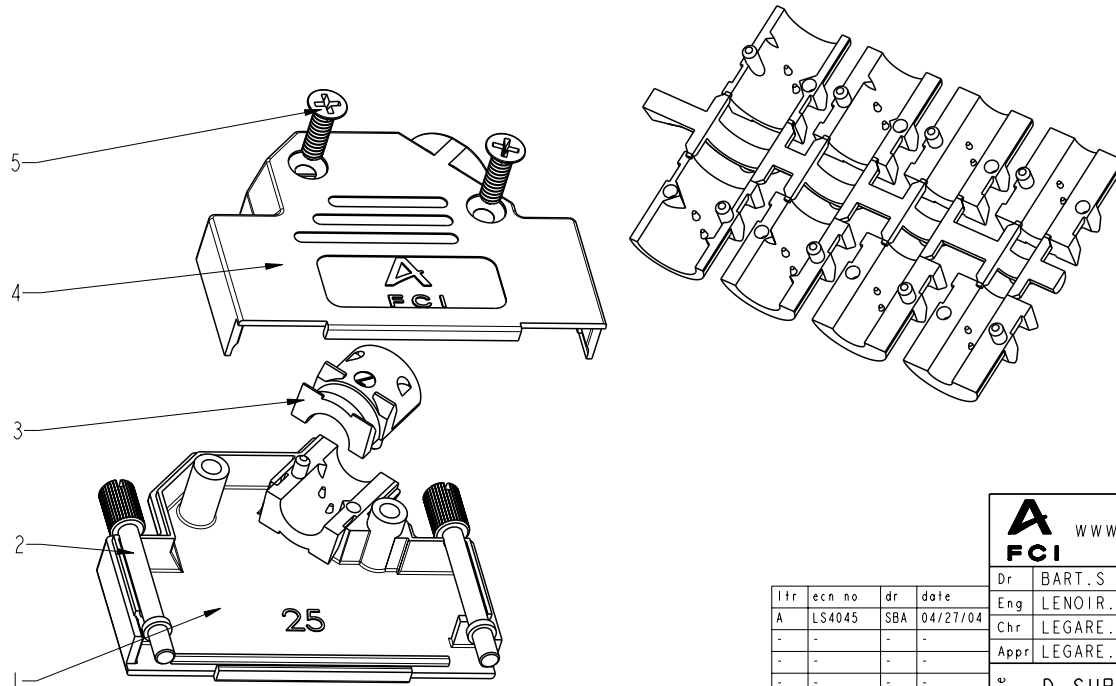
All rights strictly reserved. Reproduction or issue in third parties in any form whatever is not permitted without written authority from the proprietor. Property of FCI. Copyright FCI.

SIZE	Part Num.	Threading
25	8655MHRA2501	UNC 4.40



NOTES:

- Material and finish: Zinc die-cast nickel plated
- Cable strain relief: Steel fibre reinforced Polycarbonate (UL94V-0) for EMI/RFI screening
- Jackscrew: black UNC 4.40
- Temperature range: -40°C to 120°C
- Cable diameter: 4,0 to 13,0mm
- Attenuation factor: >40 dB between 30MHz and 1 GHz
- Packaging: Bulk, in box of 100 P/N
- Covers screwing force (max): 100Ncm
- Jackscrew screwing force (max): 75 Ncm



DESIGNATION	REP.	09	15	25	37
COVER BOTTOM	1			1	
JACKSCREW	2	1		2	
STRAIN RELIEF	3			2	
COVER TOP	4			1	
SCREW POZIDRIVE	5			2	

lfr	ecn no	dr	date
A	LS4045	SBA	04/27/04
-	-	-	-
-	-	-	-
-	-	-	-
-	-	-	-
-	-	-	-
-	-	-	-

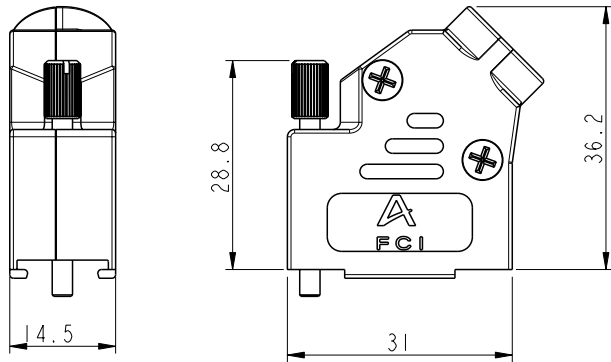
FCI	www.fciconnect.com		surface -	tolerance -	projection	mm
			ISO 1302	ISO 406 ISO 1101		
Dr	BART.S	08.04.04	Product family		D-SUB	size
Eng	LENOIR.M	08.04.04	Spec ref			Scale
Chr	LEGARE.P	08.04.04	Material		SEE NOTES	ECN
Appr	LEGARE.P	08.04.04				
title					D-SUB METAL SHELLS	
					ANGLED	
catalog no					- CUSTOMER COPY	
					dwg no	
					10039956C	
					Rev.	
					A	
					sheet 1 of 3	

Tous droits strictement réservés. Reproduction ou communication à des fins interdites sans gréage forme que ce soit sans autorisation écrite du propriétaire. Propriété de FCI. Droits de reproduction FCI.

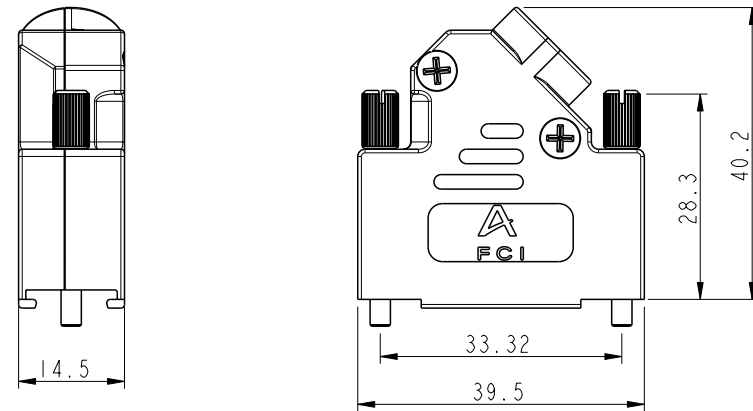
FCI

All rights strictly reserved. Reproduction or communication to third parties in any form whatever is not permitted without written authority from the proprietor. Property of FCI. Copyright FCI.

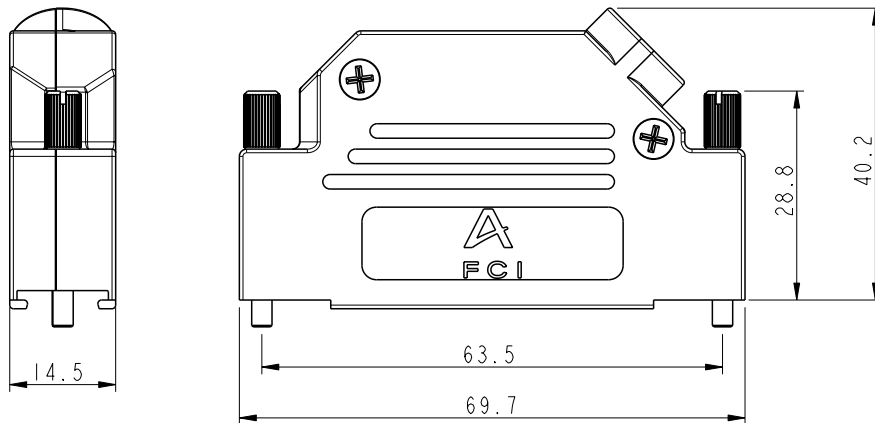
SIZE	Part Num.	Threading
09	8655MHRA0901	UNC 4.40



SIZE	Part Num.	Threading
15	8655MHRA1501	UNC 4.40



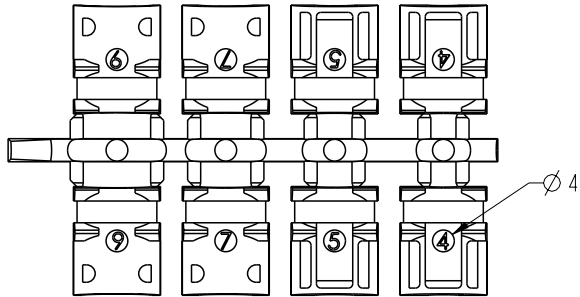
SIZE	Part Num.	Threading
37	8655MHRA3701	UNC 4.40



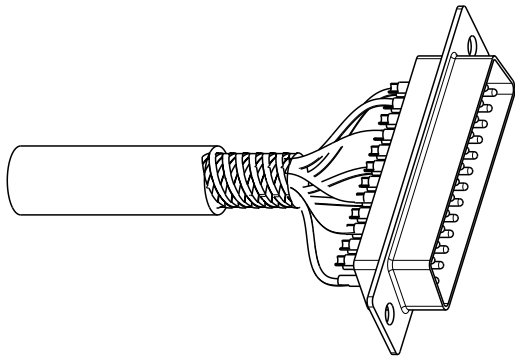
FCI www.fciconnect.com		surface - ISO 1302	tolerance ISO 406 ISO 1101	projection 	mm
Dr	BART.S	08.04.04	Product family	D-SUB	size A3
Eng	LENOIR.M	08.04.04	Spec ref		Scale 3:2
Chr	LEGARE.P	08.04.04	Material	SEE NOTES	ECN -
Appr	LEGARE.P	08.04.04			
title			D-SUB METAL SHELLS		Rev. A
dwg no			10039956C		
catalog no			- CUSTOMER COPY		sheet 2 of 3

CABLING INSTRUCTIONS

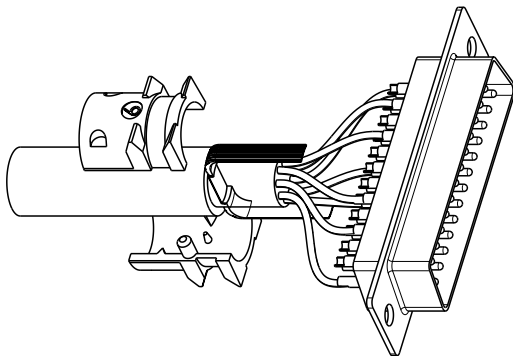
1- Use two halves of strain relief, different sizes can be mixed (Ø 4, 5, 7 or 9)



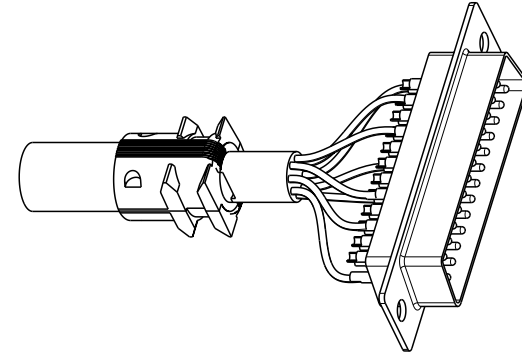
2- Strip cable 18mm and shape to two pigtails



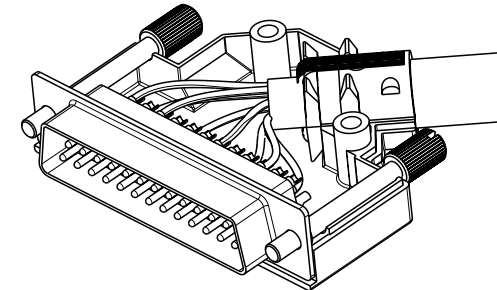
3- Attach the strain relief around the cable



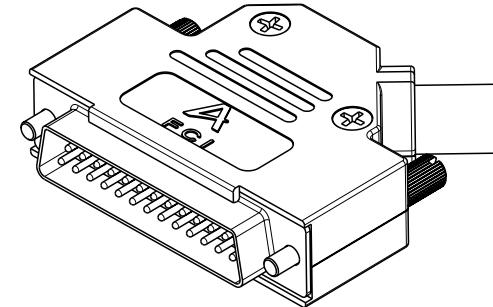
4- Bend cable shielding back on outside of strain relief



5- Mount connector and cable into the backshell



6- Assemble the other half screwing force: 100 Ncm



Tous droits strictement réservés. Reproduction ou communication e des tiers interdite sans autorisation écrite du propriétaire. Property of FCI. Copyright FCI.

A
FCI

All rights strictly reserved. Reproduction or communication to third parties in any form whatever is not permitted without written authority from the proprietor. Property of FCI. Copyright FCI.

A FCI		www.fciconnect.com		surface - ✓	tolerance ISO 406 ISO 1101	projection ⊕	mm ↔
Dr	BART.S	08.04.04	Product family	D-SUB		size	Scale
Eng	LENOIR.M	08.04.04	Spec ref			A3	3:2
Chr	LEGARE.P	08.04.04	Material	SEE NOTES		ECN	-
Appr	LEGARE.P	08.04.04					
title				D-SUB METAL SHELLS		Rev.	
				ANGLED		A	
catalog no				- CUSTOMER COPY		sheet 3 of 3	