

Surface Mount Power Splitter/Combiner

LRPS-2-11+ LRPS-2-11

2 Way-0° 50Ω 20 to 2000 MHz



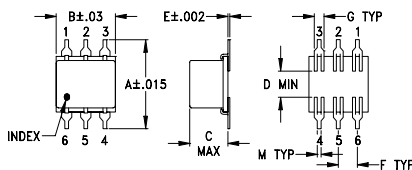
Maximum Ratings

Operating Temperature	-40°C to 85°C
Storage Temperature	-55°C to 100°C
Power Input (as a splitter)	1W max.
Internal Dissipation	0.125W max.

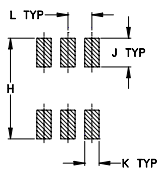
Pin Connections

SUM PORT	6
PORT 1	4
PORT 2	3
GROUND	1,2,5

Outline Drawing



PCB Land Pattern

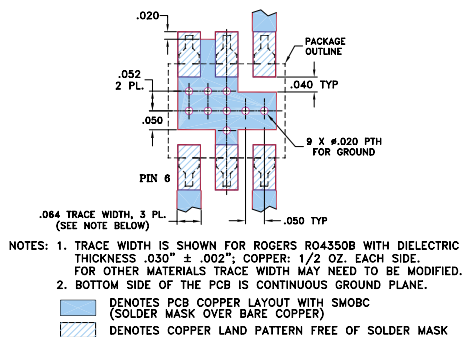


Suggested Layout,
Tolerance to be within ±.002

Outline Dimensions (inch/mm)

A	B	C	D	E	F	G
.400	.31	.200	.10	.010	.100	.050
10.16	7.87	5.08	2.54	0.25	2.54	1.27
H	J	K	L	M		wt
.420	.120	.060	.100	.020		grams
10.67	3.05	1.52	2.54	0.51		

Demo Board MCL P/N: TB-100 Suggested PCB Layout (PL-057)



Features

- very wideband, 20 to 2000 MHz
- low insertion loss, 0.7 dB typ.
- good isolation, 21 dB typ.

Applications

- cellular
- GPS
- communications systems

CASE STYLE: QQQ130
PRICE: \$24.95 ea. QTY. (10-49)

+ RoHS compliant in accordance with EU Directive (2002/95/EC)

The +Suffix identifies RoHS Compliance. See our web site for RoHS Compliance methodologies and qualifications.

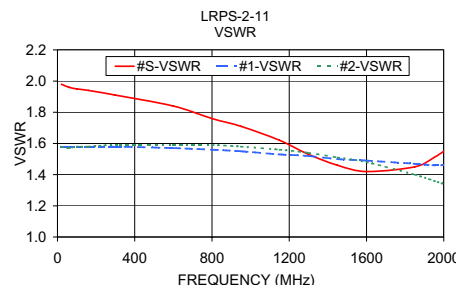
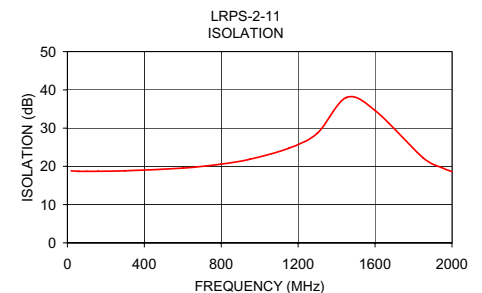
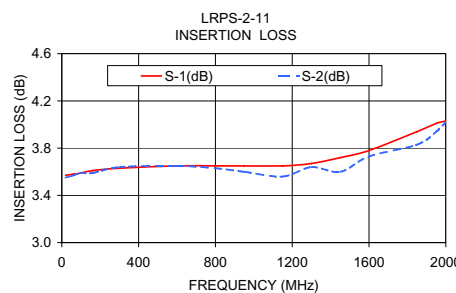
Splitter Electrical Specifications

FREQ. RANGE (MHz)	ISOLATION (dB)						INSERTION LOSS (dB) ABOVE 3.0 dB						PHASE UNBALANCE (Degrees)			AMPLITUDE UNBALANCE (dB)		
	L		M		U		L		M		U		L	M	U	L	M	U
$f_c - f_u$	Typ.	Min.	Typ.	Min.	Typ.	Min.	Typ.	Max.	Typ.	Max.	Typ.	Max.	Max.	Max.	Max.	Max.	Max.	Max.
20-2000	19	15	21	15	30	15	0.6	0.8	0.7	1.0	0.8	1.5	2.0	3.0	5.0	0.2	0.3	0.7

L = 20-200 MHz M = 200-1000 MHz U = 1000-2000 MHz

Typical Performance Data

Frequency (MHz)	Insertion Loss (dB)		Amplitude Unbalance (dB)	Isolation (dB)	Phase Unbalance (deg.)	VSWR S	VSWR 1	VSWR 2
	S-1	S-2						
20.00	3.57	3.55	0.01	18.82	0.10	1.98	1.58	1.58
60.00	3.58	3.57	0.01	18.71	0.18	1.96	1.58	1.57
100.00	3.59	3.59	0.01	18.70	0.29	1.95	1.58	1.58
160.00	3.61	3.59	0.02	18.72	0.45	1.94	1.58	1.58
300.00	3.63	3.64	0.01	18.84	0.77	1.91	1.58	1.59
600.00	3.65	3.65	0.00	19.55	1.46	1.84	1.57	1.59
800.00	3.65	3.63	0.02	20.59	1.76	1.76	1.56	1.59
950.00	3.65	3.60	0.05	21.89	1.90	1.71	1.55	1.58
1150.00	3.65	3.56	0.09	24.73	1.89	1.62	1.53	1.56
1300.00	3.67	3.64	0.03	28.68	1.70	1.53	1.52	1.54
1450.00	3.72	3.60	0.12	37.99	1.45	1.46	1.50	1.51
1600.00	3.78	3.73	0.05	34.62	1.03	1.42	1.49	1.48
1850.00	3.94	3.83	0.11	22.22	0.16	1.45	1.47	1.40
1950.00	4.01	3.94	0.07	19.58	0.70	1.51	1.46	1.36
2000.00	4.03	4.02	0.01	18.65	0.98	1.55	1.46	1.34



electrical schematic



Mini-Circuits®
ISO 9001 ISO 14001 CERTIFIED

ALL NEW
minicircuits.com

P.O. Box 350166, Brooklyn, New York 11235-0003 (718) 934-4500 Fax (718) 332-4661 For detailed performance specs & shopping online see Mini-Circuits web site



The Design Engineers Search Engine Provides ACTUAL Data Instantly From MINI-CIRCUITS At: www.minicircuits.com

RF/IF MICROWAVE COMPONENTS

REV. OR
M102713
LRPS-2-11
ED-2361
DJ/TD/CP
070202