

# 17.0-24.0 GHz GaAs MMIC Power Amplifier

July 2006 - Rev 30-Jul-06

## Features

- X Excellent Transmit Output Stage
- X Temperature Compensated Output Detector
- X 18.0 dB Small Signal Gain
- X +27.0 dBm P1dB Compression Point
- X 100% On-Wafer RF, DC and Output Power Testing
- X 100% Visual Inspection to MIL-STD-883 Method 2010

## General Description

Mimix Broadband's three stage 17.0-24.0 GHz GaAs MMIC buffer amplifier has a small signal gain of 18.0 dB with a +27.0 dBm P1dB output compression point across much of the band. The device also includes an on-chip temperature compensated output power detector. This MMIC uses Mimix Broadband's 0.15  $\mu\text{m}$  GaAs PHEMT device model technology, and is based upon electron beam lithography to ensure high repeatability and uniformity. The chip has surface passivation to protect and provide a rugged part with backside via holes and gold metallization to allow either a conductive epoxy or eutectic solder die attach process. This device is well suited for Millimeter-wave Point-to-Point Radio, LMDS, SATCOM and VSAT applications.

## Chip Device Layout



## Absolute Maximum Ratings

Supply Voltage (Vd)	+6.0 VDC
Supply Current (Id1,2,3)	145, 290, 580 mA
Gate Bias Voltage (Vg)	+0.3 VDC
Input Power (Pin)	+19.0 dBm
Storage Temperature (Tstg)	-65 to +165 °C
Operating Temperature (Ta)	-55 to MTTF Graph <sup>1</sup>
Channel Temperature (Tch)	MTTF Graph <sup>1</sup>

(1) Channel temperature affects a device's MTTF. It is recommended to keep channel temperature as low as possible for maximum life.

## Electrical Characteristics (Ambient Temperature T = 25 °C)

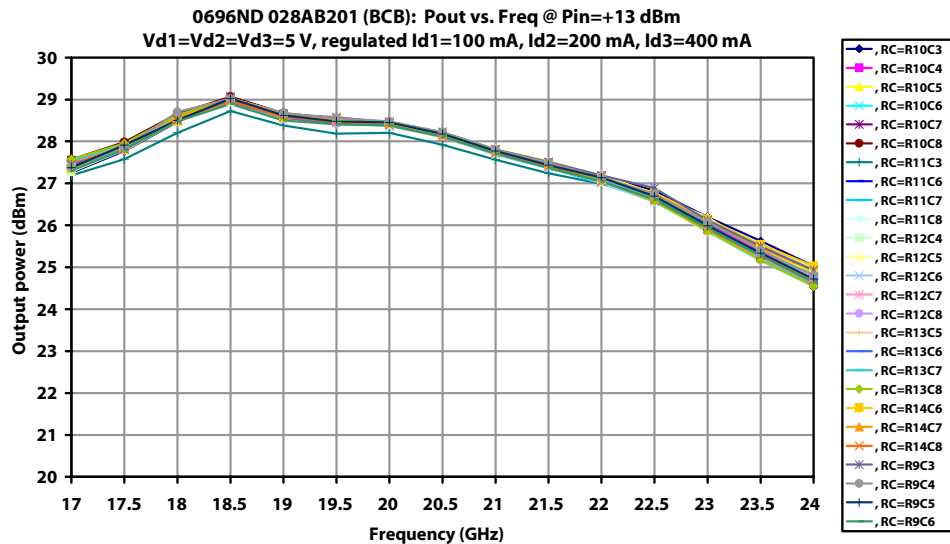
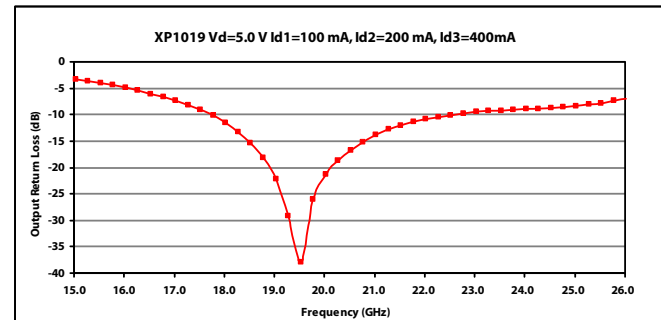
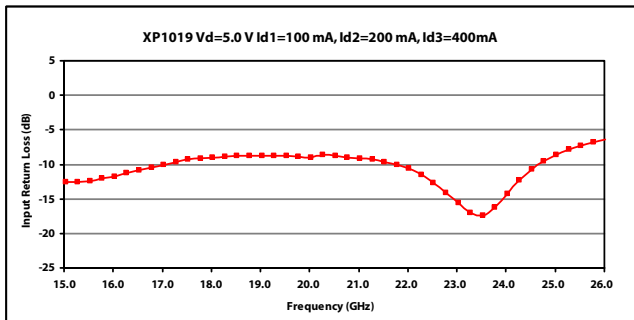
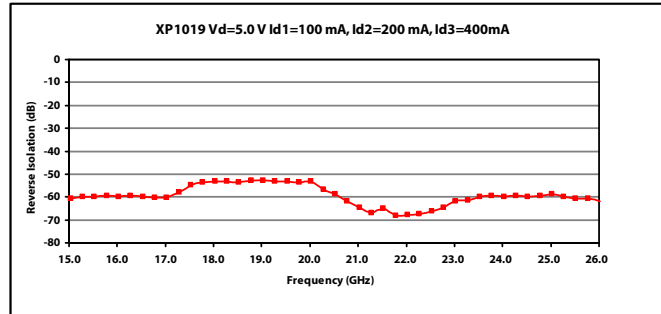
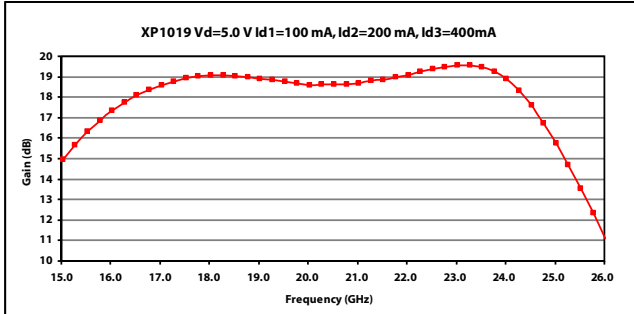
Parameter	Units	Min.	Typ.	Max.
Frequency Range (f)	GHz	17.0	-	24.0
Input Return Loss (S11)	dB	-	9.0	-
Output Return Loss (S22)	dB	-	10.0	-
Small Signal Gain (S21)	dB	-	18.0	-
Gain Flatness ( $\Delta S21$ )	dB	-	+/-1.0	-
Reverse Isolation (S12)	dB	-	45.0	-
Output Power for 1dB Compression (P1dB) <sup>2</sup>	dBm	-	+27.0	-
Drain Bias Voltage (Vd1,2,3) (Vdet)	VDC	-	+5.0	+5.5
Gate Bias Voltage (Vg1,2,3)	VDC	-1.0	-0.7	0.0
Supply Current (Id1) (Vd=5.0V, Vg=-0.7V Typical)	mA	-	100	120
Supply Current (Id2) (Vd=5.0V, Vg=-0.7V Typical)	mA	-	200	240
Supply Current (Id3) (Vd=5.0V, Vg=-0.7V Typical)	mA	-	400	480
Detector (diff) Output at 20 dBm <sup>3</sup>	VDC	-	0.38	-

(2) Measured using constant current.

(3) Measured with Vd4=5.0V

# 17.0-24.0 GHz GaAs MMIC Power Amplifier

## Power Amplifier Measurements



# 17.0-24.0 GHz GaAs MMIC Power Amplifier

July 2006 - Rev 30-Jul-06

## S-Parameters

### Typical S-Parameter Data for XP1019

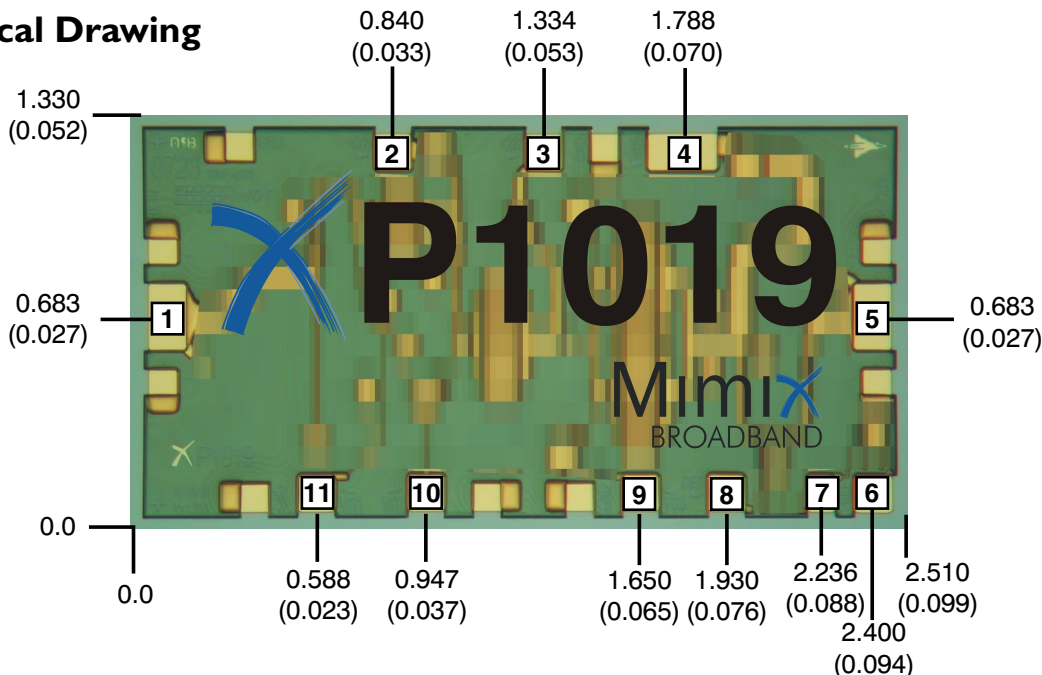
Vd=5.0 V Id=700 m A

Frequency (GHz)	S11 (Mag)	S11 (Ang)	S21 (Mag)	S21 (Ang)	S12 (Mag)	S12 (Ang)	S22 (Mag)	S22 (Ang)
10.0	0.252	122.39	0.379	-26.37	0.0003	-163.87	0.890	-89.12
11.0	0.373	112.12	0.920	-102.87	0.0006	172.52	0.872	-98.32
12.0	0.391	89.89	1.507	-169.30	0.0007	159.33	0.858	-108.64
13.0	0.349	61.57	2.365	133.83	0.0010	137.93	0.829	-120.69
14.0	0.279	22.84	3.747	76.53	0.0008	108.61	0.776	-134.36
15.0	0.237	-28.45	5.584	14.91	0.0009	112.87	0.687	-149.39
16.0	0.260	-78.69	7.363	-49.63	0.0010	106.94	0.566	-165.22
17.0	0.314	-114.97	8.498	-113.35	0.0010	102.86	0.426	178.12
18.0	0.356	-142.47	8.985	-174.76	0.0021	74.88	0.264	157.69
19.0	0.363	-162.55	8.815	126.97	0.0023	33.03	0.078	138.88
20.0	0.355	-177.85	8.498	72.57	0.0022	-12.77	0.086	-77.25
21.0	0.351	164.00	8.600	19.84	0.0006	-41.57	0.202	-91.01
22.0	0.294	136.19	9.007	-35.96	0.0004	5.99	0.285	-113.09
23.0	0.167	83.71	9.510	-98.83	0.0008	20.82	0.335	-139.02
24.0	0.193	-39.25	8.785	-171.72	0.0010	1.80	0.356	-170.99
25.0	0.373	-94.57	6.139	113.00	0.0011	-24.23	0.381	145.32
26.0	0.479	-119.90	3.595	44.81	0.0008	-61.44	0.451	95.77
27.0	0.563	-134.63	1.901	-17.57	0.0006	-89.82	0.573	50.86
28.0	0.646	-146.72	0.923	-73.69	0.0004	-107.07	0.704	15.17
29.0	0.723	-158.47	0.422	-122.99	0.0003	-105.82	0.797	-11.82
30.0	0.779	-169.75	0.188	-165.79	0.0006	168.26	0.850	-32.73

# 17.0-24.0 GHz GaAs MMIC Power Amplifier

July 2006 - Rev 30-Jul-06

## Mechanical Drawing

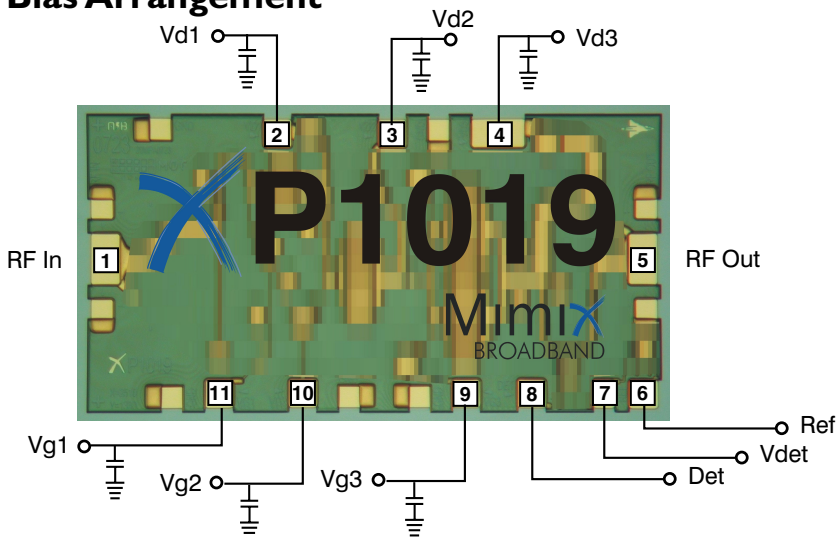


(Note: Engineering designator is 20MPA0723)

Units: millimeters (inches) Bond pad dimensions are shown to center of bond pad.  
 Thickness: 0.110 +/- 0.010 (0.0043 +/- 0.0004), Backside is ground, Bond Pad/Backside Metallization: Gold  
 All DC Bond Pads (except Vd3) are 0.100 x 0.100 (0.004 x 0.004). All RF Bond Pads (and Vd3) are 0.100 x 0.200 (0.004 x 0.008)  
 Bond pad centers are approximately 0.109 (0.004) from the edge of the chip.  
 Dicing tolerance: +/- 0.005 (+/- 0.0002). Approximate weight: 2.07 mg.

Bond Pad #1 (RF In)	Bond Pad #3 (Vd2)	Bond Pad #5 (RF Out)	Bond Pad #7 (Vdet)	Bond Pad #9 (Vg3)
Bond Pad #2 (Vd1)	Bond Pad #4 (Vd3)	Bond Pad #6 (Ref)	Bond Pad #8 (Det)	Bond Pad #10 (Vg2)
				Bond Pad #11 (Vg1)

## Bias Arrangement



Bypass Capacitors - See App Note [2]

# 17.0-24.0 GHz GaAs MMIC Power Amplifier

July 2006 - Rev 30-Jul-06

**App Note [1] Biasing** - It is recommended to separately bias each amplifier stage Vd1 through Vd3 at Vd(1,2,3)=5.0V with Id1=100mA, Id2=200mA and Id3=300mA. Separate biasing is recommended if the amplifier is to be used at high levels of saturation, where gate rectification will alter the effective gate control voltage. For non-critical applications it is possible to parallel all stages and adjust the common gate voltage for a total drain current Id(total)=700 mA. It is also recommended to use active biasing to keep the currents constant as the RF power and temperature vary; this gives the most reproducible results. Depending on the supply voltage available and the power dissipation constraints, the bias circuit may be a single transistor or a low power operational amplifier, with a low value resistor in series with the drain supply used to sense the current. The gate of the pHEMT is controlled to maintain correct drain current and thus drain voltage. The typical gate voltage needed to do this is -0.7V. Typically the gate is protected with Silicon diodes to limit the applied voltage. Also, make sure to sequence the applied voltage to ensure negative gate bias is available before applying the positive drain supply.

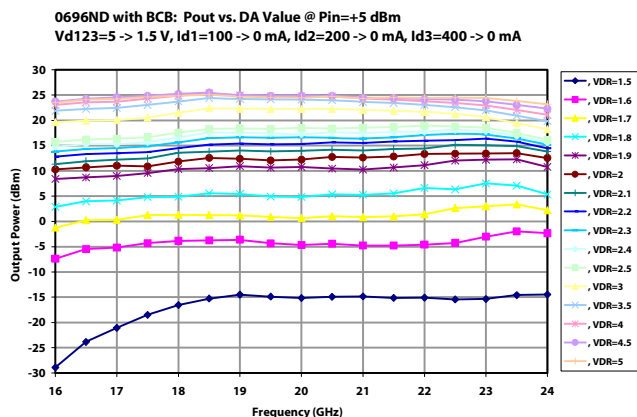
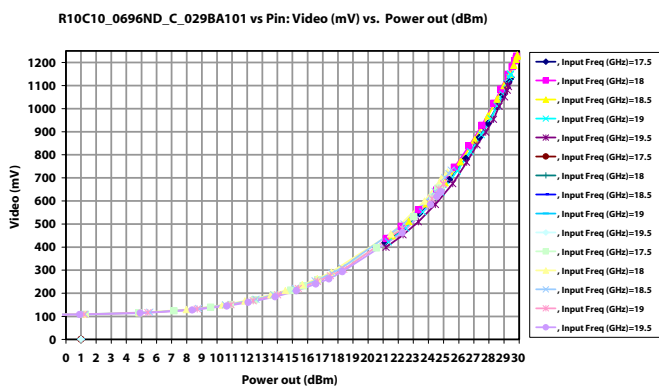
## App Note [2] Bias Arrangement -

For Parallel Stage Bias (Recommended for general applications) -- The same as Individual Stage Bias but all the drain or gate pad DC bypass capacitors (~100-200 pF) can be combined. Additional DC bypass capacitance (~0.01 uF) is also recommended to all DC or combination (if gate or drains are tied together) of DC bias pads.

For Individual Stage Bias (Recommended for saturated applications) -- Each DC pad (Vd1,2,3 and Vg1,2,3) needs to have DC bypass capacitance (~100-200 pF) as close to the device as possible. Additional DC bypass capacitance (~0.01 uF) is also recommended.

**App Note [3] On Board Detector** - The output signal of the power amplifier is coupled via a 15 dB directional coupler to a detector, which comprises a diode connected to the signal path, and a second diode used to provide a temperature compensation signal. The common bias terminal is Vdet, and is nominally set to forward bias both diodes. The Vdet port can be connected directly to a 5V bias, and given the internal series resistance, results in about 1mA of bias current.

**App Note [4] Output Power Adjust Using Drain/Gate Control** - This device has a very useful additional feature. The output power can be adjusted by lowering the combined drain voltages and individual or combined gate voltages towards pinch off without sacrificing much in the way of Input/Output 3rd Order Intercept Point. Improvements to the IIP3/OIP3 while attenuating the gain are also possible with individual gate control. Data here has been taken using combined drain and gate control (all gates changed together) to lower the device's output power. The results are shown below. Additionally, the accompanying graph shows the typical level of attenuation achievable as the drain and gate is adjusted at various levels until pinch-off.

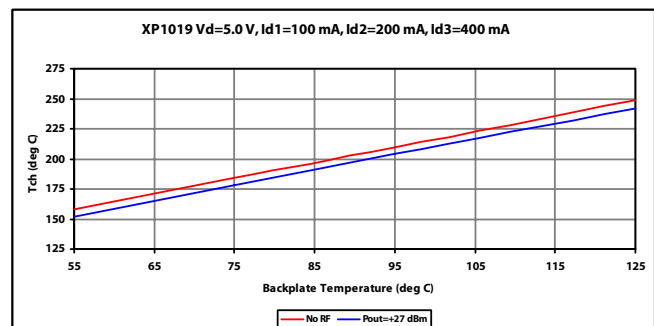
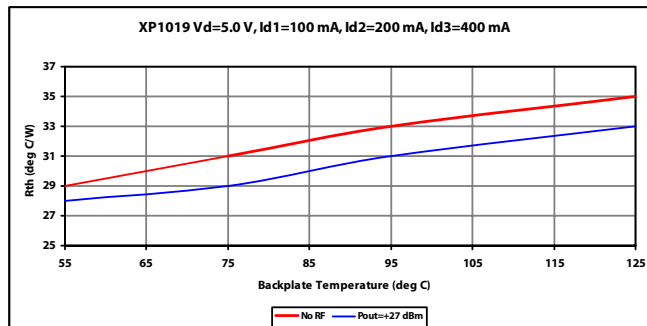
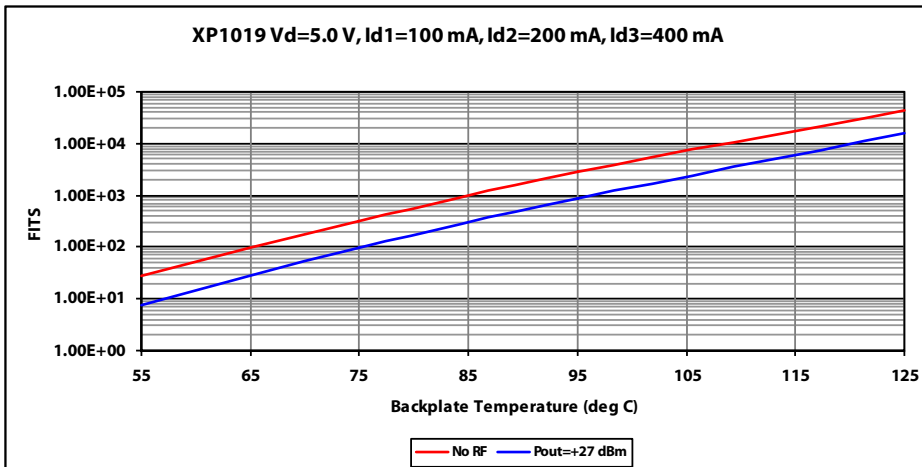
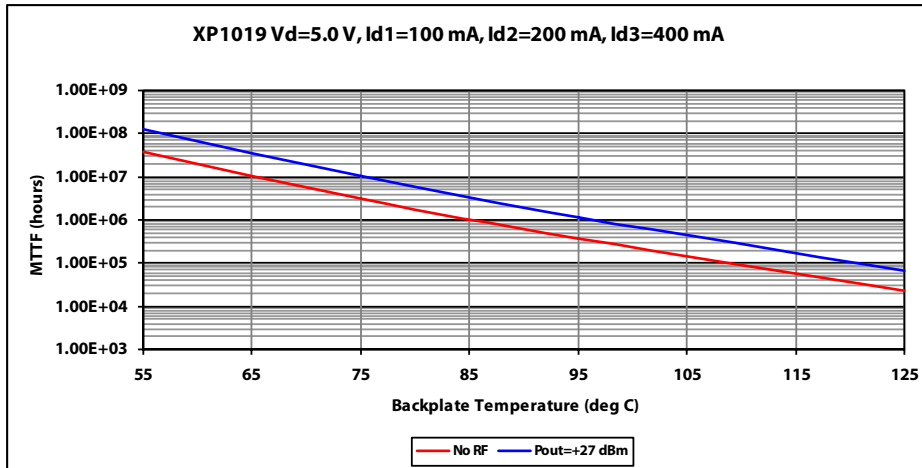


# 17.0-24.0 GHz GaAs MMIC Power Amplifier

July 2006 - Rev 30-Jul-06

## MTTF Graph

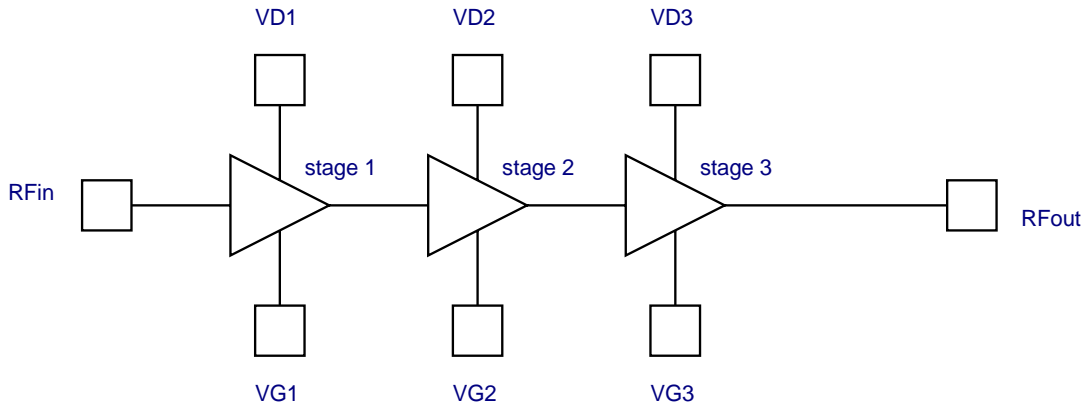
These numbers were calculated based on accelerated life test information and thermal model analysis received from the fabricating foundry.



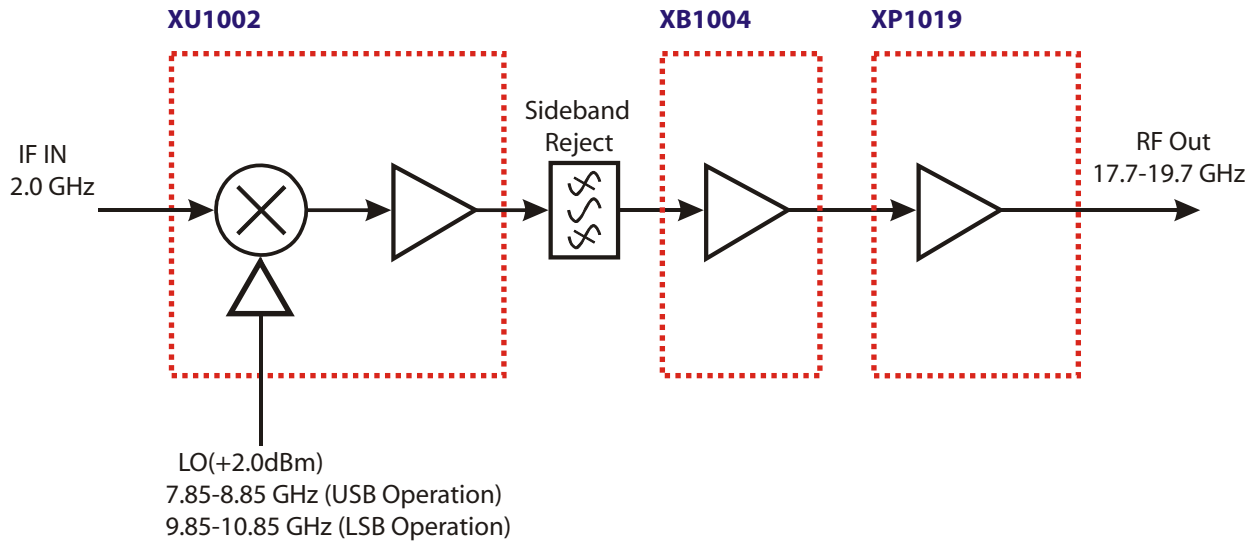
# 17.0-24.0 GHz GaAs MMIC Power Amplifier

July 2006 - Rev 30-Jul-06

## Device Schematic



## Typical Application



### Mimix Broadband MMIC-based 18.0-25.0 GHz Transmitter Block Diagram

(Changing LO and IF frequencies as required allows design to operate as high as 25.0 GHz)

Mimix Broadband's 18.0-25.0 GHz XU1002 GaAs MMIC Transmitter can be used in saturated radio applications and linear modulation schemes up to 16 QAM. The transmitter can be used in upper and lower sideband applications from 18.0-25.0 GHz.

# 17.0-24.0 GHz GaAs MMIC Power Amplifier

July 2006 - Rev 30-Jul-06

## Handling and Assembly Information

**CAUTION!** - Mimix Broadband MMIC Products contain gallium arsenide (GaAs) which can be hazardous to the human body and the environment. For safety, observe the following procedures:

- Do not ingest.
- Do not alter the form of this product into a gas, powder, or liquid through burning, crushing, or chemical processing as these by-products are dangerous to the human body if inhaled, ingested, or swallowed.
- Observe government laws and company regulations when discarding this product. This product must be discarded in accordance with methods specified by applicable hazardous waste procedures.

**Life Support Policy** - Mimix Broadband's products are not authorized for use as critical components in life support devices or systems without the express written approval of the President and General Counsel of Mimix Broadband. As used herein: (1) Life support devices or systems are devices or systems which, (a) are intended for surgical implant into the body, or (b) support or sustain life, and whose failure to perform when properly used in accordance with instructions for use provided in the labeling, can be reasonably expected to result in a significant injury to the user. (2) A critical component is any component of a life support device or system whose failure to perform can be reasonably expected to cause the failure of the life support device or system, or to affect its safety or effectiveness.

**ESD** - Gallium Arsenide (GaAs) devices are susceptible to electrostatic and mechanical damage. Die are supplied in antistatic containers, which should be opened in cleanroom conditions at an appropriately grounded anti-static workstation. Devices need careful handling using correctly designed collets, vacuum pickups or, with care, sharp tweezers.

**Die Attachment** - GaAs Products from Mimix Broadband are 0.100 mm (0.004") thick and have vias through to the backside to enable grounding to the circuit. Microstrip substrates should be brought as close to the die as possible. The mounting surface should be clean and flat. If using conductive epoxy, recommended epoxies are Tanaka TS3332LD, Die Mat DM6030HK or DM6030HK-Pt cured in a nitrogen atmosphere per manufacturer's cure schedule. Apply epoxy sparingly to avoid getting any on to the top surface of the die. An epoxy fillet should be visible around the total die periphery. For additional information please see the Mimix "Epoxy Specifications for Bare Die" application note. If eutectic mounting is preferred, then a fluxless gold-tin (AuSn) preform, approximately 0.001" thick, placed between the die and the attachment surface should be used. A die bonder that utilizes a heated collet and provides scrubbing action to ensure total wetting to prevent void formation in a nitrogen atmosphere is recommended. The gold-tin eutectic (80% Au 20% Sn) has a melting point of approximately 280°C (Note: Gold Germanium should be avoided). The work station temperature should be 310°C +/- 10°C. Exposure to these extreme temperatures should be kept to minimum. The collet should be heated, and the die pre-heated to avoid excessive thermal shock. Avoidance of air bridges and force impact are critical during placement.

**Wire Bonding** - Windows in the surface passivation above the bond pads are provided to allow wire bonding to the die's gold bond pads. The recommended wire bonding procedure uses 0.076 mm x 0.013 mm (0.003" x 0.0005") 99.99% pure gold ribbon with 0.5-2% elongation to minimize RF port bond inductance. Gold 0.025 mm (0.001") diameter wedge or ball bonds are acceptable for DC Bias connections. Aluminum wire should be avoided. Thermo-compression bonding is recommended though thermosonic bonding may be used providing the ultrasonic content of the bond is minimized. Bond force, time and ultrasonics are all critical parameters. Bonds should be made from the bond pads on the die to the package or substrate. All bonds should be as short as possible.

### Part Number for Ordering

XP1019-BD-000X

XP1019-BD-EV1

### Description

Where "X" is RoHS compliant die packed in "V" - vacuum release gel paks or "W" - waffle trays

XP1019 die evaluation module