

TENTATIVE

Features and Applications

- Low ON-state resistance.
- Low Qg.

Absolute Maximum Ratings / Ta=25°C

			unit
Drain to Source Voltage	V _{DSS}	500	V
Gate to Source Voltage	V _{GSS}	±30	V
Drain Current(DC)	I _D *	10	A
Drain Current(Pulse)	I _{DP}	40	A
Allowable power Dissipation	P _D (TC=25°C)	50	W
Channel Temperature	T _{ch}	150	°C
Storage Temperature	T _{stg}	-55 to ±150	°C

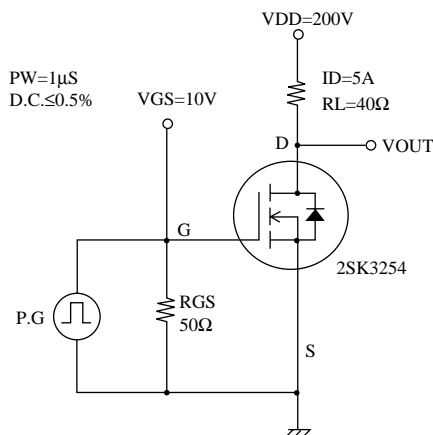
*):Chip Performance Shown

Electrical Characteristics / Ta=25°C

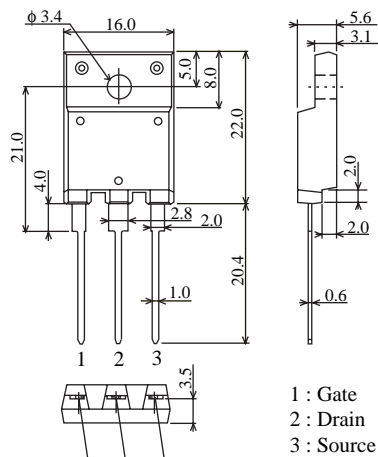
			min	typ	max	unit
Drain to Source Breakdown Voltage	V(BR) _{DSS}	I _D =1mA , V _{GS} =0	500			V
Zero Gate Voltage Drain Current	I _{DSS}	V _D =500V , V _{GS} =0			250	μA
Gate to Source Leakage Current	I _{GSS}	V _{GS} =±30V , V _D =0			±100	nA
Cutoff Voltage	V _{GS(off)}	V _D =10V , I _D =1mA	2.5		3.5	V
Forward Transfer Admittance	y _{fs}	V _D =10V , I _D =5A	2.4	6.3		S
Static Drain to Source On State Resistance	R _{DS(on)}	I _D =5A , V _{GS} =10V		0.8	1.0	Ω
Input Capacitance	C _{iss}	V _D =20V , f=1MHz		880		pF
Output Capacitance	C _{oss}	V _D =20V , f=1MHz		140		pF
Reverse Transfer Capacitance	C _{rss}	V _D =20V , f=1MHz		48		pF
Total Gate Charge	Q _g	V _D =200V , I _D =5A V _{GS} =10V		30		nC
Turn-ON Delay Time	t _{d(on)}	See Specified Test Circuit		17		ns
Rise Time	t _r			35		ns
Turn-OFF Delay Time	t _{d(off)}			100		ns
Fall Time	t _f			38		ns
Diode Forward Voltage	V _{SD}	I _S =5A , V _{GS} =0			1.5	V

(Note) Be careful in handling the 2SK3254 because it has no protection diode between gate and source.

Switching Time Test Circuit



Package Dimensions TO-3PML(unit:mm)



Specifications and information herein are subject to change without notice.