

Compact medium speed thick film thermal printhead (8 dots / mm)

KF2003-GC10A

The KF2003-GC10A is a standard 24 V thick-film thermal printhead with a printing speed of 3 inches / second, developed mainly for label printers.

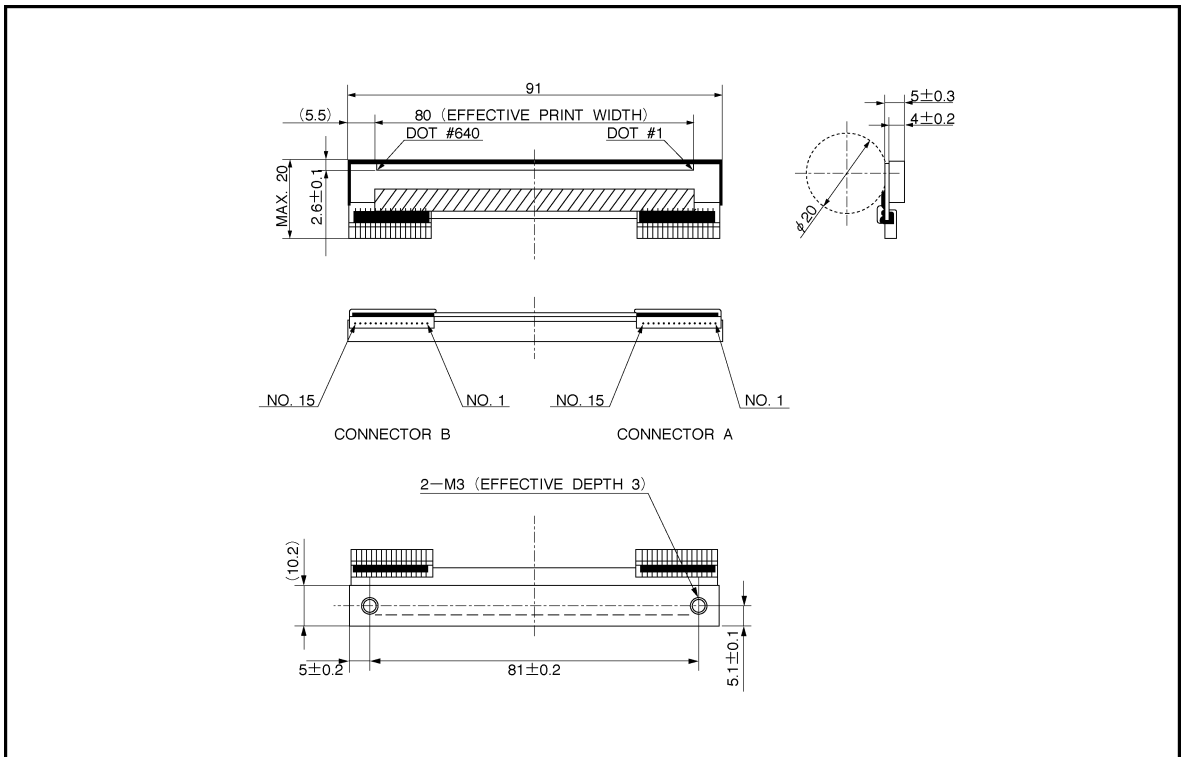
Applications

Label printers
 Ticket printers
 Terminal printers

Features

- 1) A new pin connector structure greatly reduces the size and weight.
- 2) A newly developed driving IC improves data transmission speed (8MHz) and ON resistance (half of the conventional product) to support a wide variety of control methods.
- 3) One rank resistance value of $800\Omega \pm 3\%$ eliminates the inconvenience of rank selection.
- 4) 2-inch, 3-inch and 4-inch series are available.

External dimensions (Units: mm)



Equivalent circuit

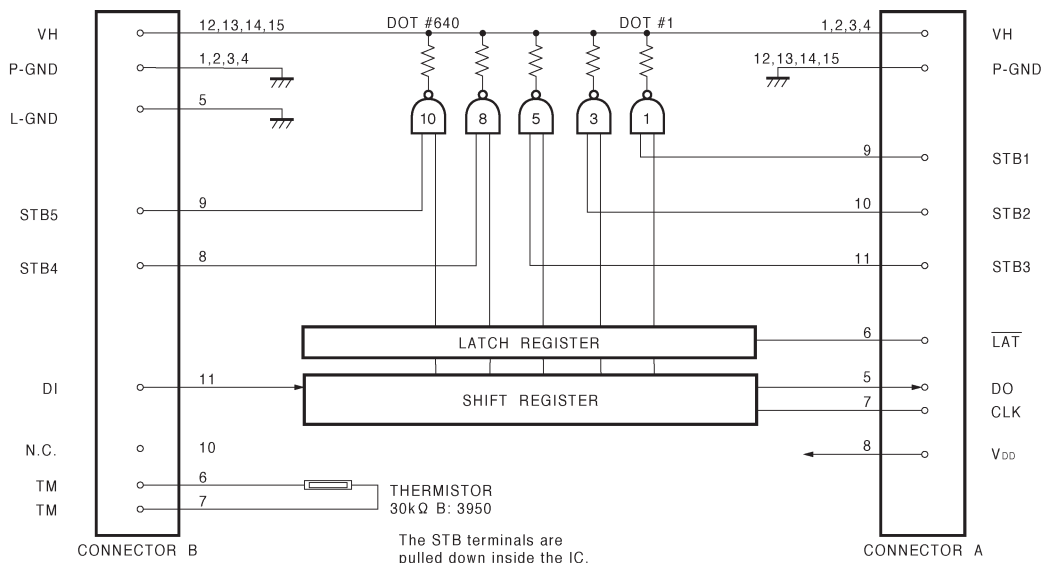


Fig. 1

Pin assignments

CONNEXOR A

No.	Circuit
1	VH
2	VH
3	VH
4	VH
5	DO
6	$\overline{\text{LAT}}$
7	CLK
8	V _{DD}
9	STB1
10	STB2
11	STB3
12	P-GND
13	P-GND
14	P-GND
15	P-GND

CONNEXOR B

No.	Circuit
1	P-GND
2	P-GND
3	P-GND
4	P-GND
5	L-GND
6	TM
7	TM
8	STB4
9	STB5
10	N.C.
11	DI
12	VH
13	VH
14	VH
15	VH

L-GND: LOGIC GROUND
P-GND: POWER GROUND

Timing chart

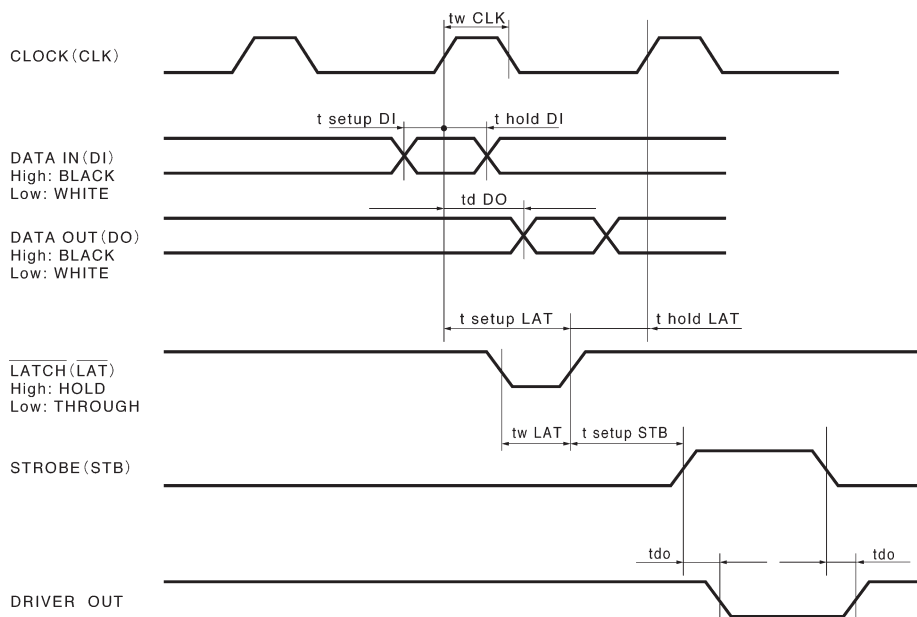


Fig. 2

Characteristics

Parameter	Symbol	Typical	Unit
Effective printing width	—	80	mm
Dot pitch	—	0.125	mm
Total dot number	—	640	dots
Average resistance value	Rave	800	Ω
Applied voltage	V_H	24	V
Applied power	P_O	0.63	W / dot
Print cycle	SLT	2.5	ms
Pulse width	T_{ON}	0.35	ms
Maximum number of dots energized simultaneously	—	384	dots
Maximum clock frequency	—	8	MHz
Maximum roller diameter	—	ϕ 20.0	mm
Running life / pulse life	—	50 / 5×10^7	km / pulses
Operating temperature	—	5~45	$^{\circ}\text{C}$

Electrical characteristic curves

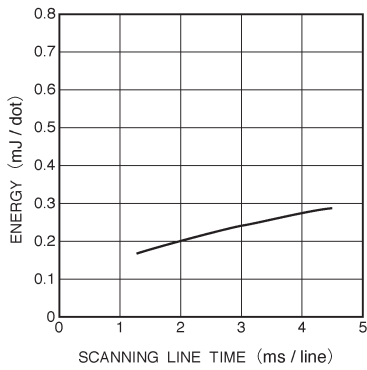


Fig. 3 Adaptive speed chart

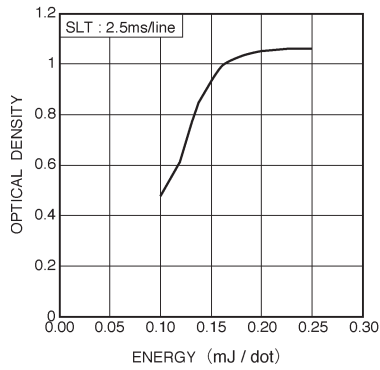


Fig. 4 Representative density curve

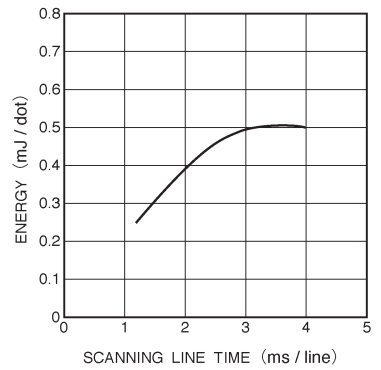


Fig. 5 Maximum energy curve

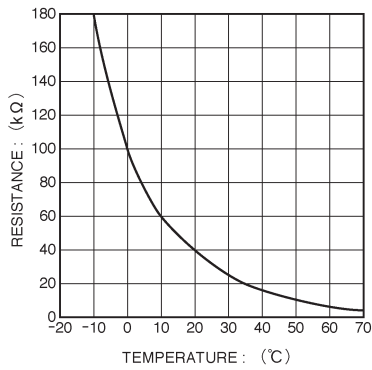


Fig. 6 Thermistor curve