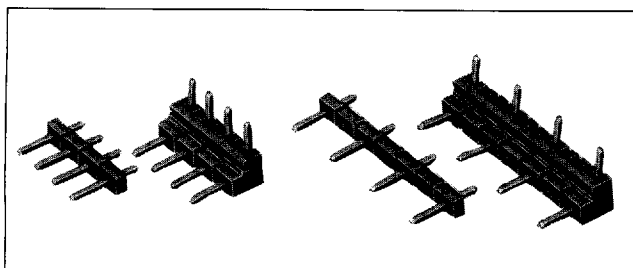


# BUCHANAN® electronic connectors

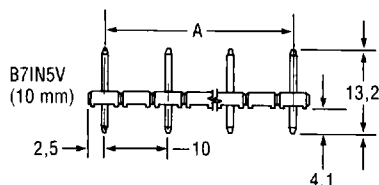
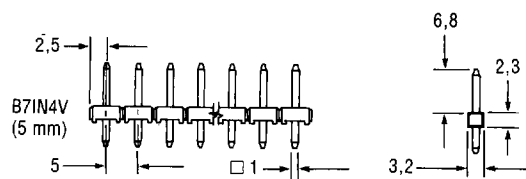
## SERIES 71 Flush-mount Printed Circuit Board Headers (5mm and 10mm for Series 51 Plug-in Connector)



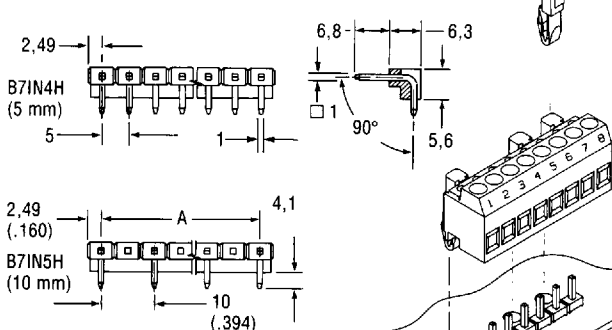
**PITCH (center-to-center terminal spacing):**  
5mm and 10mm

### DIMENSIONS

#### Vertical



#### Horizontal



Series 51 Optional Polarizing Latch  
Catalog Number B51LP1

### DESIGN FEATURES

- Flush mount 5mm and 10mm headers
- Mate with Series 51 flush mount connectors (5mm and 10mm)
- Allows for vertical or horizontal mounting of connectors
- Optional longer pins also available
- Header insulator resistant to buckling from fluid solder — UL 94 V-0 rated
- Header color coded "black" to distinguish from 5,08 and 10,16mm "brown" design
- 5mm version available from 2-24 pins — sizes up to 48 pins available on special request
- Gold and silver plated terminals available in addition to standard tin plating

### TECHNICAL DATA

#### ELECTRICAL:

Maximum Current: 15A  
Operating Voltage: 300V (5mm), 600V (10mm)

#### MATERIALS:

**Housing** Liquid crystal polymer  
Color: Black  
Flammability: UL 94 V-0

**Pin** Phosphor bronze, tin plated

#### MECHANICAL:

Pitch (pin spacing): 5mm and 10mm  
Recommended PCB Hole Dia.: 1,7mm

#### ENVIRONMENTAL:

Operating Temperature Range:  
-30°C to +120°C Gold and silver contact system  
-30°C to +105°C Tin contact system

#### AGENCY APPROVALS:



### ORDERING INFORMATION

No. of Term.	Catalog No. 5mm Vertical	Catalog No. 5mm Horizontal	Catalog No. 10mm Vertical	Catalog No. 10mm Horizontal	No. of Term.	Catalog No. 5mm Vertical	Catalog No. 5mm Horizontal	Catalog No. 10mm Vertical	Catalog No. 10mm Horizontal
2	B71N4V02T	B71N4H02T	B71N5V02T	B71N5H02T	17	B71N4V17T	B71N4H17T		
3	B71N4V03T	B71N4H03T	B71N5V03T	B71N5H03T	18	B71N4V18T	B71N4H18T		
4	B71N4V04T	B71N4H04T	B71N5V04T	B71N5H04T	19	B71N4V19T	B71N4H19T		
5	B71N4V05T	B71N4H05T	B71N5V05T	B71N5H05T	20	B71N4V20T	B71N4H20T		
6	B71N4V06T	B71N4H06T	B71N5V06T	B71N5H06T	21	B71N4V21T	B71N4H21T		
7	B71N4V07T	B71N4H07T	B71N5V07T	B71N5H07T	22	B71N4V22T	B71N4H22T		
8	B71N4V08T	B71N4H08T	B71N5V08T	B71N5H08T	23	B71N4V23T	B71N4H23T		
9	B71N4V09T	B71N4H09T	B71N5V09T	B71N5H09T	24	B71N4V24T	B71N4H24T		
10	B71N4V10T	B71N4H10T	B71N5V10T	B71N5H10T					
11	B71N4V11T	B71N4H11T	B71N5V11T	B71N5H11T					
12	B71N4V12T	B71N4H12T	B71N5V12T	B71N5H12T					
13	B71N4V13T	B71N4H13T							
14	B71N4V14T	B71N4H14T							
15	B71N4V15T	B71N4H15T							
16	B71N4V16T	B71N4H16T							