

HIGH VOLTAGE NPN SILICON TRANSISTOR

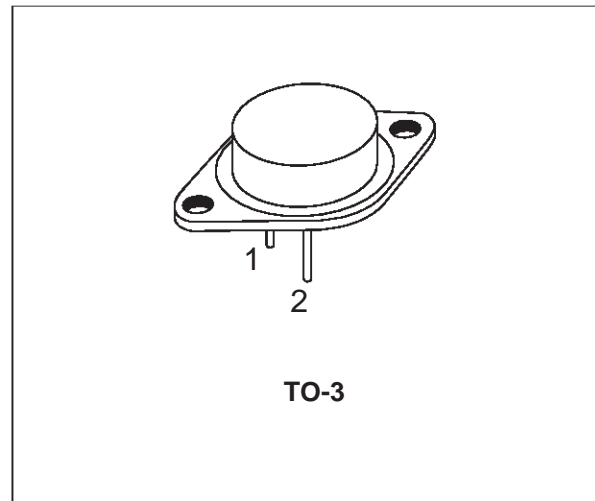
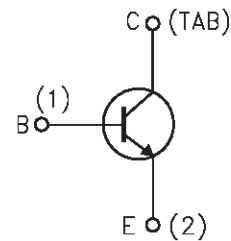
- STM PREFERRED SALESTYPE
- NPN TRANSISTOR
- HIGH VOLTAGE CAPABILITY
- HIGH CURRENT CAPABILITY
- FAST SWITCHING SPEED
- HIGH POWER TO-3 PACKAGE

APPLICATIONS:

- HORIZONTAL DEFLECTION FOR COLOUR TV
- SWITCHING REGULATORS

DESCRIPTION

The BUY69A is a silicon multiepitaxial mesa NPN transistor in Jedec TO-3 metal case. It is intended for horizontal deflection output stage of CTV receivers and high voltage, fast switching and industrial applications.


INTERNAL SCHEMATIC DIAGRAM

ABSOLUTE MAXIMUM RATINGS

| Symbol | Parameter | Value | Unit |
|-----------|---|------------|------|
| V_{CES} | Collector-Emitter Voltage ($V_{BE} = 0$) | 1000 | V |
| V_{CEO} | Collector-Emitter Voltage ($I_B = 0$) | 400 | V |
| V_{EBO} | Emitter-Base Voltage ($I_C = 0$) | 8 | V |
| I_C | Collector Current | 10 | A |
| I_{CM} | Collector Peak Current ($t_p \leq 10$ ms) | 15 | A |
| I_B | Base Current | 3 | A |
| P_{tot} | Total Dissipation at $T_c \leq 25$ °C | 100 | W |
| T_{stg} | Storage Temperature | -65 to 200 | °C |
| T_j | Max. Operating Junction Temperature | 200 | °C |

BUY69A

THERMAL DATA

| | | | | |
|----------------|----------------------------------|-----|------|---------------|
| $R_{thj-case}$ | Thermal Resistance Junction-case | Max | 1.75 | $^{\circ}C/W$ |
|----------------|----------------------------------|-----|------|---------------|

ELECTRICAL CHARACTERISTICS ($T_{case} = 25^{\circ}C$ unless otherwise specified)

| Symbol | Parameter | Test Conditions | | Min. | Typ. | Max. | Unit |
|----------------|--|--|------------------|------|------|------------|--------------------|
| I_{CES} | Collector Cut-off Current ($V_{BE} = 0$) | $V_{CE} = 1000 V$ | | | | 1 | mA |
| I_{EBO} | Emitter Cut-off Current ($I_C = 0$) | $V_{EB} = 8 V$ | | | | 1 | mA |
| $V_{CEO(sus)}$ | Collector-Emitter Sustaining Voltage | $I_C = 100 mA$ | | 1000 | | | V |
| $V_{CE(sat)*}$ | Collector-Emitter Saturation Voltage | $I_C = 8 A$ | $I_B = 2.5 A$ | | | 3.3 | V |
| $V_{BE(sat)*}$ | Base-Emitter Saturation Voltage | $I_C = 8 A$ | $I_B = 2.5 A$ | | | 2.2 | V |
| h_{FE*} | DC Current Gain | $I_C = 2.5 A$ | $V_{CE} = 10 V$ | 15 | | | |
| f_T | Transition Frequency | $I_C = 0.5 A$ | $V_{CE} = 10 V$ | | 10 | | MHz |
| $I_{s/b}^{**}$ | Second Breakdown Collector Current | $V_{CE} = 25 V$ | | 4 | | | A |
| t_{on} | Turn on Time | $I_C = 5 A$ $I_{B1} = 1 A$ | $V_{CE} = 250 V$ | | 0.2 | | μs |
| t_s t_s | Storage Time Fall Time | $I_C = 5 A$ $I_{B1} = - I_{B2} = 1 A$ | $V_{CE} = 250 V$ | | | 1.7 0.3 | μs μs |
| t_f | Fall Time | $I_C = 8 A$ $I_{B1} = - I_{B2} = 2.5 A$ | $V_{CE} = 40 V$ | | | 1 | μs |

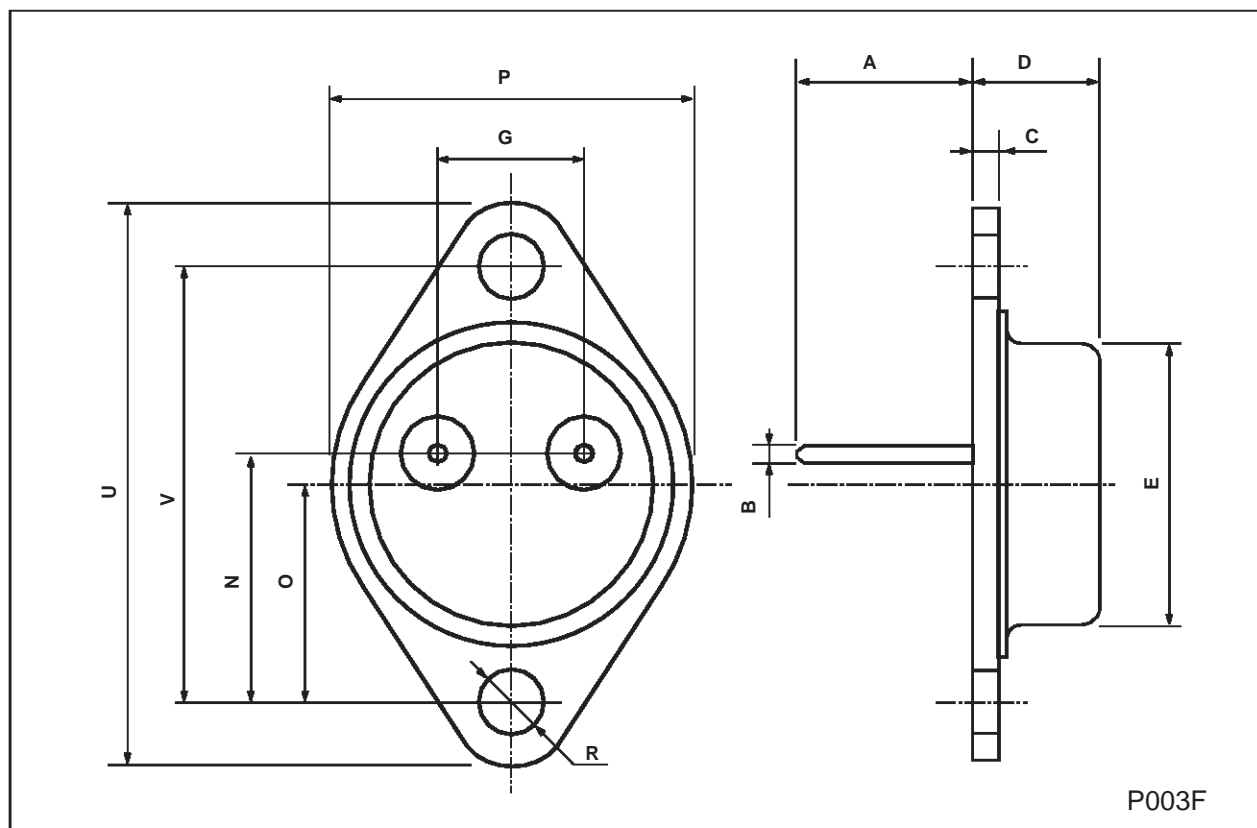
* Pulsed: Pulse duration = 300 μs , duty cycle 1.5 %

** Pulsed: 1s, non repetitive pulse.

For characteristics curves see the BUW34/5/6 series.

TO-3 MECHANICAL DATA

| DIM. | mm | | | inch | | |
|------|-------|------|-------|-------|------|-------|
| | MIN. | TYP. | MAX. | MIN. | TYP. | MAX. |
| A | 11.00 | | 13.10 | 0.433 | | 0.516 |
| B | 0.97 | | 1.15 | 0.038 | | 0.045 |
| C | 1.50 | | 1.65 | 0.059 | | 0.065 |
| D | 8.32 | | 8.92 | 0.327 | | 0.351 |
| E | 19.00 | | 20.00 | 0.748 | | 0.787 |
| G | 10.70 | | 11.10 | 0.421 | | 0.437 |
| N | 16.50 | | 17.20 | 0.649 | | 0.677 |
| P | 25.00 | | 26.00 | 0.984 | | 1.023 |
| R | 4.00 | | 4.09 | 0.157 | | 0.161 |
| U | 38.50 | | 39.30 | 1.515 | | 1.547 |
| V | 30.00 | | 30.30 | 1.187 | | 1.193 |



Information furnished is believed to be accurate and reliable. However, STMicroelectronics assumes no responsibility for the consequences of use of such information nor for any infringement of patents or other rights of third parties which may result from its use. No license is granted by implication or otherwise under any patent or patent rights of STMicroelectronics. Specification mentioned in this publication are subject to change without notice. This publication supersedes and replaces all information previously supplied. STMicroelectronics products are not authorized for use as critical components in life support devices or systems without express written approval of STMicroelectronics.

The ST logo is a trademark of STMicroelectronics

© 1998 STMicroelectronics – Printed in Italy – All Rights Reserved
STMicroelectronics GROUP OF COMPANIES

Australia - Brazil - Canada - China - France - Germany - Italy - Japan - Korea - Malaysia - Malta - Mexico - Morocco - The Netherlands -
Singapore - Spain - Sweden - Switzerland - Taiwan - Thailand - United Kingdom - U.S.A.