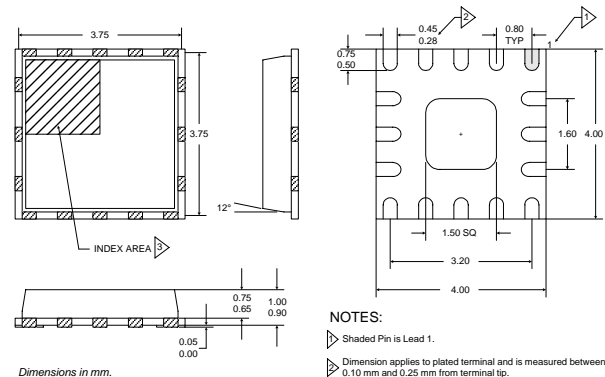


Typical Applications

- 3V 1850-1910MHz CDMA PCS Handsets
- 3V 1750-1780MHz CDMA PCS Handsets
- 3V TDMA PCS Handsets
- Spread-Spectrum Systems
- Commercial and Consumer Systems
- Portable Battery-Powered Equipment

Product Description

The RF2157 is a high-power, high-efficiency linear amplifier IC targeting 3V handheld systems. The device is manufactured on an advanced Gallium Arsenide Heterojunction Bipolar Transistor (HBT) process, and has been designed for use as the final RF amplifier in dual-mode 3V CDMA and TDMA handheld digital equipment, spread-spectrum systems, and other applications in the 1710MHz to 1910MHz band. The device is packaged in a compact 4mmx4mm LCC, as well as a 4mmx4mm MLF (micro leaded package). The frequency response can be optimized for linear performance over 1710MHz to 1910MHz. The device features a digital mode switch which can be used to minimize operating current under low output power conditions.



- NOTES:**
- ▷ Shaded Pin is Lead 1.
 - ▷ Dimension applies to plated terminal and is measured between 0.10 mm and 0.25 mm from terminal tip.
 - ▷ The terminal #1 identifier and terminal numbering convention shall conform to JEDEC 95-1 SPP-012. Details of terminal #1 identifier are optional, but must be located within the zone indicated. The identifier may be either a mold or marked feature.
 - 4 Pins 1 and 9 are fused.
 - 5 Package Warpage: 0.05 max.

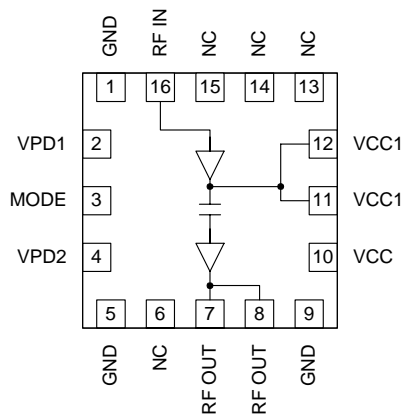
Optimum Technology Matching® Applied

- | | | |
|-------------------------------------|--|--------------------------------------|
| <input type="checkbox"/> Si BJT | <input checked="" type="checkbox"/> GaAs HBT | <input type="checkbox"/> GaAs MESFET |
| <input type="checkbox"/> Si Bi-CMOS | <input type="checkbox"/> SiGe HBT | <input type="checkbox"/> Si CMOS |

Package Style: LCC, 16-Pin, 4 x 4

Features

- Single 3V Supply
- 29dBm Linear Output Power
- 24dB Linear Gain
- 35% Linear Efficiency
- On-board Power Down Mode
- 1750MHz to 1910MHz Operation



Functional Block Diagram

Ordering Information

- | | |
|-------------|----------------------------------|
| RF2157 | PCS CDMA Power Amplifier |
| RF2157 PCBA | Fully Assembled Evaluation Board |

RF Micro Devices, Inc.
7625 Thorndike Road
Greensboro, NC 27409, USA

Tel (336) 664 1233
Fax (336) 664 0454
<http://www.rfmd.com>

RF2157

Absolute Maximum Ratings

Parameter	Rating	Unit
Supply Voltage (RF off)	+8.0	V _{DC}
Supply Voltage (P _{OUT} ≤31dBm)	+4.5	V _{DC}
Mode Voltage (V _{MODE})	+3.5	V _{DC}
Control Voltage (V _{PD})	+3.5	V _{DC}
Input RF Power	+12	dBm
Operating Case Temperature	-30 to +110	°C
Storage Temperature	-65 to +150	°C



Caution! ESD sensitive device.

RF Micro Devices believes the furnished information is correct and accurate at the time of this printing. However, RF Micro Devices reserves the right to make changes to its products without notice. RF Micro Devices does not assume responsibility for the use of the described product(s).

Parameter	Specification			Unit	Condition
	Min.	Typ.	Max.		
Overall					T=25°C, V _{CC} =3.4V, V _{PD} =2.8V, P _{OUT} =29dBm, unless otherwise specified
Usable Frequency Range	1750		1910	MHz	
Typical Frequency Range		1750-1780 1850-1910		MHz	Tuned Matching Network
Linear Gain	23	25	28	dB	Tuned Matching Network
	22	24	26	dB	P _{OUT} =29dBm, V _{MODE} ≤0.5V
Small Signal Gain	22	27	29	dB	P _{OUT} =29dBm, V _{MODE} ≥2.5V
Second Harmonic (Including second harmonic trap)		-35		dBc	P _{IN} ≤-20dBm
Third Harmonic		-40		dBc	
Fourth Harmonic		-45		dBc	
CDMA					V _{MODE} ≥2.5V
Linear Output Power	29			dBm	
	28			dBm	V _{CC} =3.0V
Linear Efficiency	33	37		%	P _{OUT} =16dBm
		6			
CDMA ACPR @ 1.25MHz		-46	-44	dBc	
Noise Power @ 80MHz Offset		-139		dBm/Hz	
CDMA					V _{MODE} ≤0.5V
Linear Output Power	29			dBm	
Linear Efficiency	30	35		%	
CDMA ACPR @ 1.25MHz		-46	-44	dBc	
Noise Power @ 80MHz Offset		-139		dBm/Hz	
TDMA					
Linear Efficiency	30	37		%	
TDMA ACPR @ 30kHz Offset		-31	-28	dBc	
TDMA ACPR @ 60kHz Offset		-52	-48	dBc	
Input VSWR		< 2:1			
Output Load VSWR			10:1		No damage.
Stability	5:1				
Junction to Case Thermal Resistance		25		°C/W	

Parameter	Specification			Unit	Condition
	Min.	Typ.	Max.		
Power Supply					
Power Supply Voltage		3.4	4.5	V	$V_{MODE} \leq 0.5V$ $V_{MODE} = 2.8V$ $V_{CC} = 3.4V, V_{PD} = 2.8V, V_{MODE} = 2.8V$ No RF input power applied. $V_{PD} \leq 0.2V$ $R_1 = 1k\Omega$
Idle Current		325		mA	
	110	140	175	mA	
V_{PD} Current	7		9	mA	
Turn On/Off Time			100	ns	
Total Current (Power Down)			10	μA	
V_{PD} Low Voltage		0	0.2	V	
V_{PD} High Voltage	2.7	2.8	2.9	V	
MODE High Voltage	2.5	2.8			
MODE Low Voltage		0	0.5		

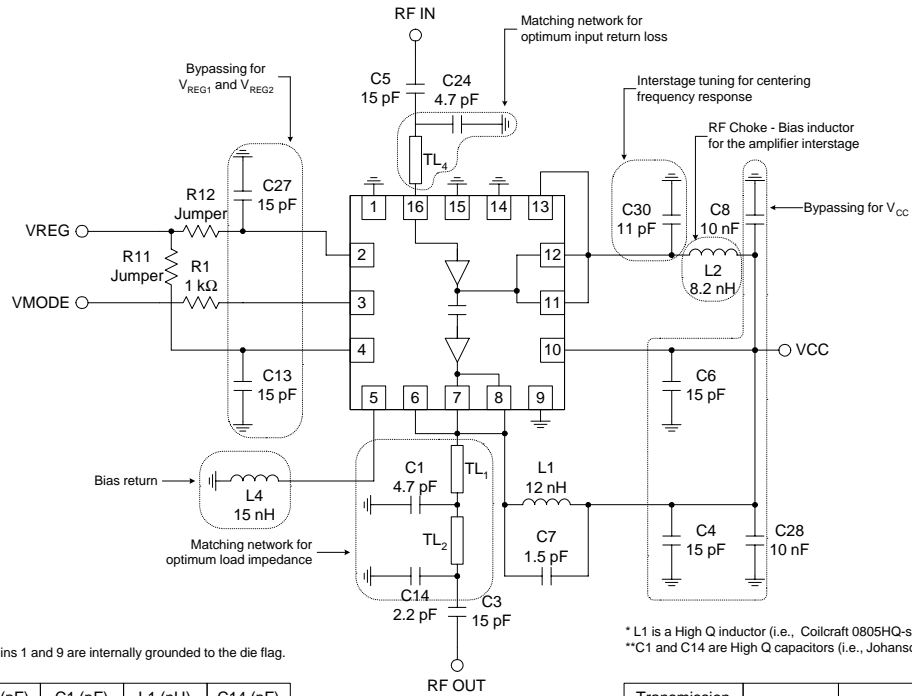
RF2157

2

POWER AMPLIFIERS

Pin	Function	Description	Interface Schematic
1	GND	This pin is internally grounded to the die flag.	
2	VPD1	Power down control for first stage. When this pin is "low", first stage circuits are shut off. When this pin is 2.8V, all first stage circuits are operating normally. V _{PD1} requires a regulated 2.8V for the amplifier to operate properly over all specified temperature and voltage ranges. A dropping resistor from a higher regulated voltage may be used to provide the required 2.8V.	
3	MODE	For full power operation, V _{MODE} is set low. V _{MODE} will reduce the bias current by approximately 50% when set HIGH. Large Signal Gain is reduced approximately 1.5dB at 29dBm P _{OUT} . Small Signal Gain is reduced by approximately 6dB at lower temperatures. An external series resistor is optional to limit the amount of current required.	
4	VPD2	Power down control for the second stage. When this pin is "low", the second stage circuit is shut off. When this pin is 2.8V, the second stage circuit is operating normally. V _{PD} requires a regulated 2.8V for the amplifier to operate properly over all specified temperature and voltage ranges. A dropping resistor from a higher regulated voltage may be used to provide the required 2.8V. A 15pF high frequency bypass capacitor is recommended.	
5	GND	Connect to ground plane via 15nH inductor. DC return for the second stage bias circuit.	
6	NC	This pin is internally a no connection. It is recommended that this pin be connected to either the RF output matching network or to the ground plane.	
7	RF OUT	RF output and power supply for final stage. This is the unmatched collector output of the second stage. A DC block is required following the matching components. The biasing may be provided via a parallel L-C set for resonance at the operating frequency of 1710MHz to 1910MHz. It is important to select an inductor with very low DC resistance with a 1A current rating. Alternatively, shunt microstrip techniques are also applicable and provide very low DC resistance. Low frequency bypassing is required for stability.	
8	RF OUT	Same as pin 7.	See pin 7.
9	GND	This pin is internally grounded to the die flag.	
10	VCC	Supply for bias reference and control circuits. High frequency bypassing may be necessary.	
11	VCC1	Power supply for first stage and interstage match. Pins 11 and 12 should be connected by a common trace where the pins contact the printed circuit board.	
12	VCC1	Same as pin 11.	
13	NC	This pin is internally a no connection. It is recommended that this pin be connected to either VCC1 or to the ground plane.	
14	NC	It is recommended that these pins be connected to the ground plane for improved isolation between RF IN (pin 16) and the VCC1 pins (pins 11 and 12).	
15	NC	It is recommended that these pins be connected to the ground plane for improved isolation between RF IN (pin 16) and the VCC1 pins (pins 11 and 12).	
16	RF IN	RF input. An external 15pF series capacitor is required as a DC block. In addition, a series transmission line and shunt capacitor, 5pF, are required to provide 2:1 VSWR.	
Pkg Base	GND	Ground connection. The backside of the package should be soldered to a top side ground pad which is connected to the ground plane with multiple vias. The pad should have a short thermal path to the ground plane.	

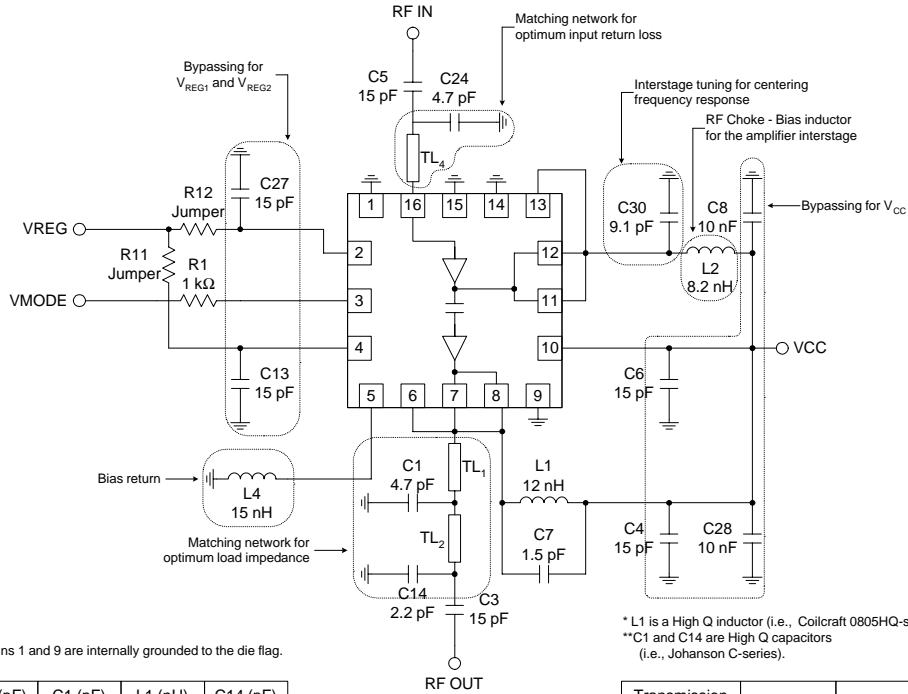
Application Schematic Korea - CDMA



Board	C30 (pF)	C1 (pF)	L1 (nH)	C14 (pF)
CDMA (Korea)	10	4.7	12	2.2

Transmission Line Length	TL ₁	TL ₂	TL ₃	TL ₄
CDMA (Korea)	30-40 mils	150 mils	20-30 mils	200 mils

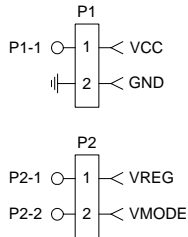
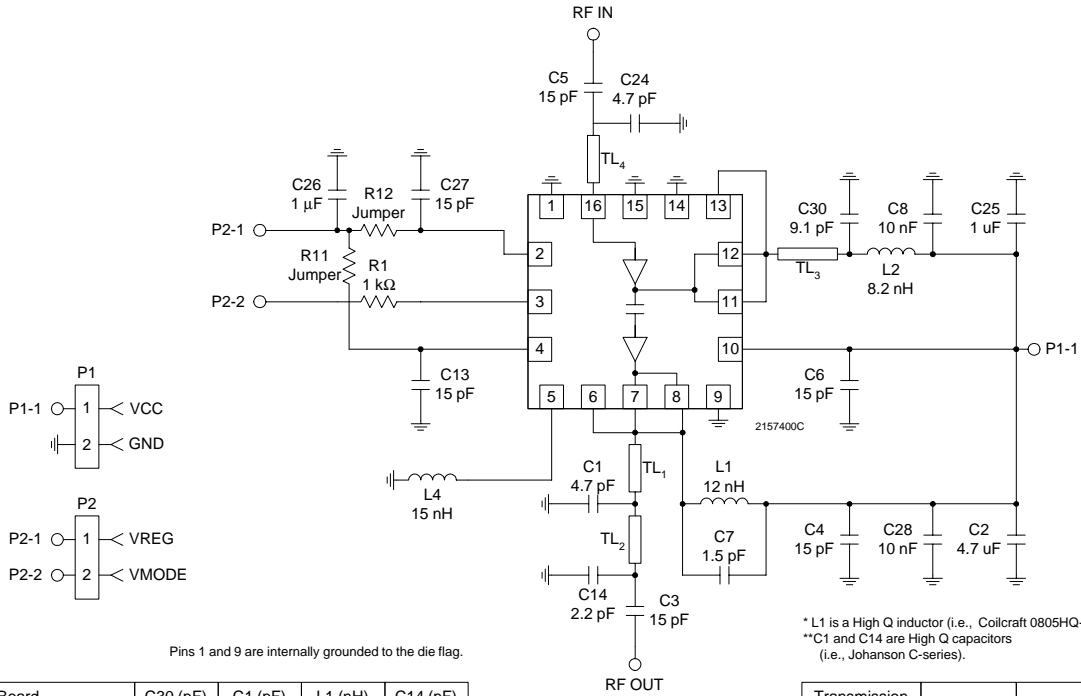
Application Schematic US - CDMA



Board	C30 (pF)	C1 (pF)	L1 (nH)	C14 (pF)
CDMA (US)	10	4.7	12	2.2

Transmission Line Length	TL ₁	TL ₂	TL ₃	TL ₄
CDMA (US)	30-40 mils	150 mils	20-30 mils	200 mils

Evaluation Board Schematic US - CDMA



Pins 1 and 9 are internally grounded to the die flag.

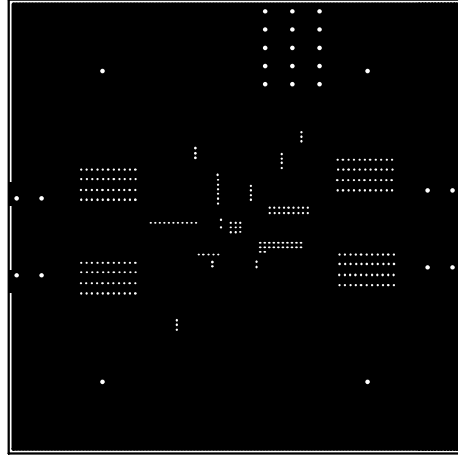
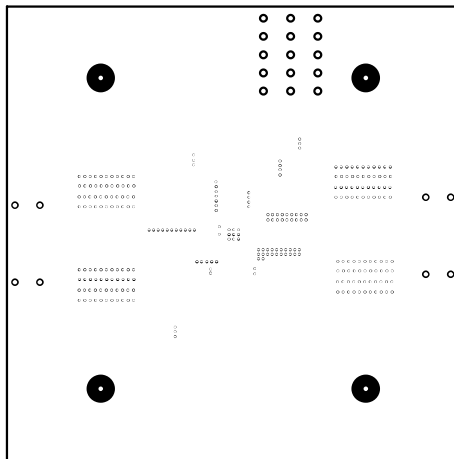
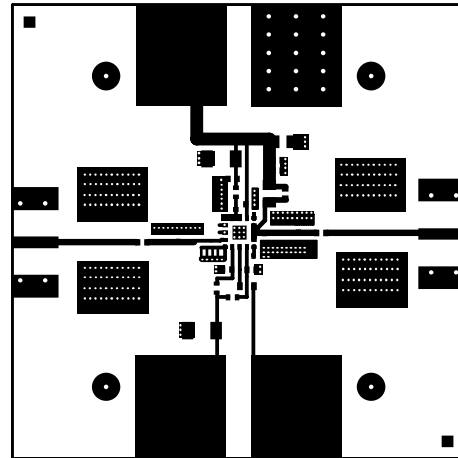
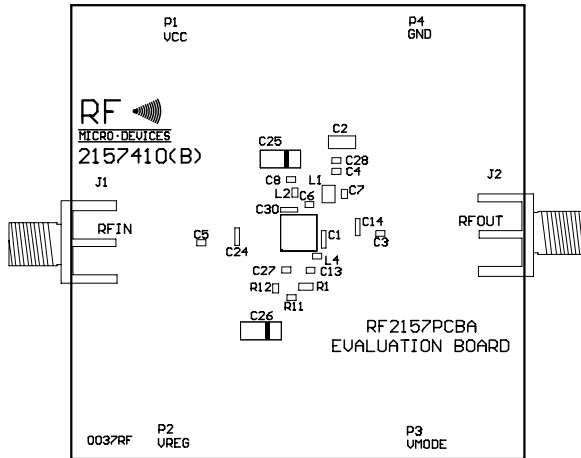
* L1 is a High Q inductor (i.e., Coilcraft 0805HQ-series).
** C1 and C14 are High Q capacitors (i.e., Johanson C-series).

Board	C30 (pF)	C1 (pF)	L1 (nH)	C14 (pF)
CDMA (US)	10	4.7	12	2.2

Transmission Line Length	TL ₁	TL ₂	TL ₃	TL ₄
CDMA (US)	30-40 mils	150 mils	20-30 mils	200 mils

Evaluation Board Layout Board Size 2" x 2"

Board Thickness 0.031", Board Material FR-4, Multi-Layer



RF2157

2

POWER AMPLIFIERS