



# STC05IE150HV

Emitter Switched Bipolar Transistor  
ESBT<sup>®</sup> 1500 V - 5 A - 0.12  $\Omega$

## Features

$V_{CS(ON)}$	$I_C$	$R_{CS(ON)}$
0.6 V	5 A	0.12 $\Omega$

- High voltage / high current Cascode configuration
- Low equivalent on resistance
- Very fast-switch, up to 150 kHz
- Squared rboas, up to 1500 V
- Very low  $C_{ISS}$  driven by  $R_G = 47 \Omega$
- Very low turn-off cross over time
- In compliance with the 2002/93/EC European Directive

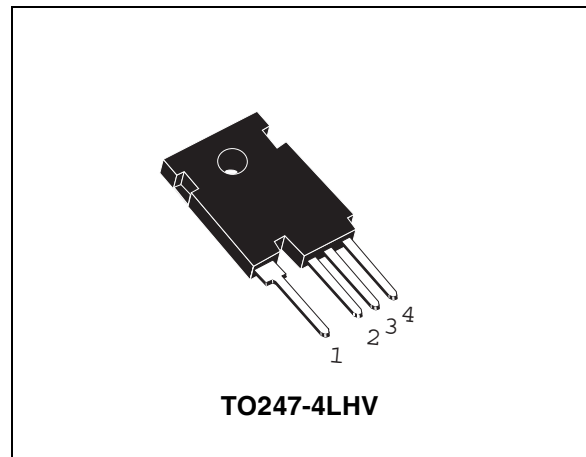
## Applications

- Aux SMPS for three phase mains
- Sepic PFC

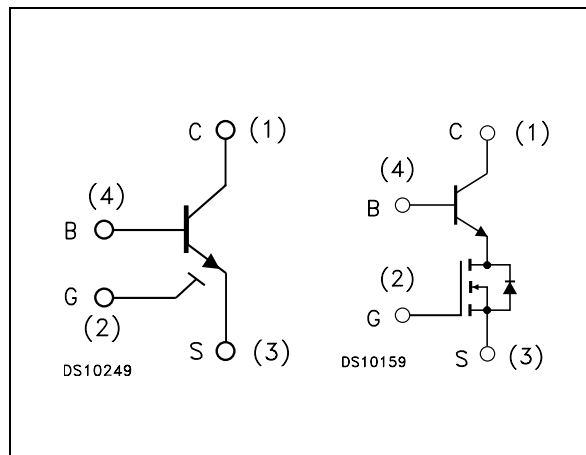
## Description

The STC05IE150HV is manufactured in Monolithic ESBT Technology, aimed to provide best performance in high frequency / high voltage applications. it is designed for use in Gate Driven based topologies.

PRELIMINARY DATA



## Internal Schematic Diagram



## Order Codes

Part Number	Marking	Package	Packaging
STC05IE150HV	C05IE150HV	TO247-4LHV	TUBE

# 1 Absolute Maximum Ratings

**Table 1. Absolute Maximum Ratings**

Symbol	Parameter	Value	Unit
$V_{CS(SS)}$	Collector-source voltage ( $V_{BS} = V_{GS} = 0\text{ V}$ )	1500	V
$V_{BS(OS)}$	Base-source voltage ( $I_C = 0, V_{GS} = 0\text{ V}$ )	30	V
$V_{SB(OS)}$	source-base voltage ( $i_C = 0, v_{GS} = 0\text{ v}$ )	29	V
$V_{GS}$	Gate-source Voltage	$\pm 17$	V
$I_C$	Collector Current	5	A
$I_{CM}$	Collector peak current ( $t_P < 5\text{ ms}$ )	15	A
$I_B$	Base current	4	A
$I_{BM}$	Base peak current ( $t_P < 1\text{ ms}$ )	8	A
$P_{tot}$	Total dissipation at $T_C = 25^\circ\text{C}$	178	W
$T_{stg}$	Storage temperature	-40 to 150	$^\circ\text{C}$
$T_J$	Max. operating junction temperature	150	$^\circ\text{C}$

## 1.1 Thermal Data

**Table 2. Thermal Data**

Symbol	Parameter	Value	Unit
$R_{thj-case}$	Thermal resistance junction-case Max	0.7	$^\circ\text{C/W}$

## 2 Electrical Characteristics

**Table 3. Electrical Characteristics** ( $T_{CASE} = 25^{\circ}C$ ; unless otherwise specified)

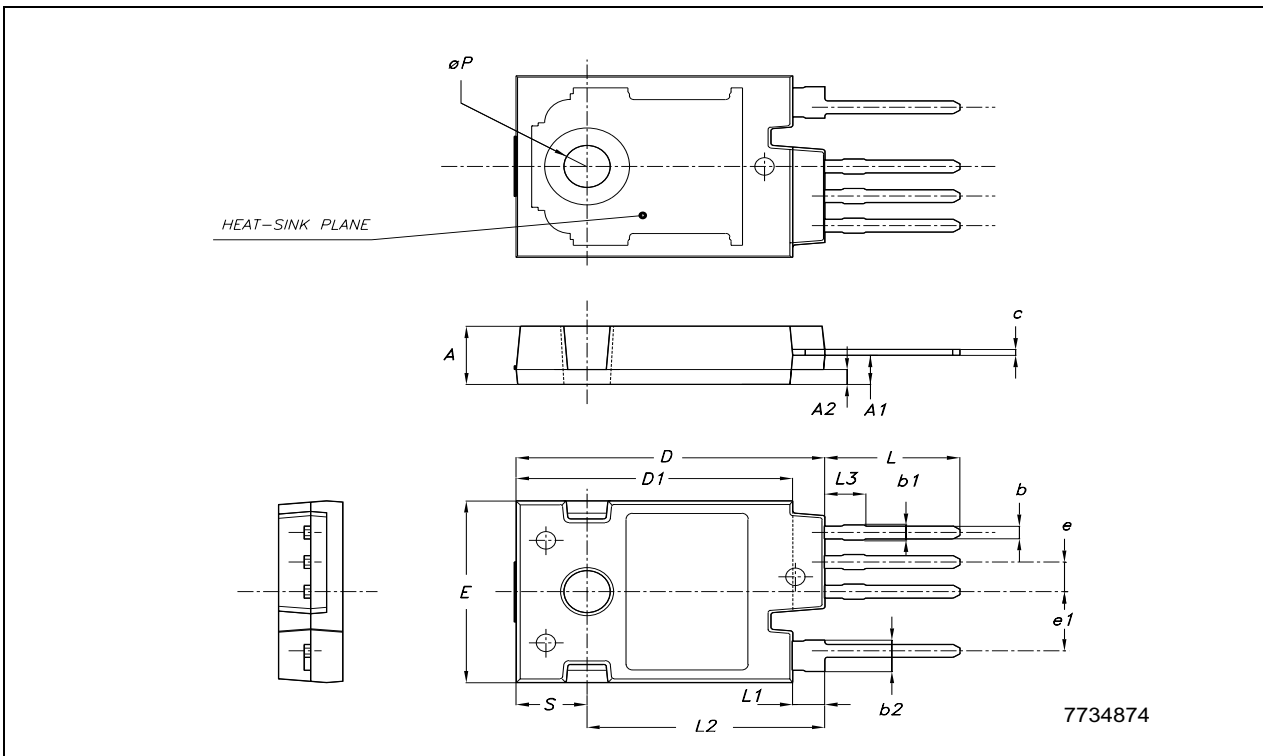
Symbol	Parameter	Test Conditions	Min.	Typ.	Max.	Unit
$I_{CS(SS)}$	Collector-source current ( $V_{BS} = V_{GS} = 0$ )	$V_{CE} = 1500V$			100	$\mu A$
$I_{BS(OS)}$	Base-source current ( $I_C = 0, V_{GS} = 0 V$ )	$V_{BS(OS)} = 30 V$			10	$\mu A$
$I_{SB(OS)}$	Source-base current ( $I_C = 0, V_{GS} = 0$ )	$V_{SB(OS)} = 20 V$			100	$\mu A$
$I_{GS(OS)}$	Gate-source leakage	$V_{GS} = \pm 17 V$			100	nA
$V_{CS(ON)}$	Collector-source ON voltage	$V_{GS} = 10 V \quad I_C = 5 A \quad I_B = 1.0 A$ $V_{GS} = 10 V \quad I_C = 2 A \quad I_B = 0.2 A$		0.6 0.8	1.2 1.5	V V
$h_{FE}$	DC current gain	$V_{GS} = 10 V \quad V_{CS} = 1 V \quad I_C = 5 A$ $V_{GS} = 10 V \quad V_{CS} = 1 V \quad I_C = 2 A$	4 8	6 11		
$V_{BS(ON)}$	Base-source ON voltage	$V_{GS} = 10 V \quad I_C = 5 A \quad I_B = 1 A$ $V_{GS} = 10 V \quad I_C = 2 A \quad I_B = 0.2 A$		1.3 1.0	1.5 1.2	V V
$V_{GS(th)}$	Gate threshold voltage	$V_{BS} = V_{GS} \quad I_B = 250 \mu A$	2	3	4	V
$C_{ISS}$	Input capacitance	TBD		TBD		pF
$Q_{GS(tot)}$	Gate-source charge	TBD		TBD		nC
$t_s$ $t_f$	INDUCTIVE LOAD Storage time Fall time	TBD		TBD TBD		ns ns

### 3 Package mechanical data

In order to meet environmental requirements, ST offers these devices in ECOPACK® packages. These packages have a Lead-free second level interconnect . The category of second level interconnect is marked on the package and on the inner box label, in compliance with JEDEC Standard JESD97. The maximum ratings related to soldering conditions are also marked on the inner box label. ECOPACK is an ST trademark. ECOPACK specifications are available at: [www.st.com](http://www.st.com)

**TO247-4LHV MECHANICAL DATA**

DIM.	mm.		
	MIN.	TYP	MAX.
A	4.85		5.15
A1	2.20	2.50	2.60
A2		1.27	
b	0.95	1.10	1.30
b2	2.50		2.90
c	0.40		0.80
D	23.85	24	24.15
D1		21.50	
E	15.45	15.60	15.75
e	2.54		
e1	5.08		
L	10.20		10.80
L1	2.20	2.50	2.80
L2		18.50	
L3		3	
∅P	3.55		3.65
S		5.50	



## 4 Revision History

Date	Revision	Changes
30-Jan-2006	1	Initial release.
30-Nov-2006	2	The document has been reformatted

**Please Read Carefully:**

Information in this document is provided solely in connection with ST products. STMicroelectronics NV and its subsidiaries ("ST") reserve the right to make changes, corrections, modifications or improvements, to this document, and the products and services described herein at any time, without notice.

All ST products are sold pursuant to ST's terms and conditions of sale.

Purchasers are solely responsible for the choice, selection and use of the ST products and services described herein, and ST assumes no liability whatsoever relating to the choice, selection or use of the ST products and services described herein.

No license, express or implied, by estoppel or otherwise, to any intellectual property rights is granted under this document. If any part of this document refers to any third party products or services it shall not be deemed a license grant by ST for the use of such third party products or services, or any intellectual property contained therein or considered as a warranty covering the use in any manner whatsoever of such third party products or services or any intellectual property contained therein.

**UNLESS OTHERWISE SET FORTH IN ST'S TERMS AND CONDITIONS OF SALE ST DISCLAIMS ANY EXPRESS OR IMPLIED WARRANTY WITH RESPECT TO THE USE AND/OR SALE OF ST PRODUCTS INCLUDING WITHOUT LIMITATION IMPLIED WARRANTIES OF MERCHANTABILITY, FITNESS FOR A PARTICULAR PURPOSE (AND THEIR EQUIVALENTS UNDER THE LAWS OF ANY JURISDICTION), OR INFRINGEMENT OF ANY PATENT, COPYRIGHT OR OTHER INTELLECTUAL PROPERTY RIGHT.**

**UNLESS EXPRESSLY APPROVED IN WRITING BY AN AUTHORIZED REPRESENTATIVE OF ST, ST PRODUCTS ARE NOT RECOMMENDED, AUTHORIZED OR WARRANTED FOR USE IN MILITARY, AIR CRAFT, SPACE, LIFE SAVING, OR LIFE SUSTAINING APPLICATIONS, NOR IN PRODUCTS OR SYSTEMS, WHERE FAILURE OR MALFUNCTION MAY RESULT IN PERSONAL INJURY, DEATH, OR SEVERE PROPERTY OR ENVIRONMENTAL DAMAGE. ST PRODUCTS WHICH ARE NOT SPECIFIED AS "AUTOMOTIVE GRADE" MAY ONLY BE USED IN AUTOMOTIVE APPLICATIONS AT USER'S OWN RISK.**

Resale of ST products with provisions different from the statements and/or technical features set forth in this document shall immediately void any warranty granted by ST for the ST product or service described herein and shall not create or extend in any manner whatsoever, any liability of ST.

ST and the ST logo are trademarks or registered trademarks of ST in various countries.

Information in this document supersedes and replaces all information previously supplied.

The ST logo is a registered trademark of STMicroelectronics. All other names are the property of their respective owners.

© 2006 STMicroelectronics - All rights reserved

STMicroelectronics group of companies

Australia - Belgium - Brazil - Canada - China - Czech Republic - Finland - France - Germany - Hong Kong - India - Israel - Italy - Japan - Malaysia - Malta - Morocco - Singapore - Spain - Sweden - Switzerland - United Kingdom - United States of America

[www.st.com](http://www.st.com)

