

**MTD8060W**

**Features**

High Reliability in Demanding Environments  
Metal Can Package

**Applications**

Optical Sensors  
Optical Switches  
Optical Detectors  
Fiber Optic Communications

**Maximum Ratings (Ta=25°C)**

| Characteristic              | Symbol | Max.       | Test Condition | Unit |
|-----------------------------|--------|------------|----------------|------|
| Collector Power Dissipation | Pc     | 250        | -              | mW   |
| Collector-Emitter Voltage   | Vce    | 30         | -              | V    |
| Emitter-Collector Voltage   | Vec    | 30         | -              | V    |
| Collector Current           | Ic     | 50         | -              | mA   |
| Operating Temperature       | Topr   | -30 ~ +100 | -              | °C   |
| Storage Temperature         | Tstg   | -40 ~ +125 | -              | °C   |
| Junction Temperature        | Tj     | 125        | -              | °C   |
| Soldering Temperature       | Tsol   | 260        | for 5 sec. max | °C   |

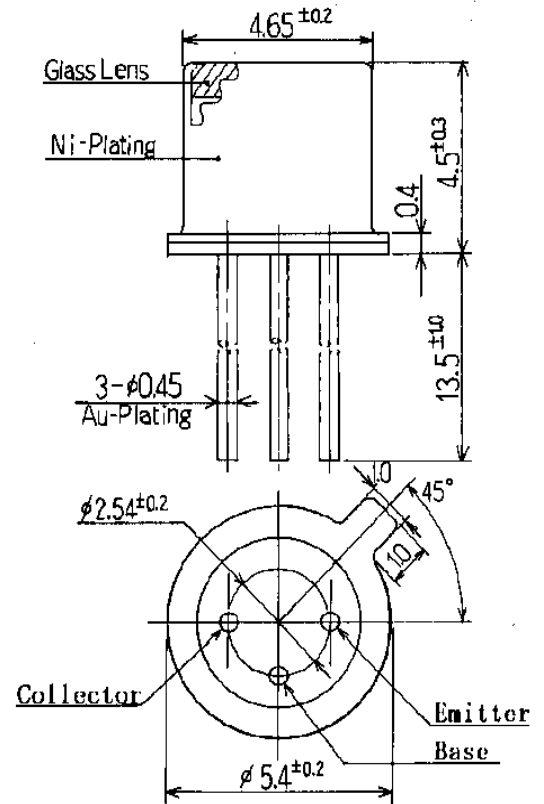
**Opto-Electrical Characteristics (Ta=25°C)**

| Characteristic              | Symbol   | Test Condition           | Min | Typ      | Max | Unit |
|-----------------------------|----------|--------------------------|-----|----------|-----|------|
| C-E Saturation Voltage      | VCE(sat) | Ic=0.2mA, Ee=5mW/cm2*    | -   | .20      | -   | µA   |
| Light Current               | IL       | Vce=20V, Ee=0.5mW/cm2*   | -   | 1.00     | -   | µA   |
| Dark Current                | Id       | Vce=20V, Ee=0.5mW/cm2*   | -   | -        | 100 | nA   |
| Spectral Sensitivity        | λ        | -                        | -   | 400-1100 | -   | µA   |
| Peak Sensitivity Wavelength | λp       | -                        | -   | 880      | -   | V    |
| Beam Angle                  | θ        | -                        | -   | ± 55°    | -   | deg. |
| Rise Time                   | Tr       | RL=100, Vce=5V, Ic=0.5mA | -   | 10.00    | -   | ns   |
| Fall Time                   | Tf       | RL=100, Vce=5V, Ic=0.5mA | -   | 10.00    | -   | ns   |

\*Color Temperature=2870°K Standard Tungston Lamp

**Company Headquarters**  
3 Northway Lane North  
Latham, New York 12110  
Toll Free: 800.984.5337  
Fax: 518.785.4725

**California Sales Office:**  
950 South Coast Drive, Suite 265  
Costa Mesa, California 92626  
Toll Free: 800.984.5337  
Fax: 714.850.9314



**MTD8060W Graphs**

