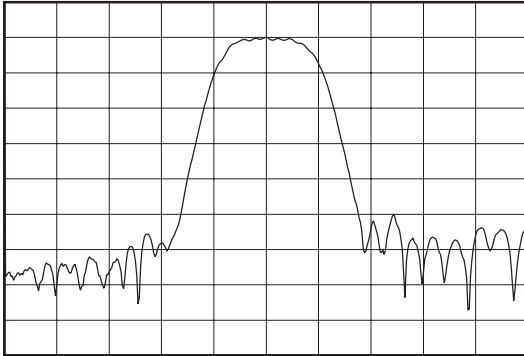
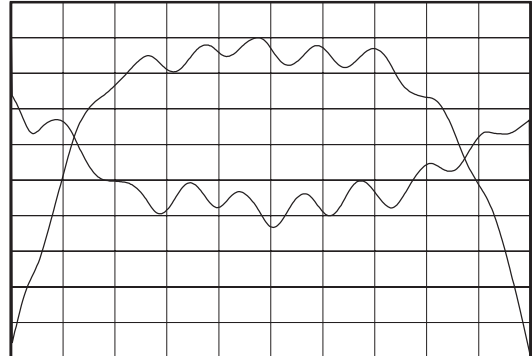


Data Sheet

Typical Performance



Horizontal: 1 MHz/Div
 Vertical: 10 dB/Div

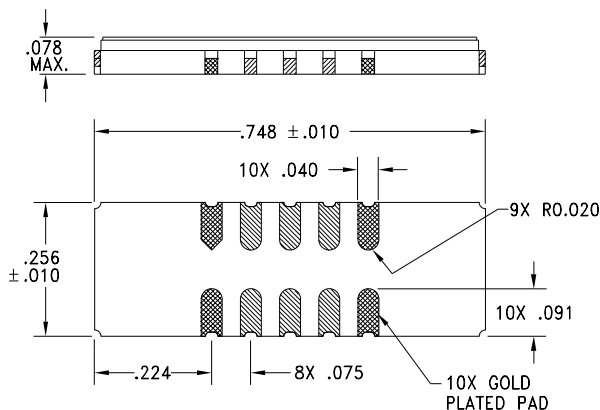


Horizontal: 200 kHz/Div
 Vertical: 1 dB/Div
 Vertical: 5 deg/Div

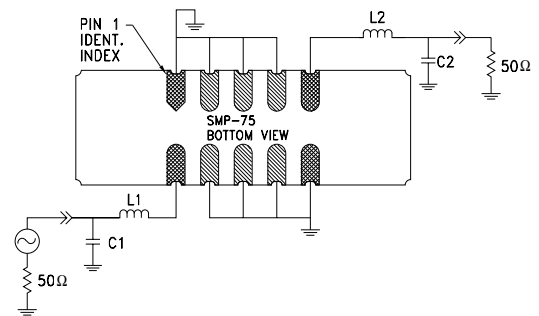
Specifications

Parameter	Unit	Minimum	Typical	Maximum
Center Frequency	MHz	69.92	70	70.08
Insertion Loss at F_o	dB	-	7.3	8
1 dB Bandwidth	MHz	0.7	0.8	-
3 dB Bandwidth	MHz	1	1.1	-
40 dB Bandwidth	MHz	-	2.8	3
Passband Ripple	dB	-	0.7	1
Phase Linearity (60% of 3 dB Bandwidth)	deg	-	9	11.95
Group Delay Variation (60% of 3 dB Bandwidth)	nsec	-	375	500
Absolute Delay	μ sec	-	2.1	-
Substrate Material	-	-	LiTaO ₃	-
Temperature Coefficient	ppm/ $^{\circ}$ C	-	-23	-
Ambient Temperature	$^{\circ}$ C	-	25	-

Package Outline



Matching Configuration



$L1 = 120\text{nH}$, $L2 = 100\text{nH}$
 $C1 = 100\text{pF}$, $C2 = 18\text{pF}$
 Nominal Source/Load Impedance = $50\ \Omega$
 Package Style SMP-75

11/24/99