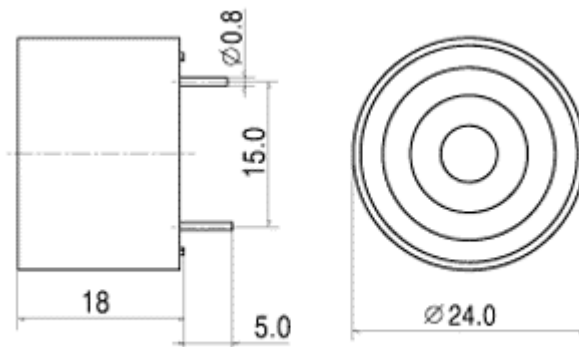




Type	BPT-24X
Rated Voltage(V)	12
Operating Voltage(V)	3~20
◆Rated Current(mA)	≤8
◆Sound Output at 30cm(dB)	≥90
◆Resonant Frequency(Hz)	3700±500
Operating Temperature(°C)	-20~+60
Storage Temperature(°C)	-30~+70
Weight(g)	5

◆ Value applying at rated voltage.



Unit:mm