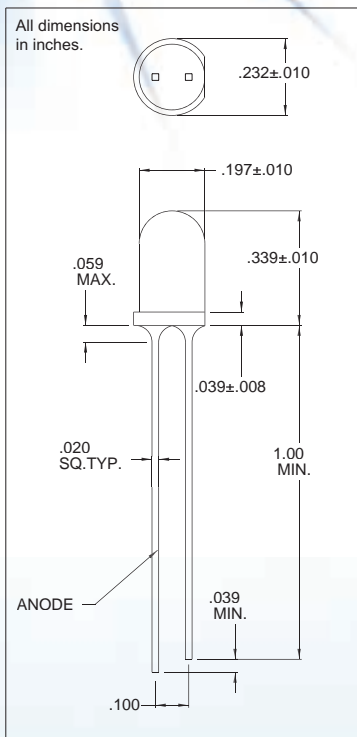


**CMD333UWC Series T-1 3/4 White LEDs**

**DESCRIPTION AND FEATURES**



**ELECTRO-OPTICAL CHARACTERISTICS AND RATINGS**

PART NUMBER	CMD333UWC
Output Color	White
Diffusion	Non-Diffused
Package Color	Clear
Test Current (mA)	20
Forward Voltage Typ. (V)	3.75
Forward Voltage Max. (V)	3.85
Luminous Intensity Min. (mcd)	1700
Luminous Intensity Typ. (mcd)	2300
Luminous Intensity Max. (mcd)	2600
Peak Wavelength (nm)	475
Viewing Angle (degrees)	20
Power Dissipation (mW)	-
Operating Temperature (°C)	-20 to +70
Storage Temperature (°C)	-30 to +100
Peak Forward Current Max. (I <sub>FSM</sub> @ 10% duty cycle) (mA)	-
Reverse Voltage (IR=100µA) (V)	5.0
Lead Solder Time @ 260°C	5