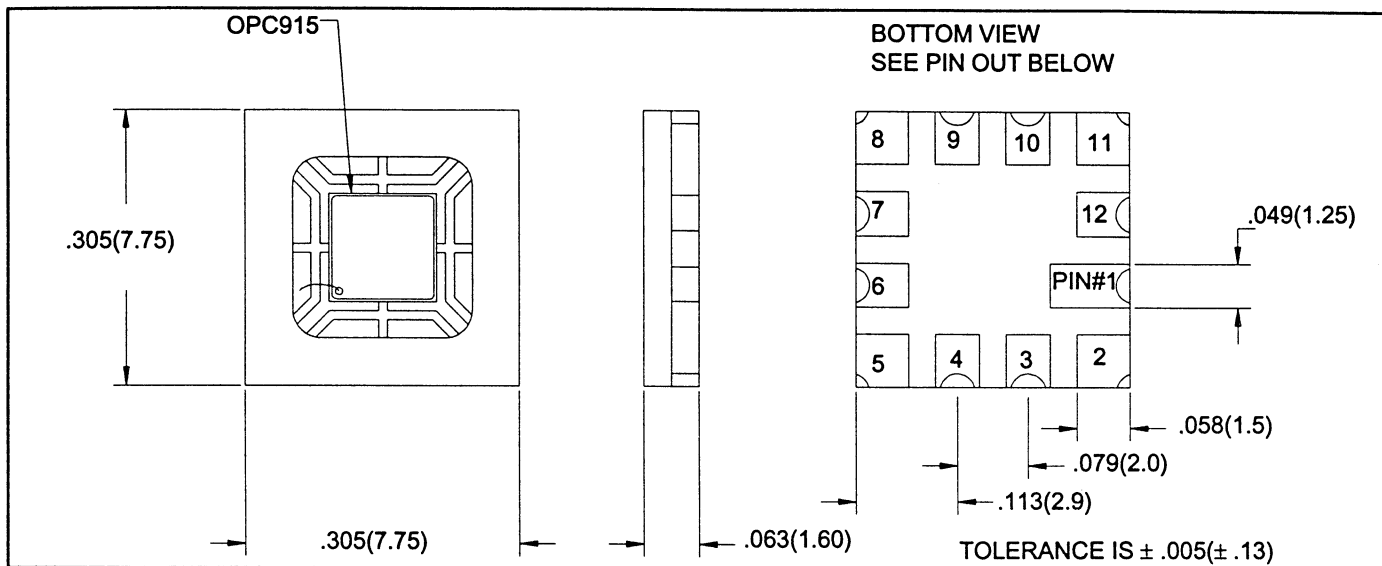


Surface Mount Silicon PIN Photodiode Type OPR5915



Features

- Surface Mountable
- Large Active Area
- High Temperature Operation

Absolute Maximum Ratings ($T_A = 25^\circ\text{C}$ unless otherwise noted)

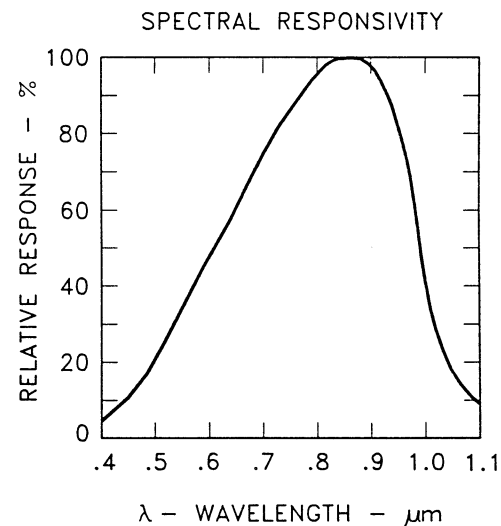
Storage and Operating Temperature	-55° C to +125° C
Reverse Breakdown Voltage	35 V Min.
Solder Temperature (Vapor Phase Reflow for 30 sec.)	235° C

Description

Enclosed in a compact polyimide chip carrier, this large area photodiode is well suited for open air communication applications and ambient light detection. Peak responsivity at the wavelength of 880 nm results in maximum coupling efficiency with Optek GaAlAs LEDs. The custom opaque package material shields the photodiode from stray light and can withstand multiple exposures to the most demanding soldering conditions. The wrap around solder pads are gold plated for exceptional storage and wetting characteristics.

PIN OUT:

PIN #1.	ANODE
2.	COMMON CATHODE
3.	N/C
4.	N/C
5.	COMMON CATHODE
6.	N/C
7.	N/C
8.	COMMON CATHODE
9.	N/C
10.	N/C
11.	COMMON CATHODE
12.	N/C



Electrical Characteristics ($T_A = 25^\circ\text{C}$ unless otherwise noted)

SYMBOL	PARAMETER	MIN	TYP	MAX	UNITS	TEST CONDITION
R_λ	Responsivity	.45			A/W	$\Phi_e = 10 \mu\text{W}$, $\lambda = 890 \text{ nm}$, $V = 0 \text{ V}$
$V_{(BR)R}$	Reverse Breakdown Voltage	35			V	$I_R = 100 \mu\text{A}$
I_D	Reverse Dark Current			30	nA	$V_R = 10 \text{ V}$
C_T	Capacitance		125		pf	$V_R = 0 \text{ V}$
L x W	Active Area		7.3		mm ²	(2.7 mm x 2.7 mm)