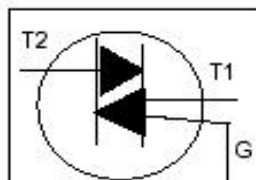
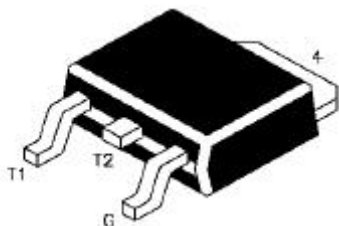


## TRIAC

## CJD137D

### DPAK (TO-252) Plastic Package



For use Motor, Light Dimmer, Air Con, Electric Switch Applications

#### ABSOLUTE MAXIMUM RATINGS

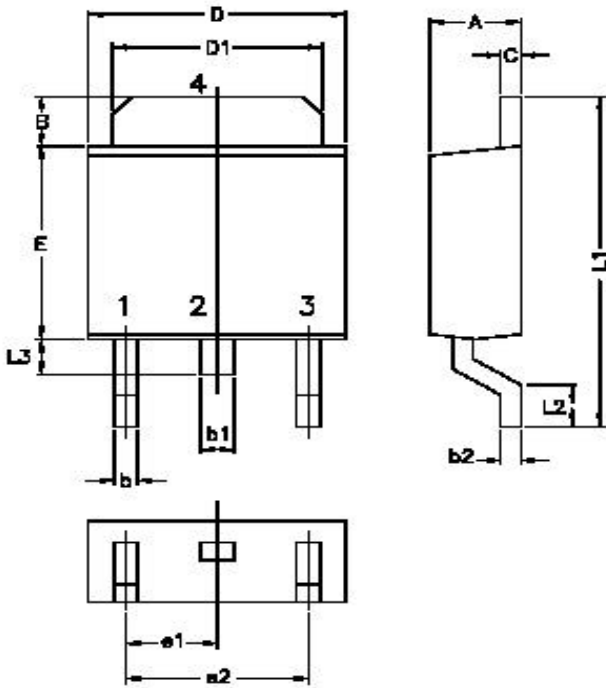
PARAMETER	SYMBOL	VALUE	UNIT
Repetitive Peak Off State Voltage	$*V_{DRM}$	400	V
RMS on State Current	$I_{T(RMS)}$	8.0	A
Non Repetitive Peak on State Current	$I_{TSM}$	55	A
Operating Junction Temperature	$T_j$	110	°C
Storage Temperature	$T_{stg}$	- 40 to +125	°C
Average Gate Power	$P_{G(AV)}$	0.5	W
Peak Gate Power	$P_{GM}$	5.0	W

#### ELECTRICAL CHARACTERISTICS ( $T_j=25^\circ\text{C}$ unless specified otherwise)

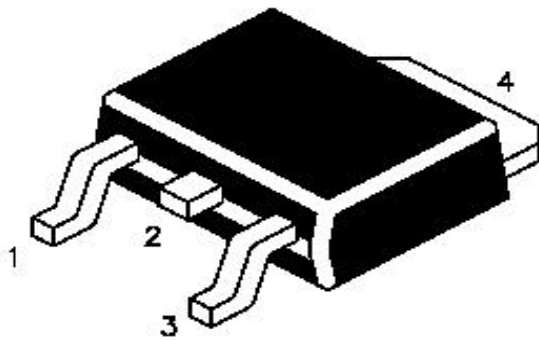
PARAMETER	SYMBOL	TEST CONDITION	MIN	MAX	UNIT
Off State Leakage Current	$I_{DRM}$	$V_D=400\text{V}$		100	$\mu\text{A}$
On State Voltage	$V_{TM}$	$I_T=5\text{A}, I_G=35\text{mA}$		1.65	V
Holding Current	$I_H$	$V_D=12\text{V}, I_G=35\text{mA}$		20	mA
Gate Trigger Current	$I_{GT}$	$V_D=12\text{V}, R_L=100\Omega$ T2+ G+ T2+ G- T2- G- <b>400E</b> <b>400F</b>	15	35	mA
				35	mA
				35	mA
				15	mA
				35	mA
Gate Trigger Voltage	$V_{GT}$	$V_D=12\text{V}, R_L=100\Omega$ T2+ G+ T2+ G- T2- G-		1.5	V
				1.5	V
				1.5	V
				1.5	V

MARKING	CDIL CJD137D XY MX	CDIL CJD137DE XY MX	CDIL CJD137DF XY MX
XY= Date Code			

CJD137DRev120606E



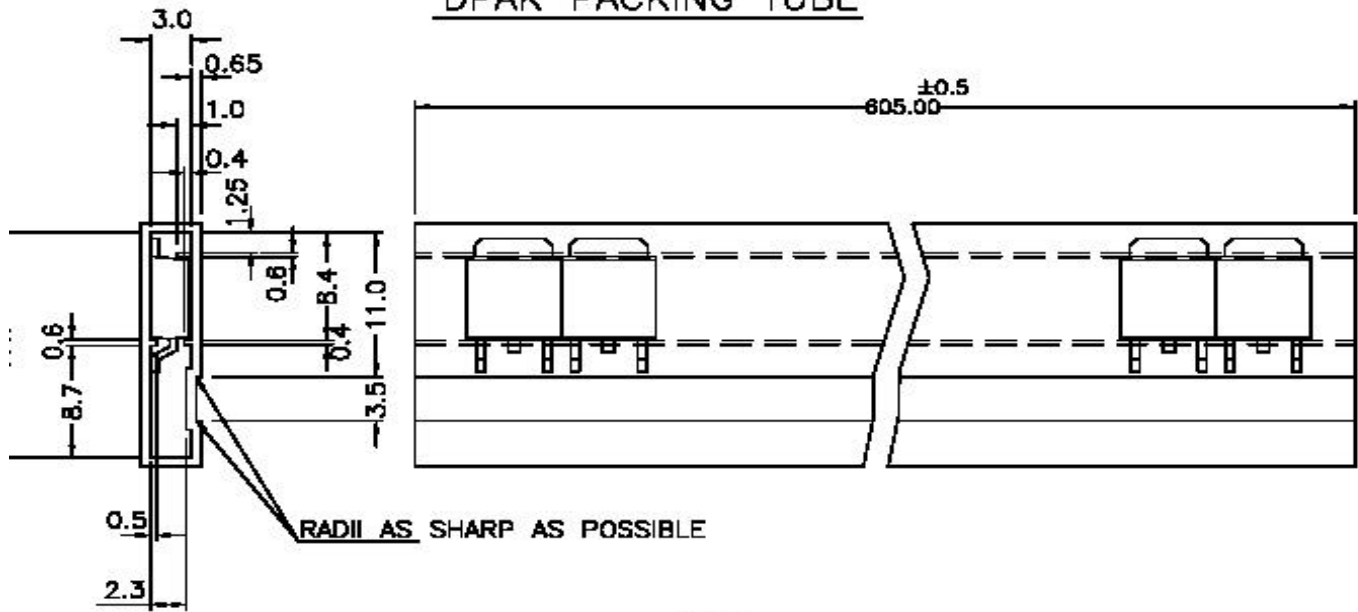
DIM	MIN.	MAX.
A	2.20	2.40
B	1.30	1.50
b	0.55	0.65
b1	0.75	0.85
b2	0.46	0.58
C	0.46	0.58
D	6.40	6.60
D1	5.20	5.40
E	5.40	5.60
e1	2.25	2.35
e2	4.50	4.70
L1	9.25	9.75
L2	0.5	—
L3	0.90	1.10



**PIN CONFIGURATION**

- 1. T1 MAIN TERMINAL 1
- 2. T2 MAIN TERMINAL 2
- 3. G GATE
- 4. FIN (T2)

DPAK PACKING TUBE



NOTE:-  
80 Pcs/TUBE  
ALL DIMENSIONS ARE IN mm



**Component Disposal Instructions**

1. CDIL Semiconductor Devices are RoHS compliant, customers are requested to please dispose as per prevailing Environmental Legislation of their Country.
2. In Europe, please dispose as per EU Directive 2002/96/EC on Waste Electrical and Electronic Equipment (WEEE).

**Disclaimer**

The product information and the selection guides facilitate selection of the CDIL's Semiconductor Device(s) best suited for application in your product(s) as per your requirement. It is recommended that you completely review our Data Sheet(s) so as to confirm that the Device(s) meet functionality parameters for your application. The information furnished in the Data Sheet and on the CDIL Web Site/CD are believed to be accurate and reliable. CDIL however, does not assume responsibility for inaccuracies or incomplete information. Furthermore, CDIL does not assume liability whatsoever, arising out of the application or use of any CDIL product; neither does it convey any license under its patent rights nor rights of others. These products are not designed for use in life saving/support appliances or systems. CDIL customers selling these products (either as individual Semiconductor Devices or incorporated in their end products), in any life saving/support appliances or systems or applications do so at their own risk and CDIL will not be responsible for any damages resulting from such sale(s).

CDIL strives for continuous improvement and reserves the right to change the specifications of its products without prior notice.



CDIL is a registered Trademark of  
Continental Device India Limited

C-120 Naraina Industrial Area, New Delhi 110 028, India.

Telephone + 91-11-2579 6150, 4141 1112 Fax + 91-11-2579 5290, 4141 1119

email@cdil.com www.cdilsemi.com