

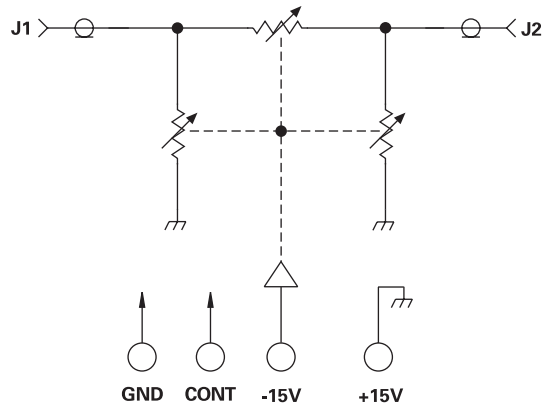
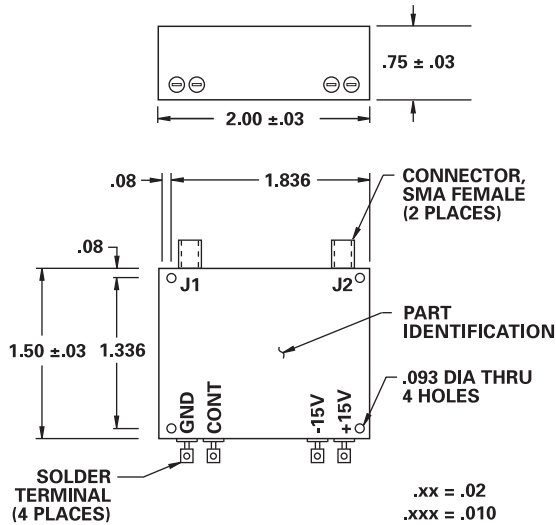
**MODEL NUMBER
100C0912**

PIN Diode Linear VCA

FEATURES

- 20-300 MHz
- 53 dB Linear Range
- SMA Connectors
- See DA0098 For DIP Version

VCA



GUARANTEED PERFORMANCE

Parameter	Min	Typ	Max	Units	Conditions
Operating Frequency	20		300	MHz	
DC Current		42	65	mA	At +15 VDC Supply
		80	110	mA	At -15 VDC Supply
Control Current			0.5	mA	0 V = Insertion Loss
					+5 V = Max. Atten.
Insertion Loss			2	dB	At 0 V
Attenuation	Range	40	52	dB	At 100 MHz
	Slope		15 ± 3	dB/V	
	Linearity		±2	dB	Best Straight Line Fit From IL +2 dB to 40 dB
VSWR			1.4/1		
Impedance		50		OHMS	
Slew Rate		6		dB/μs	
RF Power	Operate		+10	dBm	
	No Damage		+20	dBm	
Operating Temperature	-55	+25	+85	°C	TA

TYPICAL PERFORMANCE

Attenuation vs Control Voltage at 25° C

