

INDUSTRIAL COMPUTER DATA LINE PROTECTOR

APPLICATIONS

- ✓ RS-232 Transmission Lines
- ✓ Category 3 Systems
- ✓ Control & Monitoring Systems
- ✓ Analog Signal Transmissions
- ✓ Telemetry Outstations

IEC COMPATIBILITY (EN61000-4)

- ✓ 61000-4-2 (ESD): Air - 15kV, Contact - 8kV
- ✓ 61000-4-4 (EFT): 40A - 5/50ns
- ✓ 61000-4-5 (Surge): 8/20 μ s - 95A, Level 4 (Line-Gnd) & 48A, Level 4 (Line-Line)

FEATURES

✓ 4 WIRE LINE-GROUND PROTECTION

- ✓ Designed for EIA Standard RS-232 Data Lines
- ✓ Permanent Two-Stage, 2 Line Pair or 4 Line Protector
- ✓ Subnanosecond Response Time
- ✓ Automatic Reset - Does Not Interrupt Service
- ✓ Effective Against Lightning, Inductive Switching and ESD

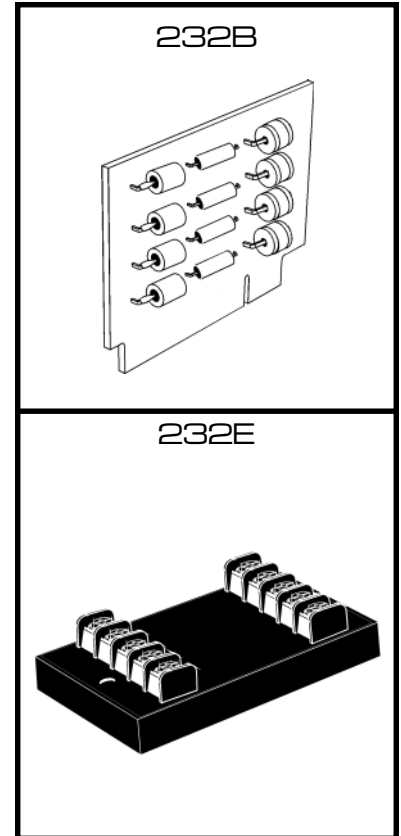
MECHANICAL CHARACTERISTICS

- ✓ Weight: 232B - 28 grams & 232E - 142 grams (Approximate)
- ✓ Flammability Rating UL 94V-0
- ✓ Device Marking:
 - Case - Logo, Terminal Designations & Part Number
 - Board - Logo, Date Code & Part Number

DESCRIPTION

The 232B/E is a two-stage transient voltage protector that provides primary and secondary protection against lightning, inductive switching and electrostatic discharge (ESD) transient threats. The first stage diverts the transient current through the ground terminal return path and the second stage clamps the voltage to a safe level without interruption of service.

The 232B/E is designed to protect two line pairs or four (4) data lines from common-mode (line-to-ground) lightning or switching transients. The datalines are isolated to prevent near or far end cross talk problems. This product can also be used on data and transmission lines, security, timing and control interface circuits.



DEVICE CHARACTERISTICS

MAXIMUM RATINGS @ 25°C		ELECTRICAL CHARACTERISTICS @ 25°C			
Peak Operating Line Voltage (V_{OP})	±25V	MAXIMUM CLAMPING VOLTAGE (8/20µs) @ 500A V_C VOLTS	MAXIMUM LINE THRUPTUT RESISTANCE R OHMS	MAXIMUM LEAKAGE CURRENT @ 25V _{OP} I_D µA	MAXIMUM CAPACITANCE @ 0V, 1MHz C pF
Operating Line Current (I_O)	200mA				
Maximum Transient Voltage	10kV				
Maximum Transient Current (8/20µs waveform)	10kA/Wire 40kA/Protector				
Operating & Storage Temperature	-55°C to 100°C				
Response Time	< 1 nanosecond	40	12	5	2000

INSTALLATION INSTRUCTIONS

There are five (5) terminals on both the **line** and **equipment** side of the 232E - four data line terminals and two ground terminals. Both ground terminals, as shown on the label, are connected internally. A single ground connection is sufficient. However, it is recommended that both ground connections be used for a lower impedance path to earth. This connection can be made through the green AC power ground wire or a known earth ground. The ground wire should be #14 stranded wire.

Incoming data lines are cut or disconnected from the equipment to insert the 232E product. The **line** side of the terminals are to be connected to data lines from the outside world or lines that carry the transient threats into the equipment to be protected. The **equipment** side of the terminals are to be connected to the equipment to be protected. The location of the product should be such that these wires are as short as possible. A #18 or 20 gauge wire can be used for these connections.

Protectors should be installed at both ends of the data lines, at the point of entry to buildings. Use the shortest possible connection to a low impedance earth ground. Proper grounding and bonding are essential for computer installation applications.

The 232B circuit board requires an edge connector interface for installation. The circuit board should be located at the building interface for incoming lines from the outside world.

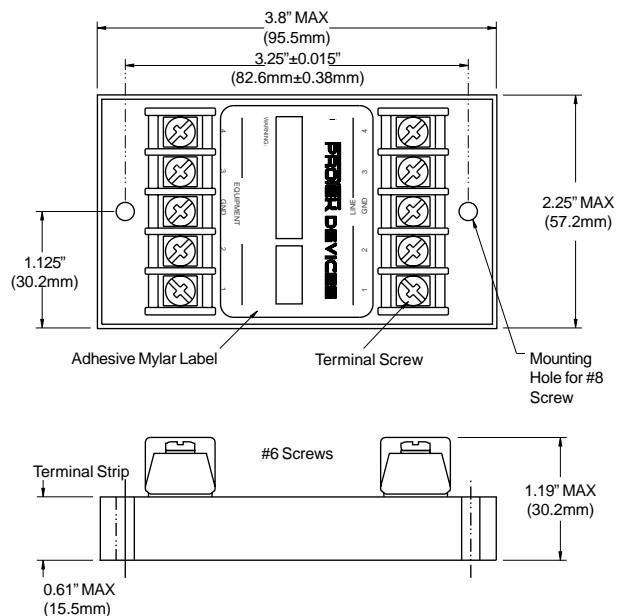
Both the 232B and 232E can be mounted on a data line circuit panel, which must be hard wired to the incoming data lines. Unprotected input lines and ground wires are to be separated from protected output lines to prevent electromagnetic coupling of noise from high transient currents on the input lines.

ProTek's data line protector is designed with a short circuit failure mode to give maximum protection. A fuse, fusable link, or circuit breaker is recommended for each data/signal line on the input (line) side of the protector for those applications that require an open circuit failure mode.

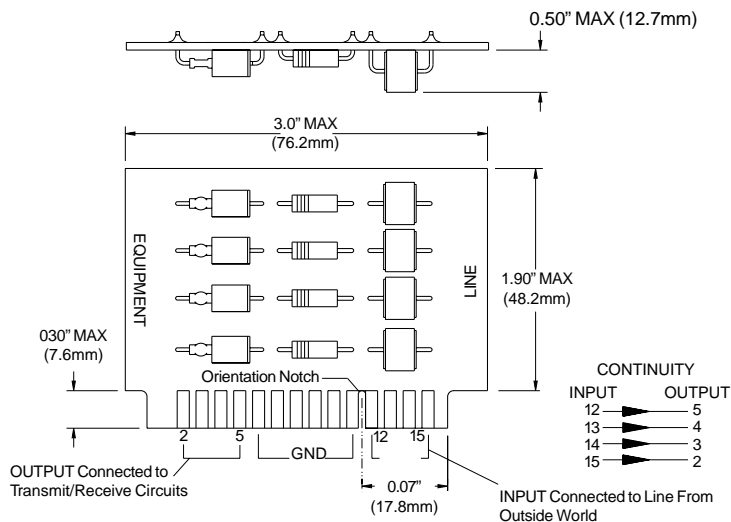
Caution: A low DC resistance ground may not be indicative of a good lightning ground. Lightning contains a broad spectrum of frequencies - up to 1 MHz. A low impedance path to ground at the transient frequencies is necessary. A ground strap is recommended or a #6 AWG stranded wire. For wire lengths over 1.5 meters, there may be some excessive line to earth potential under severe thunderstorm conditions. For these applications, an additional protector may be necessary at the equipment interface.

PACKAGE OUTLINE & DIMENSIONS

232E Case Outline



232B Board Outline



Note:
I/O contacts spaced at 0.156" (3.96mm) centers.

COPYRIGHT © ProTek Devices 2003

SPECIFICATIONS: ProTek reserves the right to change the electrical and or mechanical characteristics described herein without notice (except JEDEC).

DESIGN CHANGES: ProTek reserves the right to discontinue product lines without notice, and that the final judgement concerning selection and specifications is the buyer's and that in furnishing engineering and technical assistance, ProTek assumes no responsibility with respect to the selection or specifications of such products.

ProTek Devices
2929 South Fair Lane, Tempe, AZ 85282
Tel: 602-431-8101 Fax: 602-431-2288
E-Mail: sales@protekdevices.com
Web Site: www.protekdevices.com