

HDSL MAGNETICS

Surface Mount Transformer

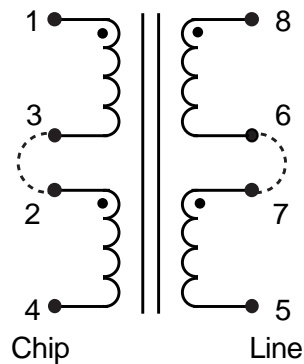
- Designed for use with Globespan transceiver IC
- Minimum creepage and clearance distance of 2.5mm
- Operating temperature range -40° C to +85° C
- Designed to meet domestic and international safety requirements for supplementary insulation
- UL, CSA and BABT approved
- Minimum interwinding breakdown voltage of 3000 Vrms

ELECTRICAL SPECIFICATIONS at 25° C

Part Number	Turns Ratio ± 3%	Inductance mH min	DCR Ω max		Leakage Inductance μH max	Interwinding Capacitance pF max
	Chip : Line	Line	Chip Side	Line Side	Line	
2810G	1.0 : 2.0	23	6.00	2.50	30.0	40

SCHEMATIC

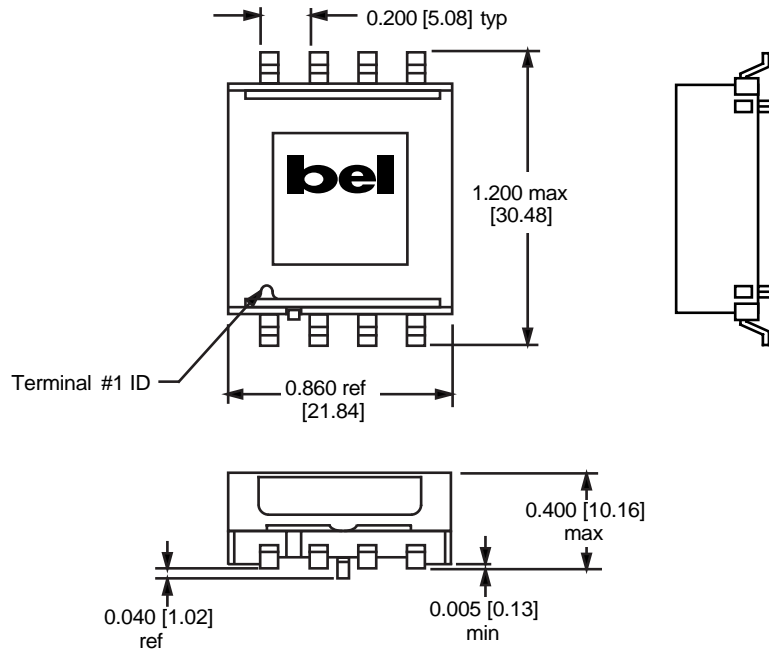
2810G



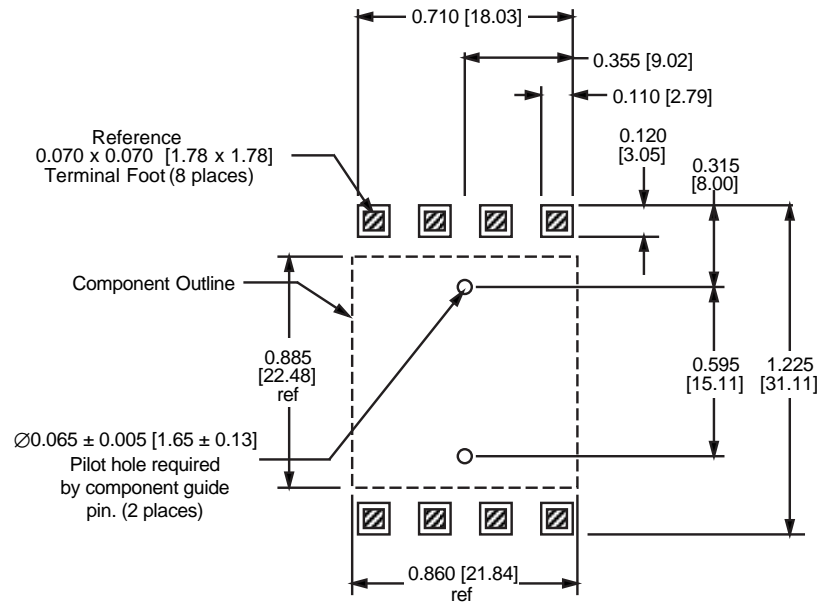
TM9958

MECHANICAL

2810G



Note: Unless otherwise specified, dimensions are nominal and in inches [millimeters].



Suggested PCB Pad Layout

Tape and reel packaging: 150 parts/reel

©1999 Bel Fuse Inc. Specifications subject to change without notice. 06.99

CORPORATE

Bel Fuse Inc.
198 Van Vorst Street
Jersey City, NJ 07302
Tel 201-432-0463
Fax 201-432-9542
www.belfuse.com

FAR EAST

Bel Fuse Ltd.
8F / 8 Luk Hop Street
San Po Kong
Kowloon, Hong Kong
Tel 852-2328-5515
Fax 852-2352-3706
www.belfuse.com

EUROPE

Bel Fuse Europe Ltd.
Preston Technology Management Centre
Marsh Lane, Suite F23, Preston
Lancashire, PR1 8UD, U.K.
Tel 44-1772-556601
Fax 44-1772-888366
www.belfuse.com