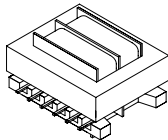


7390 is designed to be used in a 2-coil hybrid transformer configuration with the following features:

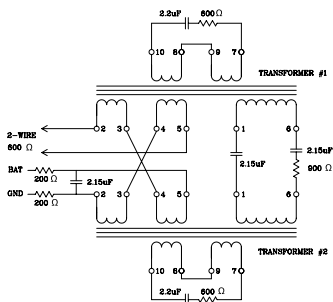
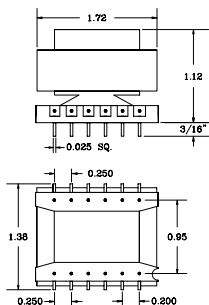
- Low Insertion Loss
- High Return Loss
- DC capability
- High Transhybrid Loss

Applications:

Hybrid interface between the 2-wire loop and the 4-wire circuit, and where DC handling capability is required on the 2-wire side.



MECHANICAL AND SCHEMATIC (All dimensions in inches)



ELECTRICAL SPECIFICATION @ 25°C

7390 has the following electrical performance in a 2-coil hybrid configuration, as per diagram, when terminated with specified impedances and with up to 70 mA loop current at the 2-wire port.

Insertion Loss	@ 1000 Hz	< 1.0 dB
Frequency Response	300 – 4000 Hz	< 0.25 dB
Return Loss, 2-wire port	1000 – 2000 Hz	> 27 dB
	300 – 3500 Hz	> 20 dB
Longitudinal Balance	200 – 3000 Hz	> 76 dB
Transhybrid Loss	300 – 3000 Hz	> 46 dB
Dielectric Strength	Pri. to Sec.	1500 Vrms
	Winding to core	1500 Vrms