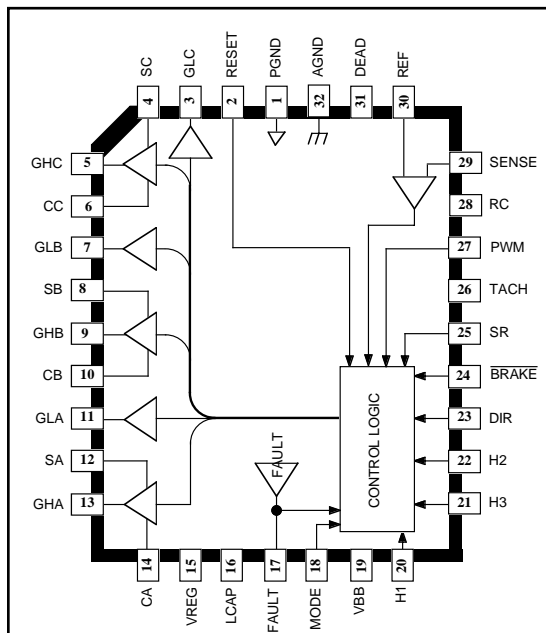


## THREE-PHASE POWER MOSFET CONTROLLER



Dwg. PP-068-1

### ABSOLUTE MAXIMUM RATINGS at $T_A = 25^\circ\text{C}$

Supply Voltage, $V_{BB}$ .....	50 V
Peak Regulator Voltage, $V_{REG}$ .....	15 V
Logic Input Voltage Range, $V_{IN}$ .....	-0.3 V to $V_{LCAP} + 0.3$ V
Sense Voltage Range, $V_{SENSE}$ .....	-5 V to +1.5 V
Output Voltage Range, $V_{SA}, V_{SB}, V_{SC}$ .....	-5 V to +50 V
$V_{GHA}, V_{GHB}, V_{GHC}$ ..	-5 V to $V_{BB} + 17$ V
$V_{CA}, V_{CB}, V_{CC}$ .....	$V_{SX} + 17$ V
Operating Temperature Range, $T_A$ .....	-20°C to +85°C
Junction Temperature, $T_J$ .....	+150°C
Storage Temperature Range, $T_S$ .....	-55°C to +150°C

The A3932SEQ is a three-phase MOSFET controller for use with bipolar brushless dc motors. Its high gate-current drive capability allows driving a wide range of n-channel power MOSFETs and can support motor supply voltages to 50 V. Bootstrapped high-side drive blocks provide the floating positive supplies for the gate drive and minimize the component count normally required. The high-side circuitry also employs a unique FET monitoring circuit that ensures the gate voltages are at the proper levels before turn-on and during the ON cycle.

Internal fixed off-time PWM current-control circuitry can be used to regulate the maximum load current to a desired value. The peak load-current limit is set by the user's selection of an input reference voltage and external sensing resistor. The fixed off-time pulse duration is set by a user-selected external RC timing network. For added flexibility, the

continued ...

### FEATURES AND BENEFITS

- Drives Wide Range of N-Channel MOSFETs
- Synchronous Rectification
- Power MOSFET Protection
- Adjustable Dead Time for Cross-Conduction Protection
- 100% Duty Cycle Operation
- Selectable Fast or Slow Current-Decay Modes
- Internal PWM Peak Current Control
- High-Current Gate Drive
- Motor Lead Short-to-Ground Protection
- Internal 5-V Regulator
- Brake Input
- PWM Torque-Control Input
- Fault-Diagnostic Output
- Tachometer Output
- Thermal Shutdown
- Undervoltage Protection

**3932**  
**THREE-PHASE POWER**  
**MOSFET CONTROLLER**

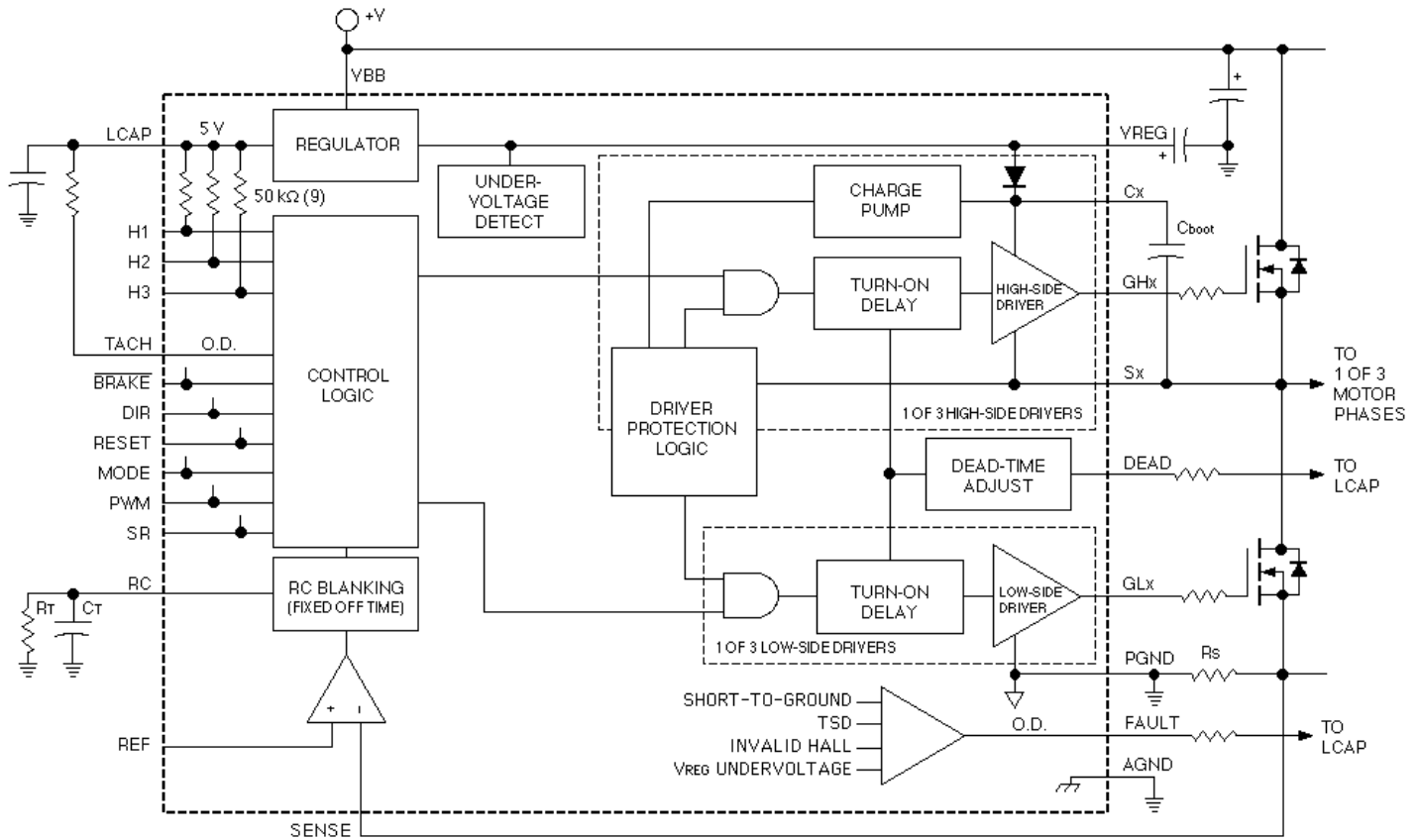
**Selection Guide**

Part Number	Pb-Free*	Packing
A3932SEQ-T	Yes	32 pieces/tube
A3932SEQTR-T	Yes	13-in. reel, 800 pieces/reel

\*Pb-based variants are being phased out of the product line. The variants cited in this footnote are in production but have been determined to be NOT FOR NEW DESIGN. This classification indicates that sale of this device is currently restricted to existing customer applications. The variants should not be purchased for new design applications because obsolescence in the near future is probable. Samples are no longer available. Status change: May 1, 2006. These variants include: A3932SEQ and A3932SEQTR.

# 3932 THREE-PHASE POWER MOSFET CONTROLLER

## Functional Block Diagram



Dwg. FP-045-1

**NOTE** — For 12 V applications, VBB is shorted to VREG. The  $V_{REG}$  absolute maximum rating (15 V) must not be exceeded.

PWM input can be used to provide speed/torque control, allowing the internal current control circuit to set the maximum current limit.

Optional synchronous rectification is included. This feature will short out the current path through the power MOSFETs' reverse body diodes during the PWM off-cycle current decay. This can minimize power dissipation in the power MOSFETs, eliminate the need for external power clamp diodes, and potentially allow a more economical choice for the MOSFET drivers.

The A3932 includes the commutation logic for Hall sensors configured for 120 degree spacing. Power MOSFET protection features include bootstrap capacitor charging current monitor, undervoltage monitor, motor-lead short-to-ground, and thermal shutdown.

The '-S-' part-number suffix indicates an operating temperature range of  $-20^{\circ}\text{C}$  to  $+85^{\circ}\text{C}$ . The '-EQ-' suffix indicates a 32-lead rectangular plastic chip carrier (PLCC). The initial '-TR-' variant suffix indicates tape and reel packing. The '-T' final variant suffix indicates lead (Pb) free composition, with 100% matte tin leadframe plating.

# 3932 THREE-PHASE POWER MOSFET CONTROLLER

**ELECTRICAL CHARACTERISTICS:** unless otherwise noted at  $T_A = 25^\circ\text{C}$ ;  $V_{BB} = 18\text{ V to }50\text{ V}$ ;  $C_{LCAP}$ ,  $C_{boot} = 0.1\ \mu\text{F}$ ;  $C_{REG} = 10\ \mu\text{F}$ ;  $C_{load} = 3300\ \text{pF}$ ;  $f_{PWM} = 22.5\ \text{kHz}$  Square Wave; Two Phases Active.

Parameter	Symbol	Conditions	Limits			
			Min	Typ	Max	Units
<b>Supply Current</b>						
Quiescent Current	$I_{BB}$	RESET high, coast mode, stopped	–	–	8.0	mA
Reference Voltage	$V_{LCAP}$	$I_{LCAP} = -3\ \text{mA}$	4.75	5.0	5.25	V
Output Voltage	$V_{REG}$	$V_{BB} = V_{REG} \leq 15\ \text{V}$ , $I_{REG} = -10\ \text{mA}$	10.8	–	13.2	V
		$18\ \text{V} \leq V_{BB} \leq 50\ \text{V}$ , $I_{REG} = -10\ \text{mA}$	12.4	13	13.6	V
		$V_{BB} = 13.2\ \text{V to }18\ \text{V}$ , $I_{REG} = -10\ \text{mA}$	–	$V_{BB} - 2.5$	–	V
Output Voltage Regulation	$\Delta V_{REG}(\Delta I_{REG})$	$I_{REG} = -1\ \text{to }-30\ \text{mA}$ , coast	–	25	–	mV
	$\Delta V_{REG}(\Delta V_{BB})$	$I_{REG} = -10\ \text{mA}$ , coast	–	40	–	mV
<b>Digital Logic Levels</b>						
Logic Input Voltage	$V_{IH}$	All inputs except SR	2.0	–	–	V
		SR input only	3.0	–	–	V
	$V_{IL}$	All inputs except SR	–	–	0.8	V
		SR input only	–	–	1.8	V
Logic Input Current	$I_{IH}$	$V_{IH} = 2\ \text{V}$	-30	–	-90	$\mu\text{A}$
	$I_{IL}$	$V_{IL} = 0.8\ \text{V}$	-50	–	-130	$\mu\text{A}$
<b>Gate Drive</b>						
Low-Side Output Voltage	$V_{GLxH}$	$I_{GLx} = 0$	$V_{REG} - 0.8$	$V_{REG} - 0.5$	–	V
High-Side Output Voltage	$V_{GHxH}$	$I_{GHx} = 0$	10.4	11.6	12.8	V
Pulldown Switch Resistance	$r_{DS(on)}$	$I_{GLx} = 50\ \text{mA}$	–	4.0	–	$\Omega$
Pullup Switch Resistance	$r_{DS(on)}$	$I_{GHx} = -50\ \text{mA}$	–	14	–	$\Omega$
Low-Side Output Switching Time	$t_{rGLx}$	10% to 90%, with $C_{load}$	–	120	–	ns
		90% to 10%, with $C_{load}$	–	60	–	ns
High-Side Output Switching Time	$t_{rGHx}$	10% to 90%, with $C_{load}$	–	120	–	ns
		90% to 10%, with $C_{load}$	–	60	–	ns
Propagation Delay Time (PWM to gate output)	$t_{pr}$	GHx, GLx rising, $C_{load} = 0$	–	220	–	ns
		GHx, GLx falling, $C_{load} = 0$	–	110	–	ns
Maximum Dead Time	$t_{dead}$	GHx to GLx, $V_{DEAD} = 0\ \text{V}$ , $C_{load} = 0$	3.5	5.6	7.6	$\mu\text{s}$
Minimum Dead Time	$t_{dead}$	GLx to GHx, $I_{DEAD} = 780\ \mu\text{A}$ , $C_{load} = 0$	50	100	150	ns

NOTES: 1. Typical Data is for design information only.  
2. Negative current is defined as coming out of (sourcing) the specified device terminal.

Continued —

# 3932

## THREE-PHASE POWER MOSFET CONTROLLER

**ELECTRICAL CHARACTERISTICS:** unless otherwise noted at  $T_A = 25^\circ\text{C}$ ;  $V_{BB} = 18\text{ V to }50\text{ V}$ ;  $C_{LCAP}$ ,  $C_{boot} = 0.1\ \mu\text{F}$ ;  $C_{REG} = 10\ \mu\text{F}$ ;  $C_{load} = 3300\ \text{pF}$ ;  $f_{PWM} = 22.5\ \text{kHz}$  Square Wave; Two Phases Active.

Parameter	Symbol	Conditions	Limits			Units
			Min	Typ	Max	
<b>Bootstrap Capacitor</b>						
Bootstrap Charge Current	$I_{Cx}$		100	–	–	mA
Bootstrap Output Voltage	$V_{Cx}$	$V_{Sx} = 0, I_{Cx} = 0, V_{REG} = 13\text{ V}$	10.4	11.6	12.8	V
Bootstrap Resistance	$r_{Cx}$	$I_{Cx} = -50\text{ mA}$	–	9.0	12	$\Omega$
<b>Current Limit Circuitry</b>						
Input Offset Voltage	$V_{io}$	$0\text{ V} \leq V_{IC} \leq 1.5\text{ V}$	–	–	$\pm 5.0$	mV
SENSE Input Current	$I_{SENSE}$	$V_{IC} \geq 0\text{ V}, V_{ID} \leq 1.5\text{ V}$	–	-25	–	$\mu\text{A}$
REFERENCE Input Current	$I_{REF}$	$V_{IC} \geq 0\text{ V}, V_{ID} \leq 1.5\text{ V}$	–	0	–	$\mu\text{A}$
Blank Time	$t_{blank}$	$R_T = 56\ \text{k}\Omega, C_T = 470\ \text{pF}$	–	0.91	–	$\mu\text{s}$
RC Charge Current	$I_{RC}$		-0.9	-1.0	-1.1	mA
RC Voltage Threshold	$V_{RCL}$		1.0	1.1	1.2	V
	$V_{RCH}$		2.7	3.0	3.3	V
<b>Protection Circuitry</b>						
Bootstrap Charge Threshold	$I_{Cx}$		–	-9.0	–	mA
Motor Short-to-Ground Monitor	$V_{DSH}$	$V_{BB} - V_{Sx}$ , high side on	1.3	2.0	2.7	V
Undervoltage Threshold	UVLO	Increasing $V_{REG}$	9.2	9.7	10.2	V
		Decreasing $V_{REG}$	8.6	9.1	9.6	V
FAULT Output Voltage	$V_{FAULT}$	$I_O = 1\ \text{mA}$	–	–	0.5	V
TACH Output Voltage	$V_{TACH}$	$I_O = 1\ \text{mA}$	–	–	0.5	V
TACH Output Pulse Width	$t_{TACH}$	$I_O = 1\ \text{mA}, C_{TACH} = 50\ \text{pF}$	–	0.75	–	$\mu\text{s}$
Thermal Shutdown Temp.	$T_J$		–	165	–	$^\circ\text{C}$
Thermal Shutdown Hysteresis	$\Delta T_J$		–	10	–	$^\circ\text{C}$
Thermal Resistance	$R_{\theta JA}$	High K board per JEDEC JESD51-7	–	37	–	$^\circ\text{C/W}$

NOTES: 1. Typical Data is for design information only.

2. Negative current is defined as coming out of (sourcing) the specified device terminal.

# 3932 THREE-PHASE POWER MOSFET CONTROLLER

## Terminal Descriptions

Terminal	Name
1	PGND
2	RESET
3	GLC
4	SC
5	GHC
6	CC
7	GLB
8	SB
9	GHB
10	CB
11	GLA
12	SA
13	GHA
14	CA
15	VREG
16	LCAP
17	FAULT
18	MODE
19	VBB
20	H1
21	H3
22	H2
23	DIR
24	<u>BRAKE</u>
25	SR
26	TACH
27	PWM
28	RC
29	SENSE
30	REF
31	DEAD
32	AGND

**RESET** — A logic input used to enable the device, internally pulled up to  $V_{LCAP}$  (+5 V). A RESET = 1 will disable the device and force all gate drivers to 0 V, coasting the motor. A RESET = 0 allows the gate drive to follow the commutation logic. The RESET = 1 overrides BRAKE.

**GLA/GLB/GLC** — Low-side, gate-drive outputs for external NMOS drivers. External series-gate resistors (as close as possible to the NMOS gate) can be used to control the slew rate seen at the power-driver gate, thereby controlling the di/dt and dv/dt of the SA/SB/SC outputs. GLx = 1 (or “high”) means that the upper half (PMOS) of the driver is turned on and its drain will source current to the gate of the low-side FET in the external motor-driving bridge. GLx = 0 (or “low”) means that the lower half (NMOS) of the driver is turned on and its drain will sink current from the external FET’s gate circuit.

**SA/SB/SC** — Directly connected to the motor, these terminals sense the voltages switched across the load. These terminals are also connected to the negative side of the bootstrap capacitors and are the negative supply connections for the floating high-side drivers.

**GHA/GHB/GHC** — High-side, gate-drive outputs for external NMOS drivers. External series-gate resistors can be used to control the slew rate seen at the power-driver gate, thereby controlling the di/dt and dv/dt of the SA/SB/SC outputs. GHx = 1 (or “high”) means that the upper half (PMOS) of the driver is turned on and its drain will source current to the gate of the high-side FET in the external motor-driving bridge. GHx = 0 (or “low”) means that the lower half (NMOS) of the driver is turned on and its drain will sink current from the external FET’s gate circuit.

**CA/CB/CC** — High-side connections for the bootstrap capacitors, positive supply for high-side gate drivers. The bootstrap capacitors are charged to approximately  $V_{REG}$  when the associated output Sx terminal is low. When the output swings high, the voltage on this terminal rises with the output to provide the boosted gate voltage needed for n-channel power MOSFETs.

continued next page

## 3932

# THREE-PHASE POWER MOSFET CONTROLLER

## Terminal Descriptions (cont'd)

**FAULT** — Open-drain output to indicate fault condition; FAULT = 1 (external pull-up) for any of the following:

- 1 – invalid HALL input code,
- 2 – undervoltage condition detected at VREG.
- 3 – thermal shutdown, or
- 4 – motor lead (SA/SB/SC) shorted to ground.

Except for a short-to-ground fault that only turns off the high-side drivers, faults will force a coast condition that turns off all power MOSFETs. Only the short-to-ground fault is latched but is cleared at each commutation. If the motor has stalled due to a short-to-ground being detected, toggling the RESET terminal or repeating a power-up sequence will clear the fault. Typically pulled up to  $V_{LCAP}$  (+5 V) with an external 5.1 k $\Omega$  resistor.

**MODE** — A logic input to set current-decay method, internally pulled up to  $V_{LCAP}$  (+5 V). When in slow-decay mode (MODE = 1), only the high-side MOSFET is switched off during a PWM-off cycle. The fast-decay mode (MODE = 0) switches both the high-side and low-side MOSFETs.

**H1/H2/H3** — Hall-sensor inputs; internally pulled up to  $V_{LCAP}$  (+5 V). Configured for 120° electrical spacing.

**DIR** — A logic input to reverse rotation, see Commutation Truth Table. Internally pulled up to  $V_{LCAP}$  (+5 V).

**BRAKE** — An active-low logic input for a braking function. A  $\overline{\text{BRAKE}} = 0$  will turn on the low-side FETs and turn off the high-side FETs. This will effectively short-circuit the BEMF in the windings and brake the motor. The braking torque applied will depend on the speed. Internally pulled up to  $V_{LCAP}$  (+5 V). RESET = 1 overrides  $\overline{\text{BRAKE}}$  and will coast the motor.

**SR** — Synchronous rectification input. An SR = 0 disables this feature, forcing current decay through the body diodes of the power MOSFETs. An SR = 1 will result in appropriate high- and low-side gate outputs to switch in response to a PWM-off command. Internally pulled up to  $V_{LCAP}$  (+5 V). See also the Input Logic table.

**TACH** — An open-drain digital output whose frequency is proportional to speed of rotation. A pulse appears at every HALL transition. Typically pulled up to  $V_{LCAP}$  (+5 V) with an external 5.1 k $\Omega$  resistor.

**PWM** — Speed control input, internally pulled up to  $V_{LCAP}$  (+5 V). A PWM = 0 turns off selected drivers. A PWM = 1 will turn on selected drivers as determined by H1/H2/H3 input logic. Holding PWM = 1 allows speed/torque control solely by the internal current-limit circuit with the REF analog voltage. See also the Input Logic table.

**RC** — An analog input used to set the fixed off time with an external resistor ( $R_T$ ) and capacitor ( $C_T$ ). The  $t_{\text{blank}}$  time is controlled by the value of the external capacitor (see Applications Information). See Application Information.

**SENSE** — An analog input to the current-limit comparator. A voltage representing load current appears on this terminal during on time, when it reaches REF voltage, the comparator trips and load current decays for the fixed off-time interval. Voltage transients seen at this terminal when the drivers turn on are ignored for time  $t_{\text{blank}}$ .

**REF** — An analog input to the current-limit comparator. Voltage applied here with respect to AGND sets the peak load current.

$$I_{\text{peak}} = V_{\text{REF}}/R_S$$

**VREG** — A regulated 13 V output; supply for low-side gate drive and bootstrap capacitor charge circuits. It is good practice to connect a decoupling capacitor from this terminal to AGND, as close to the device terminals as possible. This terminal should be shorted to  $V_{BB}$  for 12 V applications.

**VBB** — The A3932 supply voltage. It is good practice to connect a decoupling capacitor from this terminal to AGND, as close to the device terminals as possible.

**LCAP** — Connection for 0.1  $\mu\text{F}$  decoupling capacitor for the internal 5 V reference. This terminal can source no more than 3 mA for the DEAD input, TACH and FAULT outputs.

**DEAD** — An analog input. A resistor between DEAD and LCAP is selected to adjust the turn-off to turn-on time. This delay is needed to prevent shoot-through in the external power MOSFETs. See Applications Information for details on setting dead time.

**AGND** — The low-level (analog) reference point.

**PGND** — The return for all low-side gate drivers. This should be connected to the system power ground.

# 3932 THREE-PHASE POWER MOSFET CONTROLLER

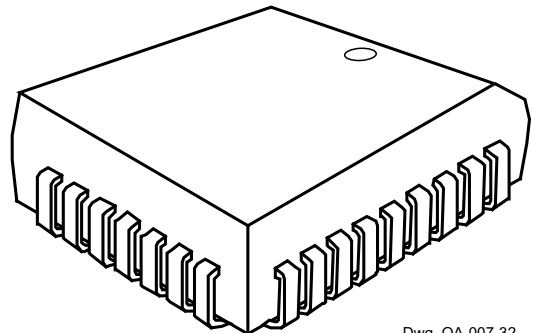
### Commutation Truth Table

Logic Inputs				Driver Outputs						Motor Terminals		
H1	H2	H3	DIR	GLA	GLB	GLC	GHA	GHB	GHC	SA	SB	SC
1	0	1	1	0	0	1	1	0	0	H	Z	L
1	0	0	1	0	0	1	0	1	0	Z	H	L
1	1	0	1	1	0	0	0	1	0	L	H	Z
0	1	0	1	1	0	0	0	0	1	L	Z	H
0	1	1	1	0	1	0	0	0	1	Z	L	H
0	0	1	1	0	1	0	1	0	0	H	L	Z
1	0	1	0	1	0	0	0	0	1	L	Z	H
1	0	0	0	0	1	0	0	0	1	Z	L	H
1	1	0	0	0	1	0	1	0	0	H	L	Z
0	1	0	0	0	0	1	1	0	0	H	Z	L
0	1	1	0	0	0	1	0	1	0	Z	H	L
0	0	1	0	1	0	0	0	1	0	L	H	Z

### Input Logic

MODE	PWM	SR	RESET	Operation
0	0	0	0	PWM chop mode, fast decay, all drivers off
0	1	0	0	Peak current limit, selected drivers on
1	0	0	0	PWM chop mode, slow decay, selected low side drivers on
1	1	0	0	Peak current limit, selected drivers on
0	0	1	0	PWM chop mode, fast decay with opposite of selected drivers on
0	1	1	0	Peak current limit, selected drivers on
1	0	1	0	PWM chop, slow decay with both low-side drivers on
1	1	1	0	Peak current limit, selected drivers on
X	X	X	1	All gate drive outputs off, clear fault logic, coast

L = Low (less positive) level  
 H = High (more positive) level  
 X = Don't care  
 Z = High impedance  
 1 = Active or true logic condition  
 0 = Inactive or false logic condition



Dwg. OA-007-32



# 3932

## THREE-PHASE POWER MOSFET CONTROLLER

### Applications Information

**Synchronous Rectification.** To reduce power dissipation in the external MOSFETs, the A3932 control logic turns on the appropriate low-side and high-side driver during the load-current recirculation, PWM-off cycle. Synchronous rectification allows current to flow through the MODE-selected MOSFET, rather than the body diode, during the decay time. The body diodes of the SR power MOSFETs will conduct only during the dead time required at each PWM transition.

**Dead Time.** It is required to have a dead-time delay between a high- or low-side turn off and the next turn-on event to prevent cross conduction. The potential for cross conduction occurs with synchronous rectification, direction changes, PWM, or after a bootstrap capacitor charging cycle. The dead time is set by a resistor ( $R_{\text{dead}}$ ) between the DEAD terminal and LCAP (+5 V) and can be set between 100 ns and 5.5  $\mu\text{s}$ .

The following equations are valid for  $R_{\text{dead}}$  between 5.6 k $\Omega$  and 470 k $\Omega$ . At 25°C,

$$t_{\text{dead}} (\text{nom, ns}) = 37 + (11.9 \times 10^{-3} \times (R_{\text{dead}} + 500))$$

For predicting worst case, over voltage and temperature extremes,

$$t_{\text{dead}} (\text{min, ns}) = 10 + (6.55 \times 10^{-3} \times (R_{\text{dead}} + 350))$$

$$t_{\text{dead}} (\text{max, ns}) = 63 + (17.2 \times 10^{-3} \times (R_{\text{dead}} + 650))$$

For comparison with  $I_{\text{DEAD}}$  test currents,

$$I_{\text{DEAD}} = (V_{\text{LCAP}} - V_{\text{be}}) / (R_{\text{dead}} + R_{\text{int}})$$

where (nominal values)  $V_{\text{LCAP}} = 5 \text{ V}$ ,  $V_{\text{be}} = 0.7 \text{ V}$  at 25°C, and  $R_{\text{int}} = 500 \Omega$ .

Rather than use  $R_{\text{dead}}$  values near 470 k $\Omega$ , set DEAD = ground ( $V_{\text{DEAD}} = 0 \text{ V}$ ), which activates an internal ( $I_{\text{DEAD}} = 10 \mu\text{A}$ ) current source.

The choice of power MOSFET and external series gate resistance determines the selection of the dead-time resistor. The dead time should be made long enough to cover the variation of the MOSFET gate capacitance and series gate resistance (both external and internal to the A3932) tolerances.

**Decoupling.** The internal reference,  $V_{\text{REG}}$ , supplies current for the gate-drive circuit. As the gates are driven high they will require current from an external capacitor to support the transients. This capacitor should be placed as close as possible to the  $V_{\text{REG}}$  terminal. Its value should be at least 20 times larger than the bootstrap capacitor.

Additionally, a 0.1  $\mu\text{F}$  (or larger) decoupling capacitor should be connected between LCAP and AGND as close to the device terminals as possible.

**Protection Circuitry.** The A3932 has several protection features:

1) **Bootstrap Circuit.** The bootstrap capacitor is charged whenever a low-side MOSFET is on, Sx output goes low, and the load current recirculates. This happens constantly during normal operation. The high-side MOSFET will not be allowed to turn on before the charging has decayed to less than approximately 9 mA. No fault will be registered.

When a phase's high-side driver is on for a long time (100% duty cycle operation) its charge pump is designed to maintain  $V_{\text{GS}} > 9 \text{ V}$  on the bridge FET if  $I_{\text{GHx}}$  (the load on the gate driver)  $< 10 \mu\text{A}$ .

2) **Hall Invalid.** Illegal codes for the HALL inputs (000 or 111) will force a fault and coast the motor. Noisy Hall lines may cause double TACH pulses and, therefore, code errors that produce faults. Additional external pullup loading and filtering may be required depending on the system.

3) **VREG Undervoltage.** An internal regulator supplies the low-side gate driver and the bootstrap charge current. It is critical to ensure that  $V_{\text{REG}}$  is at the proper level before enabling any of the outputs. The undervoltage circuit is active during power-up and will force a motor coast condition (all gate drives, GHx and GLx = 0) until  $V_{\text{REG}}$  is greater than approximately 9.7 V.

4) **Thermal Shutdown.** A junction temperature greater than 165°C will signal a fault and coast the motor (all gate drives LOW). If the junction temperature then falls to less than 155°C (hysteresis), the fault will be cleared.

5) **Motor Lead Shorted to Ground.** The A3932 will signal a fault if a motor lead is shorted to ground. A short to ground is assumed after a high side is turned on and greater than 2 V is measured between the drain ( $V_{\text{BB}}$ ) and source (SA/SB/SC) of the high-side power MOSFET. This fault is cleared at the beginning of each commutation. If a stalled motor results from a fault, the fault can only be cleared by toggling the RESET terminal or by a power-up sequence.

continued next page

## Applications Information (cont'd)

**Current Control.** Internal fixed off-time PWM circuitry is implemented to limit load current to a desired value. When a high-side and low-side MOSFET are turned on, current will increase in the motor winding until it reaches a value given by

$$I_{TRIP} \approx V_{REF}/R_S.$$

At the trip point, the sense comparator resets the source-enable latch, turning off the high-side driver. Load inductance causes the current to recirculate (decay) for the fixed off time. The current path during recirculation is determined by the configuration of the MODE and SR inputs.

An external resistor ( $R_T$ ) and capacitor ( $C_T$ ), connected in parallel from the RC terminal to AGND, are used to set the fixed off-time period ( $t_{off} = R_T \times C_T$ ).  $R_T$  should be in the range of 10 k $\Omega$  to 500 k $\Omega$ . The  $t_{off}$  should be in the range of 10  $\mu$ s to 50  $\mu$ s. Larger values for  $t_{off}$  can result in audible noise problems.

Torque control can be implemented by varying the REF input voltage as long as the PWM input stays high. If direct control of the torque/current is desired by PWM input, a voltage can be applied to the REF input to set an absolute maximum current limit.

**PWM Blank.** The capacitor ( $C_T$ ) also serves as the means to set the blank time duration. At the end of the PWM off cycle, a high-side gate selected by the commutation logic will turn on. At this time, large current transients can occur during the reverse recovery time ( $t_{rr}$ ) of the intrinsic body diodes of the external power MOSFETs. To prevent false tripping of the current-sense comparator, the blank function disables the comparator for a time

$$t_{blank} = 1.9 \times C_T / (0.001 - [2/R_T])$$

The user must ensure that  $C_T$  is large enough to cover the current-spike duration.

**Braking.** The A3932 will dynamically brake by forcing all low-side MOSFETs on and all high-side MOSFETs off. This will effectively short-circuit the BEMF and brake the motor. During braking, the load current can be approximated by:

$$I_{BRAKE} = V_{BEMF}/R_L$$

Because the load current does not flow through the sense resistor during a dynamic brake, care must be taken to ensure that the power MOSFET's maximum ratings are not exceeded.

RESET = 1 overrides BRAKE and turns all motor bridge FETs off, coasting the motor.

**Low-Voltage Operation.** Although VREG can be connected to VBB for 12 V systems, the  $V_{REG}$  maximum rating of 15 V must be observed *including* transients. If transients cannot be adequately controlled, use VREG in the regulator mode (not connected to VBB). With  $V_{BB}$  less than 18 V, the  $V_{REG}$  output voltage level specification may not be met. Note that in this mode the VREG undervoltage threshold may leave the system with little headroom if  $V_{BB}$  is less than 12 V.

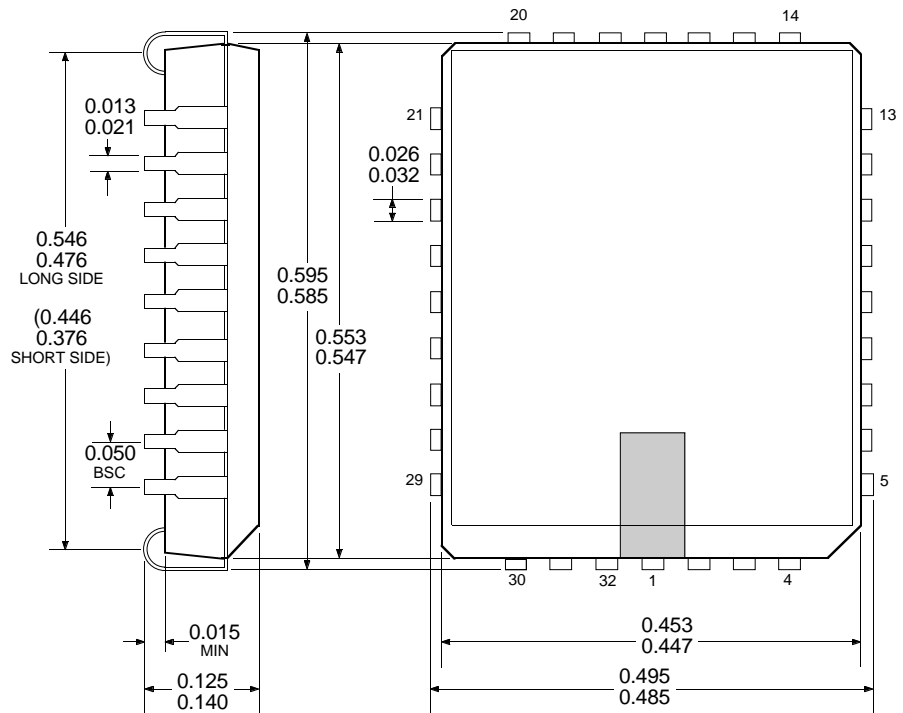
**Driving an H Bridge.** The A3932 may be used to drive an H bridge (e.g., a brush dc motor load) by hard wiring one state for the Hall inputs (e.g., H1 = H2 = 1 (HIGH), H3 = 0 (LOW)). Leave the appropriate phase driver outputs floating (in this case CC, GHC, SC, and GLC because, from the Commutation Truth Table, SC = Z). The DIR input controls the motor rotation while the PWM, MODE, and SR inputs control the motor current behavior as described in the Input Logic table.

**Layout.** Careful consideration must be given to PCB layout when designing high-frequency, fast-switching, high-current circuits.

- 1) The analog ground (AGND), the power ground (PGND), and the high-current return of the external MOSFETs (the negative side of the sense resistor) should return separately to the negative side of the motor supply filtering capacitor. This will minimize the effect of switching noise on the device logic and analog reference.
- 2) Minimize stray inductances by using short, wide copper runs at the drain and source terminals of all power MOSFETs. This includes motor lead connections, the input power buss, and the common source of the low-side power MOSFETs. This will minimize voltages induced by fast switching of large load currents.
- 3) Kelvin connect the SENSE terminal PC trace to the positive side of the sense resistor.

# 3932 THREE-PHASE POWER MOSFET CONTROLLER

Dimensions in Inches  
(controlling dimensions)

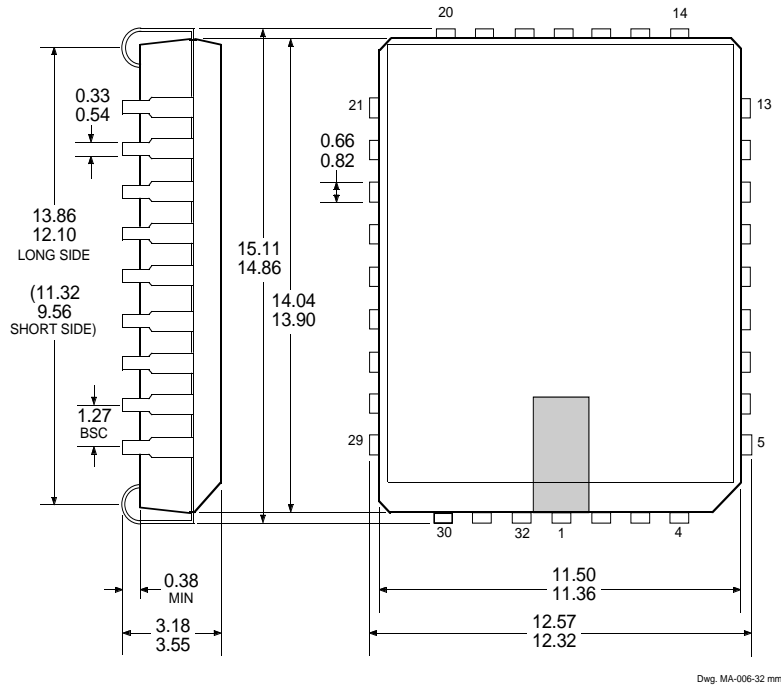


Dwg. MA-006-32 in

- NOTES:
1. Lead spacing tolerance is non-cumulative.
  2. Exact body and lead configuration at vendor's option within limits shown
  3. Supplied in standard sticks/tubes of 32 devices or add "TR" to part number for tape and reel.

# 3932 THREE-PHASE POWER MOSFET CONTROLLER

## Dimensions in Millimeters (for reference only)



- NOTES:
1. Lead spacing tolerance is non-cumulative.
  2. Exact body and lead configuration at vendor's option within limits shown
  3. Supplied in standard sticks/tubes of 32 devices or add "TR" to part number for tape and reel.

*The products described here are manufactured under one or more U.S. patents or U.S. patents pending.*

*Allegro MicroSystems, Inc. reserves the right to make, from time to time, such departures from the detail specifications as may be required to permit improvements in the performance, reliability, or manufacturability of its products. Before placing an order, the user is cautioned to verify that the information being relied upon is current.*

*Allegro products are not authorized for use as critical components in life-support devices or systems without express written approval.*

*The information included herein is believed to be accurate and reliable. However, Allegro MicroSystems, Inc. assumes no responsibility for its use; nor for any infringement of patents or other rights of third parties which may result from its use.*

# 3932

## THREE-PHASE POWER MOSFET CONTROLLER

## MOTOR DRIVERS

Function	Output Ratings*		Part Number†
<b>INTEGRATED CIRCUITS FOR BRUSHLESS DC MOTORS</b>			
3-Phase Power MOSFET Controller	—	28 V	3933
3-Phase Power MOSFET Controller	—	40 V	3935
3-Phase Power MOSFET Controller	—	50 V	3932 & 3938
3-Phase Back-EMF Controller/Driver	±900 mA	14 V	8904
3-Phase PWM Current-Controlled DMOS Driver	±3.0 A	50 V	3936
<b>INTEGRATED BRIDGE DRIVERS FOR DC AND BIPOLAR STEPPER MOTORS</b>			
PWM Current-Controlled Dual Full Bridge	±500 mA	18 V	3965
Dual Full Bridge with Protection & Diagnostics	±500 mA	30 V	3976
PWM Current-Controlled Dual Full Bridge	±650 mA	30 V	3966
PWM Current-Controlled Dual Full Bridge	±650 mA	30 V	3968
Microstepping Translator/Dual Full Bridge	±750 mA	30 V	3967
PWM Current-Controlled Dual Full Bridge	±750 mA	45 V	2916
PWM Current-Controlled Dual Full Bridge	±750 mA	45 V	2919
PWM Current-Controlled Dual Full Bridge	±750 mA	45 V	6219
PWM Current-Controlled Dual Full Bridge	±800 mA	33 V	3964
PWM Current-Controlled Dual DMOS Full Bridge	±1.0 A	35 V	3973
PWM Current-Controlled Full Bridge	±1.3 A	50 V	3953
PWM Current-Controlled Dual Full Bridge	±1.5 A	45 V	2917
PWM Current-Controlled DMOS Full Bridge	±1.5 A	50 V	3948
PWM Current-Controlled Microstepping Full Bridge	±1.5 A	50 V	3955
PWM Current-Controlled Microstepping Full Bridge	±1.5 A	50 V	3957
PWM Current-Controlled Dual DMOS Full Bridge	±1.5 A	50 V	3972
PWM Current-Controlled Dual DMOS Full Bridge	±1.5 A	50 V	3974
PWM Current-Controlled Full Bridge	±2.0 A	50 V	3952
PWM Current-Controlled DMOS Full Bridge	±2.0 A	50 V	3958
Microstepping Translator/Dual DMOS Full Bridge	±2.5 A	35 V	3977
PWM Current-Controlled DMOS Full Bridge	±3.0 A	50 V	3959
<b>UNIPOLAR STEPPER MOTOR &amp; OTHER DRIVERS</b>			
Unipolar Stepper-Motor Translator/Driver	1.25 A	50 V	5804
Unipolar Stepper-Motor Quad Drivers	1.5 A	46 V	7024 & 7029
Unipolar Microstepper-Motor Quad Driver	1.5 A	46 V	7042
Unipolar Stepper-Motor Quad Driver	1.8 A	50 V	2540
Unipolar Stepper-Motor Translator/Driver	2.0 A	46 V	7051
Unipolar Stepper-Motor Quad Driver	3.0 A	46 V	7026
Unipolar Microstepper-Motor Quad Driver	3.0 A	46 V	7044

\* Current is maximum specified test condition, voltage is maximum rating. See specification for sustaining voltage limits or over-current protection voltage limits. Negative current is defined as coming out of (sourcing) the output.

† Complete part number includes additional characters to indicate operating temperature range and package style.

Also, see 3175, 3177, 3235, and 3275 Hall-effect sensors for use with brushless dc motors.