

AX431 Series

Adjustable Shunt Regulator

Description

The AX431 series are three-terminal adjustable regulators with guaranteed thermal stability over applicable temperature ranges. The output voltage may be set to any value between V_{REF} (approximately 2.495 volts) and 36 volts with two external resistors. These devices have a typical dynamic output impedance of 0.2Ω . Active output circuitry provides a very sharp turn-on characteristic, making these devices excellent replacement for zener diodes in many applications.

Features

- Programmable output voltage
- Temperature coefficient is 50ppm/°C typical
- Temperature compensated for operation over full temperature range
- Low output noise voltage
- Fast turn on response

Ordering Information

Package	$V_{REF}: 2.495\pm 2\%$	$V_{REF}: 2.495\pm 1\%$	$V_{REF}: 2.495\pm 0.5\%$
SOT-23	AX431AN	AX431BN	AX431CN
SOT-89	AX431AM	AX431BM	AX431CM
TO-92	AX431AA	AX431BA	AX431CA
SO-8	AX431AS	AX431BS	AX431CS

Absolute Maximum Ratings

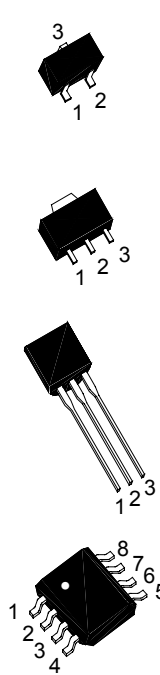
(Operating temperature range applies unless otherwise specified)

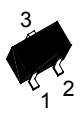
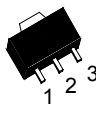
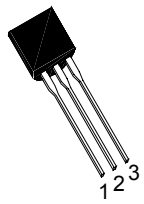
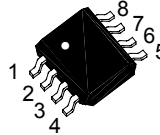
Characteristics	Symbol	Value	Unit
Cathode Voltage	V_{KA}	36	V
Cathode Current Range (Continuous)	I_k	-100~+150	mA
Reference Input Current Range	I_{REF}	0.05~+10	mA
Power Dissipation	P_D	SOT-23	280
		SOT-89	770
		TO-92	770
		SO-8	770
Operating Temperature Range	T_{opr}	0~+70	°C
Storage Temperature Range	T_{stg}	-65~+150	°C

Operating Conditions

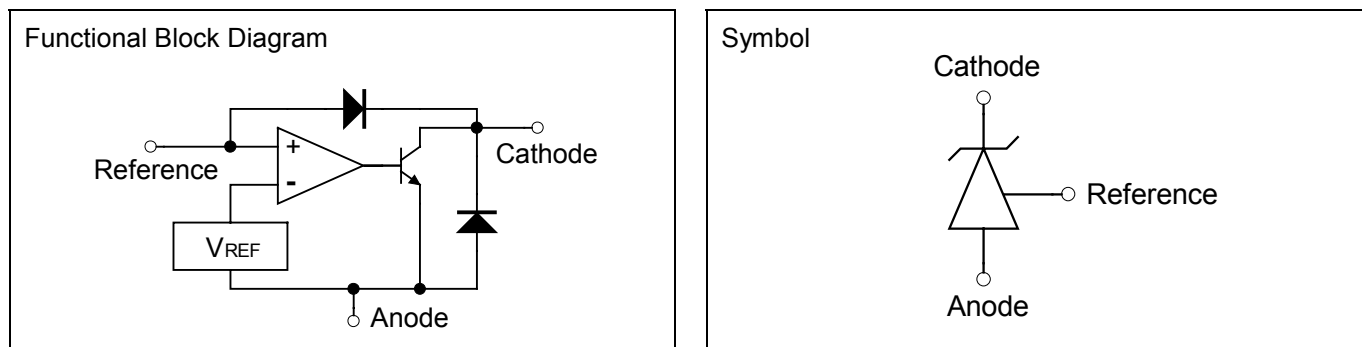
Characteristics	Symbol	Min.	Max.	Unit
Cathode Voltage	V_{KA}	V_{REF}	36	V
Cathode Current Range (Continuous)	I_k	1	100	mA

AX431 Series Pin Assignment

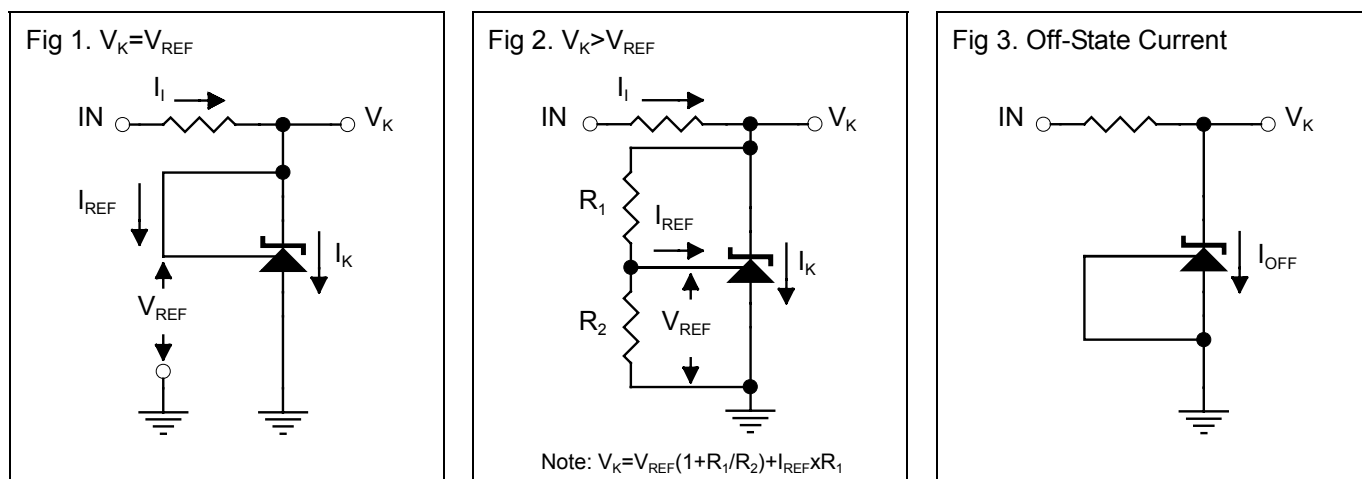


	<p>3-Lead Plastic SOT-23 Package Code: N Pin 1: Reference Pin 2: Cathode Pin 3: Anode</p>
	<p>3-Lead Plastic SOT-89 Package Code: M Pin 1: Reference Pin 2: Anode Pin 3: Cathode</p>
	<p>3-Lead Plastic TO-92 Package Code: A Pin 1: Reference Pin 2: Anode Pin 3: Cathode</p>
	<p>3-Lead Plastic SO-8 Package Code: S Pin 1: Cathode Pin 2/3/6/7: Anode Pin 4/5: NC Pin 8: Reference</p>

Functional Block Diagram & Symbol



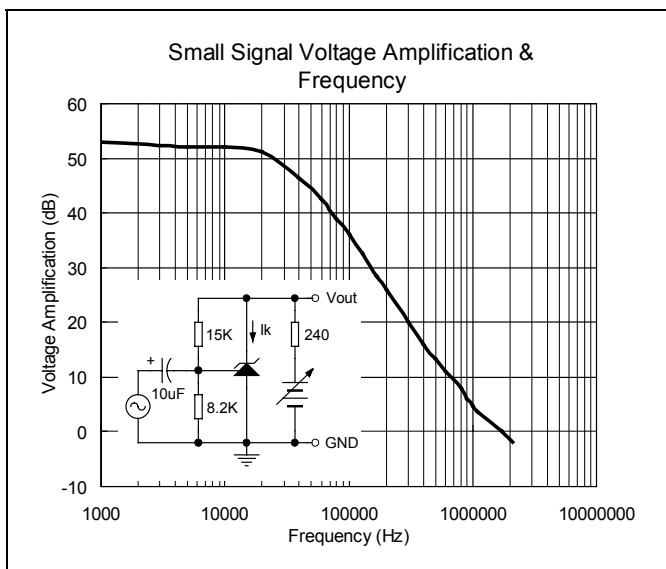
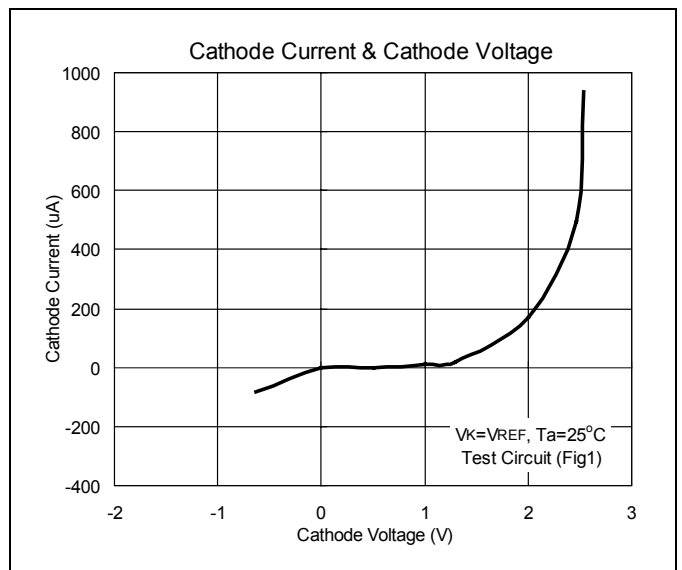
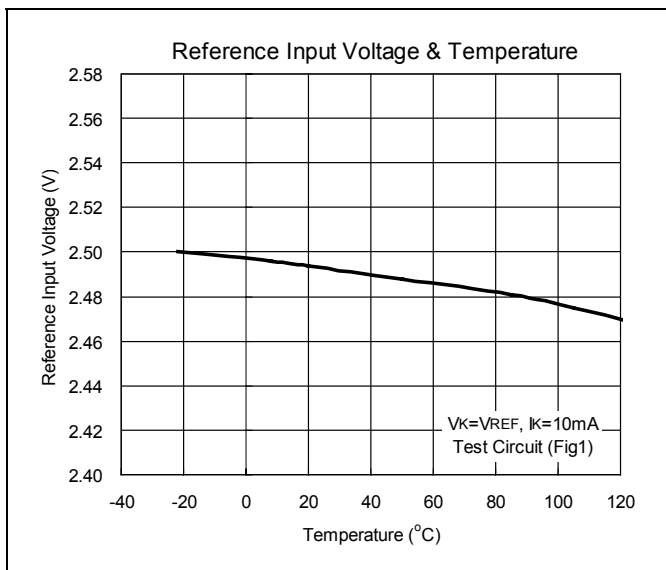
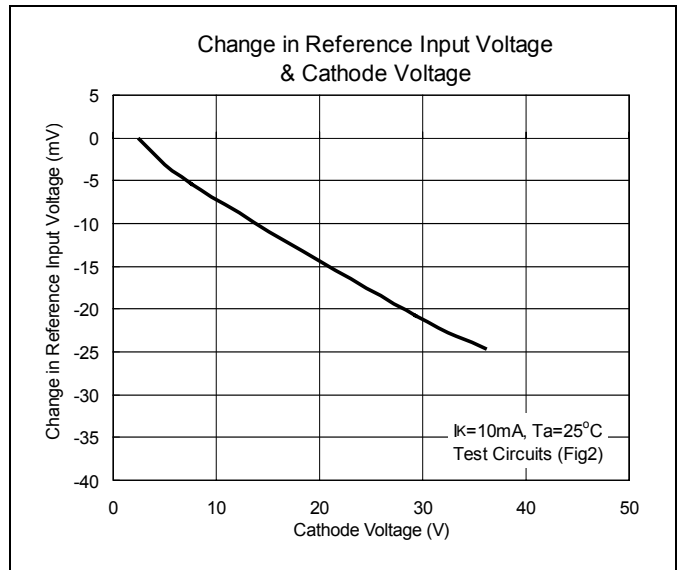
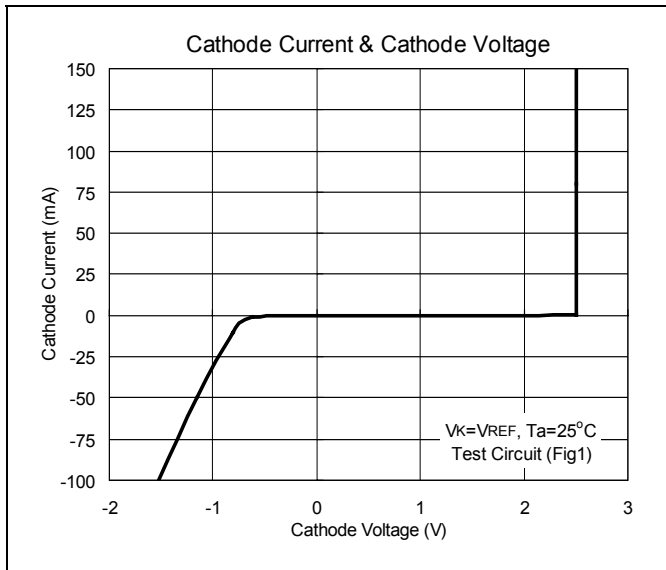
Test Circuits



Electrical Characteristics (T_A = 25°C unless otherwise specified)

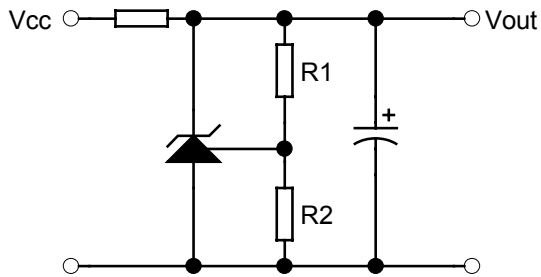
Characteristics		Symbol	Test Conditions	Min	Typ	Max	Unit
Reference Input Voltage ^(Fig1)	AX431AN/AM/AA/AS	V _{REF}	V _K = V _{REF} , I _K = 10mA	2.445	2.495	2.545	V
	AX431BN/BM/BA/BS			2.470	2.495	2.520	
	AX431CN/CM/CA/CS			2.483	2.495	2.507	
Deviation of Reference Input Voltage Over-Temperature ^(Fig1)		V _{REF(dev)}	V _K = V _{REF} , I _K = 10mA T _{min} ≤ T _a ≤ T _{max}	-	4	17	mV
Ratio of Change in Reference Input Voltage to the Change in Cathode Voltage ^(Fig2)		ΔV _{REF} / ΔV _K	I _K = 10mA, ΔV _K = 10V to V _{REF}	-	-1.4	-2.7	mV/V
			I _K = 10mA, ΔV _K = 36V to 10V	-	-1.0	-2.0	mV/V
Reference Input Current ^(Fig2)		I _{REF}	I _K = 10mA, R ₁ = 10kΩ, R ₂ = ∞	-	2	4	μA
Deviation of Reference Input Current Over Full Temperature Range ^(Fig2)		I _{REF(dev)}	I _K = 10mA, R ₁ = 10kΩ, R ₂ = ∞, T _a = Full Range	-	0.4	1.2	μA
Minimum Cathode Current for Regulation ^(Fig1)		I _{K(min)}	V _K = V _{REF}	-	0.4	1.0	mA
Off-State Cathode Current ^(Fig3)		I _{K(off)}	V _K = 36V, V _{REF} = 0	-	0.1	1.0	μA
Dynamic Output Impedance ^(Fig1)		Z _K	V _K = V _{REF} , f ≤ 1kHz I _K = 1 to 100mA	-	0.2	0.5	Ω

Characteristics Curve



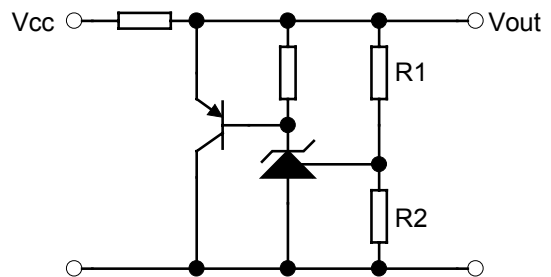
Typical Application

Fig 4. Shunt Regulator



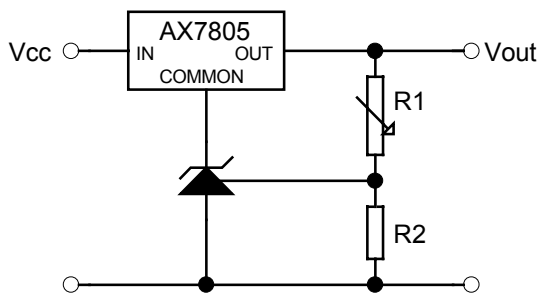
$$V_{out} = (1 + R_1/R_2)V_{REF}$$

Fig 5. High Current Shunt Regulator



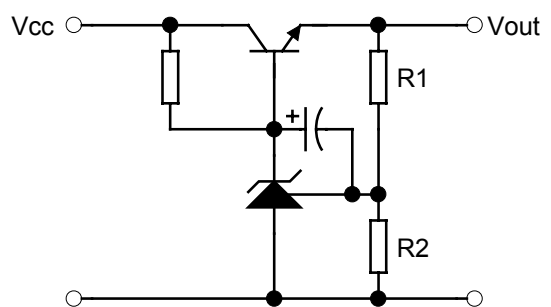
$$V_{out} = (1 + R_1/R_2)V_{REF}$$

Fig 6. Output Control of a Three-Terminal Fixed Regulator



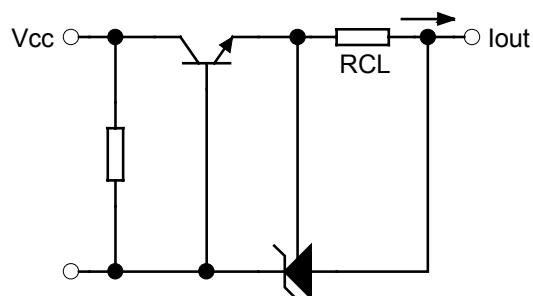
$$V_{out} = (1 + R_1/R_2)V_{REF}; V_{out(min)} = V_{REF} + 5V$$

Fig 7. Series Pass Regulator



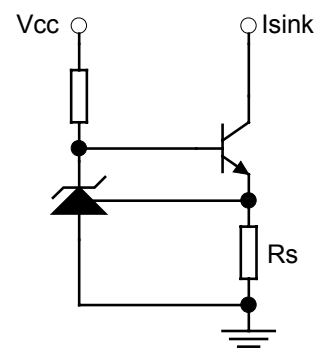
$$V_{out} = (1 + R_1/R_2)V_{REF}; V_{out(min)} = V_{REF} + V_{BE}$$

Fig 8. Current Limiter or Current Source



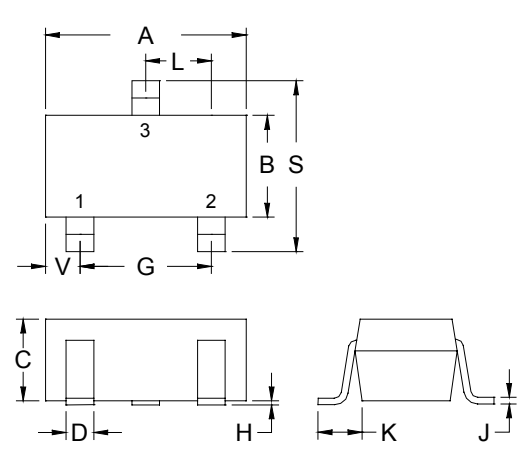
$$I_{out} = V_{REF}/R_{CL}$$

Fig 9. Constant Current Sink



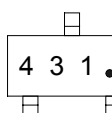
$$I_{sink} = V_{REF}/R_S$$

SOT-23 Dimension



3-Lead SOT-23 Plastic
 Surface Mounted Package
 AVANTICS Package Code: N

Marking:



Pb Free Mark
 Pb-Free: "●" (Note)
 Normal: None

Note: Pb-free product can distinguish by the green label or the extra description on the right side of the label.

Pin Style: 1.Reference 2.Cathode 3.Anode

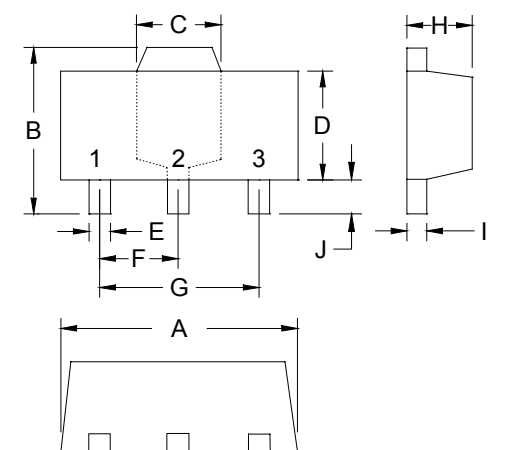
Material:

- Lead solder plating: Sn60/Pb40 (Normal), Sn/3.0Ag/0.5Cu or Pure-Tin (Pb-free)
- Mold Compound: Epoxy resin family, flammability solid burning class: UL94V-0

DIM	Min.	Max.
A	2.80	3.04
B	1.20	1.60
C	0.89	1.30
D	0.30	0.50
G	1.70	2.30
H	0.013	0.10
J	0.085	0.177
K	0.32	0.67
L	0.85	1.15
S	2.10	2.75
V	0.25	0.65

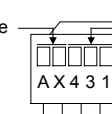
*: Typical, Unit: mm

SOT-89 Dimension



3-Lead SOT-89 Plastic
 Surface Mounted Package
 AVANTICS Package Code: M

Marking:



Date Code Control Code
 Pb Free Mark
 Pb-Free: "●" (Note)
 Normal: None

Note: Green label is used for pb-free packing

Pin Style: 1.Reference 2.Anode 3.Cathode

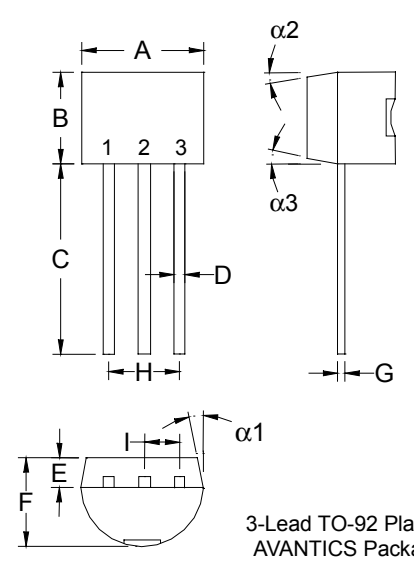
Material:

- Lead solder plating: Sn60/Pb40 (Normal), Sn/3.0Ag/0.5Cu or Pure-Tin (Pb-free)
- Mold Compound: Epoxy resin family, flammability solid burning class: UL94V-0

DIM	Min.	Max.
A	4.40	4.60
B	4.05	4.25
C	1.50	1.70
D	2.40	2.60
E	0.36	0.51
F	*1.50	-
G	*3.00	-
H	1.40	1.60
I	0.35	0.41

*: Typical, Unit: mm

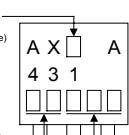
TO-92 Dimension



3-Lead TO-92 Plastic Package
AVANTICS Package Code: A

Marking:

Pb Free Mark
Pb-Free: *●* (Note)
Normal: None



Date Code Control Code

Note: Green label is used for pb-free packing
Pin Style: 1.Reference 2.Anode 3.Cathode

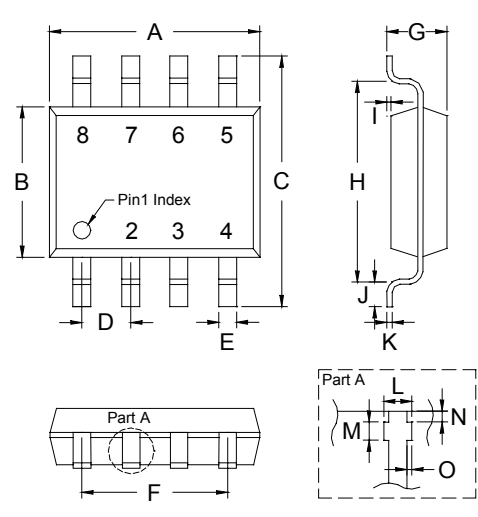
Material:

- Lead solder plating: Sn60/Pb40 (Normal), Sn3.0Ag/0.5Cu or Pure-Tin (Pb-free)
- Mold Compound: Epoxy resin family, flammability solid burning class: UL94V-0

DIM	Min.	Max.
A	4.33	4.83
B	4.33	4.83
C	12.70	-
D	0.36	0.56
E	-	*1.27
F	3.36	3.76
G	0.36	0.56
H	-	*2.54
I	-	*1.27
α1	-	*5°
α2	-	*2°
α3	-	*2°

*: Typical, Unit: mm

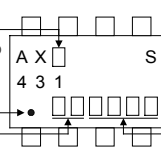
SO-8 Dimension



8-Lead SO-8 Plastic Surface Mounted Package
AVANTICS Package Code: S

Marking:

Pb Free Mark
Pb-Free: *●* (Note)
Normal: None



Pin 1 Mark Date Code Control Code

Note: Green label is used for pb-free packing
Pin Style: 1.Cathode 2/3/6/7.Anode 4/5.NC 8.Reference

Material:

- Lead solder plating: Sn60/Pb40 (Normal), Sn3.0Ag/0.5Cu or Pure-Tin (Pb-free)
- Mold Compound: Epoxy resin family, flammability solid burning class: UL94V-0

DIM	Min.	Max.
A	4.85	5.10
B	3.85	3.95
C	5.80	6.20
D	1.22	1.32
E	0.37	0.47
F	3.74	3.88
G	1.45	1.65
H	4.80	5.10
I	0.05	0.20
J	0.30	0.70
K	0.19	0.25
L	0.37	0.52
M	0.23	0.28
N	0.08	0.13
O	0.00	0.15

*: Typical, Unit: mm

Important Notice:

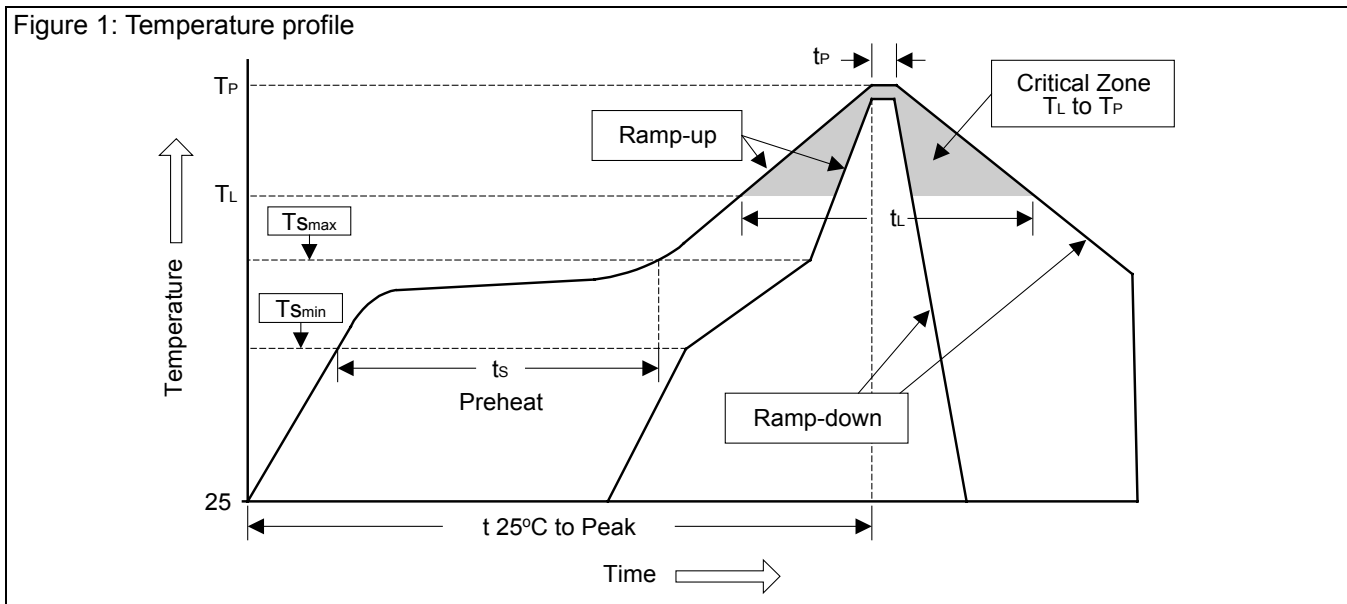
- All rights are reserved. Reproduction in whole or in part is prohibited without the prior written approval of AVANTIC.
- AVANTICS reserves the right to make changes to its products without notice.
- **AVANTICS semiconductor products are not warranted to be suitable for use in Life-Support Applications, or systems.**
- AVANTICS assumes no liability for any consequence of customer product design, infringement of patents, or application assistance.

Head Office:

- AVANTICS Microelectronics Corp: No. 255, Cai Lun Rd. Zhangjiang Technology Industrial Park Pudong, Shanghai, China
Tel: 86-021-58955599 Fax: 86-021-58558038

Soldering Methods for AVANTICS's Products

1. Storage environment: Temperature=10°C~35°C Humidity=65%±15%
2. Reflow soldering of surface-mount devices



Profile Feature	Sn-Pb Eutectic Assembly	Pb-Free Assembly
Average ramp-up rate (T_L to T_P)	<3°C/sec	<3°C/sec
Preheat		
- Temperature Min (T_{smin})	100°C	150°C
- Temperature Max (T_{smax})	150°C	200°C
- Time (min to max) (t_s)	60~120 sec	60~180 sec
T_{smax} to T_L		
- Ramp-up Rate	<3°C/sec	<3°C/sec
Time maintained above:		
- Temperature (T_L)	183°C	217°C
- Time (t_L)	60~150 sec	60~150 sec
Peak Temperature (T_P)	240°C +0/-5°C	260°C +0/-5°C
Time within 5°C of actual Peak Temperature (t_p)	10~30 sec	20~40 sec
Ramp-down Rate	<6°C/sec	<6°C/sec
Time 25°C to Peak Temperature	<6 minutes	<8 minutes

3. Flow (wave) soldering (solder dipping)

Products	Peak temperature	Dipping time
Pb devices.	245°C ±5°C	5sec ±1sec
Pb-Free devices.	260°C +0/-5°C	5sec ±1sec