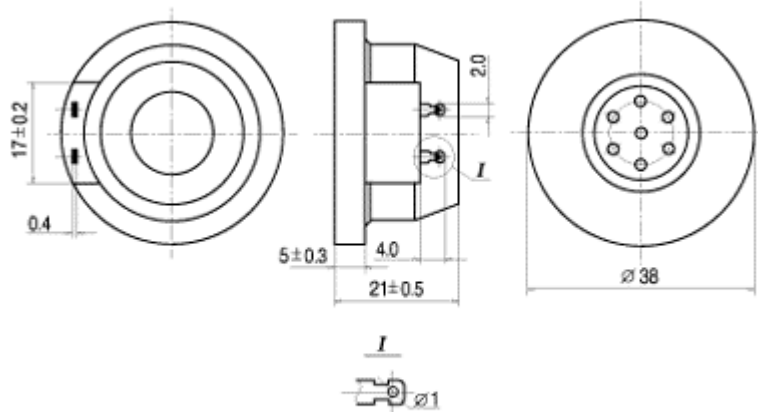




Type	BDR-1
DC Resistance( $\Omega$ )	$135 \pm 15$
AC Impedance( $\Omega$ )	$150 \pm 30$
Sensitivity(dB)	$115 \pm 2$ at 1mW
Frequency Range(Hz)	200~4000
THD	$\leq 3\%$
Operating Temperature( $^{\circ}\text{C}$ )	-20~+55
Weight(g)	39



Unit:mm

