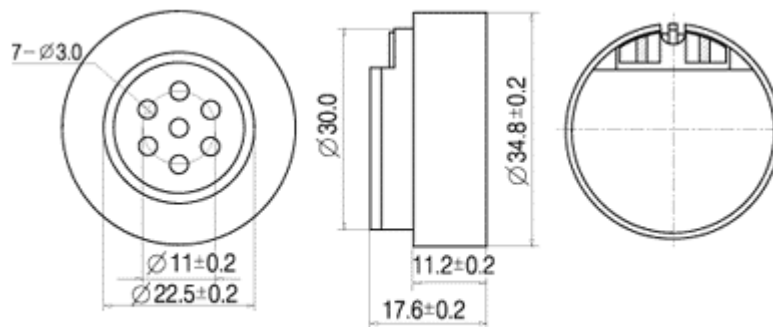




Type	BDR-4
DC Resistance(Ω)	135 \pm 15
AC Impedance(Ω)	150 \pm 30
Sensitivity(dB)	98 \pm 2 at 60mV
Frequency Range(Hz)	200~4000
THD	\leq 5%
Operating Temperature($^{\circ}$ C)	-20~+40
Weight(g)	30



Unit:mm

