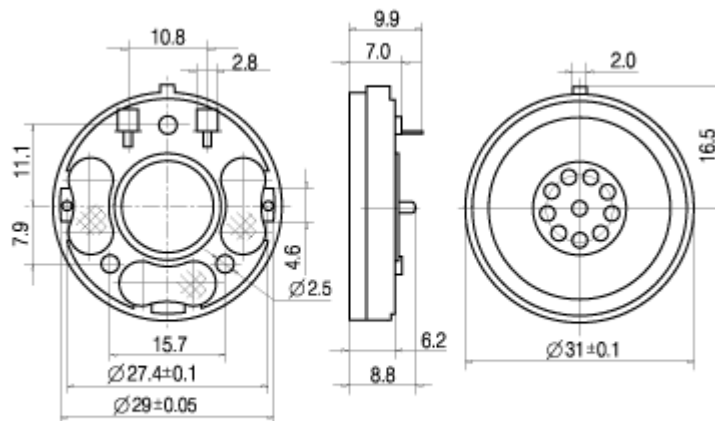




Type	BDR-6
DC Resistance(Ω)	55 \pm 10%
AC Impedance(Ω)	60 \pm 20%
Sensitivity(dB)	110 \pm 3 at 1mW
Frequency Range(Hz)	300~3200
THD	\leq 5%
Operating Temperature($^{\circ}$ C)	-25~+60
Weight(g)	5



Unit:mm

