

Digital PWM Headphone Monitor

Features

- Up to 100 dB Dynamic Range
- 2.4 V to 5.0 V supply
- Sample rates up to 96 kHz
- Digital Tone Control
 - 3 selectable HPF and LPF corner frequencies
 - 12 dB boost for bass and treble - 1 dB step size
- Programmable Digital volume control
 - +18 to -96 dB in 1 dB steps
- Peak signal soft limiting
- De-emphasis for 32 kHz, 44.1 kHz, and 48 kHz
- Selectable outputs for each channel including
 - Channel A: R, L, mono (L + R) / 2, mute
 - Channel B: R, L, mono (L + R) / 2, mute
- PWM PopGuard®
- 100 mW/Channel into 16 Ω @ 3.6 V

Description

The CS44L10 is a complete stereo digital-to-PWM Class D audio amplifier system controller including interpolation, volume control, and a headphone amplifier in a 16-pin TSSOP package.

The CS44L10 architecture uses a direct-to-digital approach that maintains digital signal integrity to the final output filter. This minimizes analog interference effects that can negatively affect system performance.

The CS44L10 contains on-chip digital bass and treble boost, peak signal limiting, and de-emphasis. The PWM amplifier can achieve greater than 90% efficiency. This efficiency leads to longer battery life for portable systems, smaller device package, less heat sink requirements, and smaller power supplies.

The CS44L10 is ideal for portable audio, headphone amplifiers, and mobile phones.

ORDERING INFORMATION

CS44L10-KZ -10 to 70 °C 16-pin TSSOP

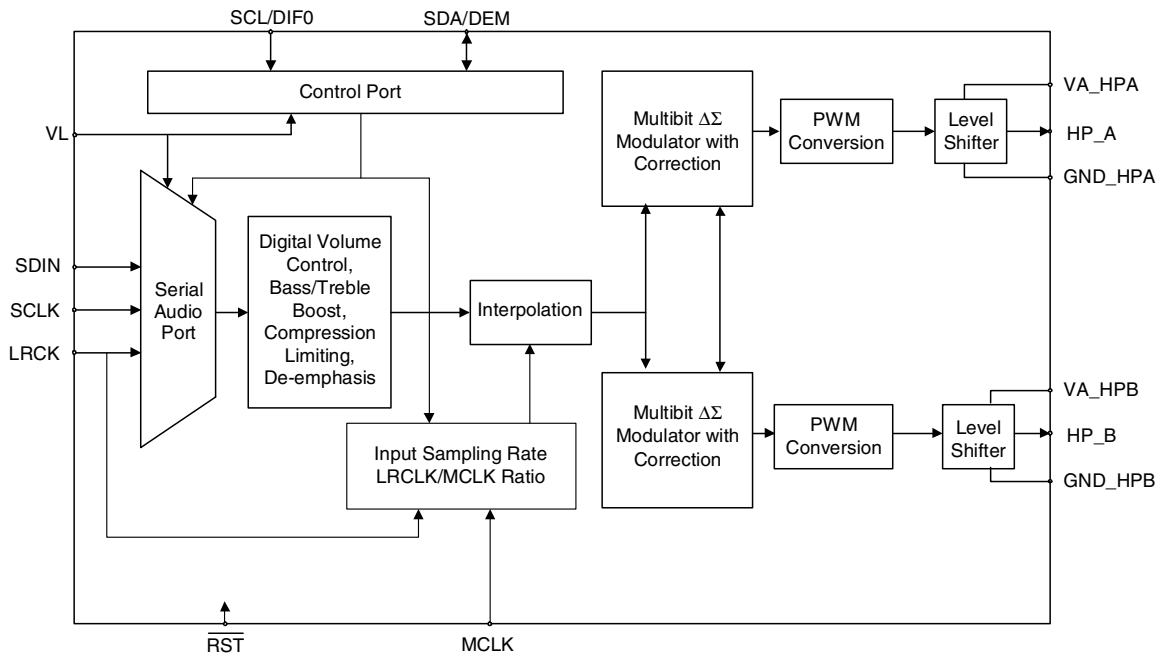


TABLE OF CONTENTS

1. CHARACTERISTICS AND SPECIFICATIONS	4
2. TYPICAL CONNECTION DIAGRAMS	10
3. REGISTER QUICK REFERENCE	12
4. REGISTER DESCRIPTIONS	13
5. PIN DESCRIPTION	25
6. APPLICATIONS	26
6.1 Grounding and Power Supply Decoupling	26
6.2 Clock Modes	26
6.3 De-Emphasis	26
6.4 PWM PopGuard Transient Control	26
6.5 Recommended Power-up Sequence	27
6.5.1 Stand Alone Mode	27
6.5.2 Control Port Mode	27
7. CONTROL PORT INTERFACE	28
7.1 Two-Wire Format	28
7.1.1 Writing in Two-Wire Format	28
7.1.2 Reading in Two-Wire Format	28
7.2 Memory Address Pointer (MAP)	29
7.2.1 INCR (Auto Map Increment Enable)	29
7.2.2 MAP3-0 (Memory Address Pointer)	29
8. PARAMETER DEFINITIONS	32
9. PACKAGE DIMENSIONS	33

LIST OF FIGURES

Figure 1. Serial Audio Data Interface Timing	7
Figure 2. Control Port Timing - Two-Wire Format	9
Figure 3. Typical CS44L10 Connection Diagram Stand-Alone Mode	10
Figure 4. Typical CS44L10 Connection Diagram Control Port Mode	11
Figure 5. Dynamics Control Block Diagram	20
Figure 6. De-Emphasis Curve	23
Figure 7. Control Port Timing, Two-Wire Format	28
Figure 8. Single Speed Stopband Rejection	30
Figure 9. Single Speed Transition Band.....	30
Figure 10. Single Speed Transition Band (Detail).....	30
Figure 11. Single Speed Passband Ripple.....	30
Figure 12. Double Speed Stopband Rejection	30

Contacting Cirrus Logic Support

For a complete listing of Direct Sales, Distributor, and Sales Representative contacts, visit the Cirrus Logic web site at:
<http://www.cirrus.com/corporate/contacts/sales.cfm>

Preliminary product information describes products which are in production, but for which full characterization data is not yet available. Advance product information describes products which are in development and subject to development changes. Cirrus Logic, Inc. has made best efforts to ensure that the information contained in this document is accurate and reliable. However, the information is subject to change without notice and is provided "AS IS" without warranty of any kind (express or implied). Customers are advised to obtain the latest version of relevant information to verify, before placing orders, that information being relied on is current and complete. All products are sold subject to the terms and conditions of sale supplied at the time of order acknowledgment, including those pertaining to warranty, patent infringement, and limitation of liability. No responsibility is assumed by Cirrus Logic, Inc. for the use of this information, including use of this information as the basis for manufacture or sale of any items, nor for infringements of patents or other rights of third parties. This document is the property of Cirrus Logic, Inc. and by furnishing this information, Cirrus Logic, Inc. grants no license, express or implied under any patents, mask work rights, copyrights, trademarks, trade secrets or other intellectual property rights of Cirrus Logic, Inc. Cirrus Logic, Inc., copyright owner of the information contained herein, gives consent for copies to be made of the information only for use within your organization with respect to Cirrus Logic integrated circuits or other parts of Cirrus Logic, Inc. The same consent is given for similar information contained on any Cirrus Logic website or disk. This consent does not extend to other copying such as copying for general distribution, advertising or promotional purposes, or for creating any work for resale. The names of products of Cirrus Logic, Inc. or other vendors and suppliers appearing in this document may be trademarks or service marks of their respective owners which may be registered in some jurisdictions. A list of Cirrus Logic, Inc. trademarks and service marks can be found at <http://www.cirrus.com>.

Figure 13. Double Speed Transition Band	30
Figure 14. Double Speed Transition Band (Detail)	31
Figure 15. Double Speed Passband Ripple	31
Figure 16. Left Justified, up to 24-Bit Data	31
Figure 17. Right Justified, 24-Bit Data	31
Figure 18. I ² S, Up to 24-Bit Data	31
Figure 19. Right Justified, 16-Bit Data	32

LIST OF TABLES

Table 1. Register Quick Reference	12
Table 2. Example Volume Settings	15
Table 3. Example Bass Boost Settings	15
Table 4. Example Treble Boost Settings	15
Table 5. Base Boost Corner Frequencies in Single Speed Mode	16
Table 6. Base Boost Corner Frequencies in Double Speed Mode	16
Table 7. Treble Boost Corner Frequencies in Single Speed Mode	17
Table 8. Example Limiter Attack Rate Settings	18
Table 9. Example Limiter Release Rate Settings	18
Table 10. ATAPI Decode	19
Table 11. Single Speed Clock Modes - Control Port Mode	21
Table 12. Single Speed Clock Modes - Stand-Alone Mode	22
Table 13. Double Speed Clock Modes - Control Port Mode	22
Table 14. Double Speed Clock Modes - Stand-Alone Mode	22
Table 15. Digital Interface Format (Stand-Alone Mode)	25

1. CHARACTERISTICS AND SPECIFICATIONS

($T_A = 25\text{ }^\circ\text{C}$; $GND = 0\text{ V}$; Logic "1" = $V_L = 2.4\text{ V}$; Logic "0" = $GND = 0\text{ V}$; Full-Scale Output Sine Wave, 997 Hz, $MCLK = 12.288\text{ MHz}$, Measurement Bandwidth 10 Hz to 20 kHz, unless otherwise specified; F_s for Single Speed Mode = 48 kHz, $SCLK = 3.072\text{ MHz}$; F_s for Double Speed Mode = 96 kHz, $SCLK = 6.144\text{ MHz}$. Test load $R_L = 16\text{ }\Omega$, $C_L = 10\text{ pF}$.) (See Typical CS44L10 Connection Diagram.)

Parameter		Symbol	Min	Typ	Max	Unit
Headphone Output Dynamic Performance for $V_D = V_L = V_{A_HPx} = 2.4\text{ V}$						
Dynamic Range	18 to 24-Bit	A-Weighted	TBD	93	-	dB
		UnWeighted	TBD	91	-	dB
	16-Bit	A-Weighted	-	91	-	dB
		UnWeighted	-	89	-	dB
Total Harmonic Distortion + Noise		0 dBFS	THD+N	-62	TBD	dB
		-20 dBFS		-71	-	dB
		-60 dBFS		-31	-	dB
Interchannel Isolation	(1 kHz)		-	TBD	-	dB
Headphone Output Dynamic Performance for $V_D = V_L = V_{A_HPx} = 3.0\text{ V}$						
Dynamic Range	18 to 24-Bit	A-Weighted	TBD	95	-	dB
		UnWeighted	TBD	92	-	dB
	16-Bit	A-Weighted	-	92	-	dB
		UnWeighted	-	90	-	dB
Total Harmonic Distortion + Noise		0 dB	THD+N	-64	TBD	dB
		-20 dB		-72	-	dB
		-60 dB		-32	-	dB
Interchannel Isolation	(1 kHz)		-	TBD	-	dB
Headphone Output Dynamic Performance for $V_D = V_L = V_{A_HPx} = 5.0\text{ V}$						
Dynamic Range	18 to 24-Bit	A-Weighted	TBD	99	-	dB
		UnWeighted	TBD	96	-	dB
	16-Bit	A-Weighted	-	91	-	dB
		UnWeighted	-	93	-	dB
Total Harmonic Distortion + Noise		0 dB	THD+N	-67	TBD	dB
		-20 dB		-76	-	dB
		-60 dB		-36	-	dB
Interchannel Isolation	(1 kHz)		-	TBD	-	dB

CHARACTERISTICS AND SPECIFICATIONS (Continued)

Parameters	Symbol	Min	Typ	Max	Units	
PWM Headphone Output						
Full Scale Headphone Output Voltage		TBD	0.85 x VA_HP	TBD	Vp	
Headphone Output Quiescent Voltage		-	0.5 x VA_HP	-	VDC	
Interchannel Gain Mismatch		-	0.1	-	dB	
Modulation Index		-	-	85	%	
Maximum Headphone Output AC-Current	VA_HP \times =2.4V VA_HP \times =5.0V	I _{HP}	-	45 80	- -	mA mA

Parameter	Symbol	Single Speed Mode			Double Speed Mode			Unit
		Min	Typ	Max	Min	Typ	Max	
Digital Filter Response (Note 1))								
Passband (Note 2)	to -0.05 dB corner	0	-	.4535	-	-	-	Fs
	to -0.1 dB corner	-	-	-	0	-	.4426	Fs
	to -3 dB corner	0	-	.4998	0	-	.4984	Fs
Frequency Response 10 Hz to 20 kHz (Note 3)		-.02	-	+.08	0	-	+0.11	dB
StopBand		.5465	-	-	.577	-	-	Fs
StopBand Attenuation (Note 4)		50	-	-	55	-	-	dB
Group Delay	tg _d	-	9/Fs	-	-	4/Fs	-	s
Passband Group Delay Deviation	0 - 40 kHz	-	-	-	-	±1.39/Fs	-	s
	0 - 20 kHz	-	±0.36/Fs	-	-	±0.23/Fs	-	s
De-emphasis Error (Relative to 1 kHz)	Fs = 32 kHz	-	-	+.2/- .1	(Note 5)			dB
	Fs = 44.1 kHz	-	-	+.05/- .14				dB
	Fs = 48 kHz	-	-	+0/- .22				dB

Note:

1. Filter response is not tested but is guaranteed by design.
2. Response is clock dependent and will scale with Fs. Note that the response plots (Figures 8-15) have been normalized to Fs and can be de-normalized by multiplying the X-axis scale by Fs.
3. Referenced to a 1 kHz, full-scale sine wave.
4. For Single Speed Mode, the measurement bandwidth is 0.5465 Fs to 3 Fs.
For Double Speed Mode, the measurement bandwidth is 0.577 Fs to 1.4 Fs.
5. De-emphasis is not available in double speed mode.

ABSOLUTE MAXIMUM RATINGS (GND = 0V; all voltages with respect to ground.)

Parameters	Symbol	Min	Max	Units	
DC Power Supplies:	Headphone	VA_HPx	2.4	5.5	V
	Interface	VL	2.4	5.5	V
	Digital	VD	2.4	5.5	V
Input Current, Any Pin Except Supplies	I _{in}		±10	mA	
Digital Input Voltage	V _{IND}	-0.3	VL + 0.4	V	
Ambient Operating Temperature (power applied)	T _A	-55	125	°C	
Storage Temperature	T _{stg}	-65	150	°C	

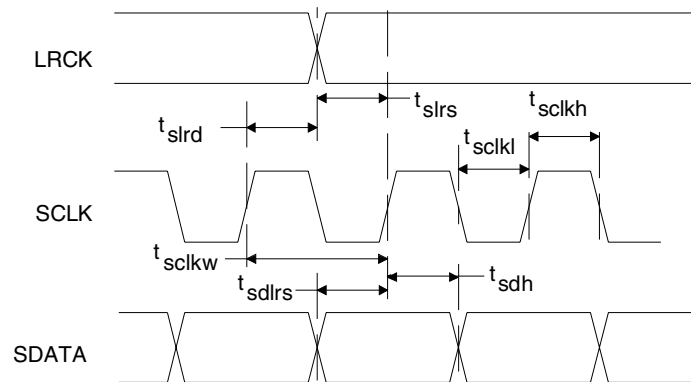
CAUTION: Operation at or beyond these limits may result in permanent damage to the device. Normal operation is not guaranteed at these extremes.

RECOMMENDED OPERATING CONDITIONS (GND = 0V; all voltages with respect to ground.)

Parameters	Symbol	Min	Typ	Max	Units	
Ambient Temperature	T _A	-10	-	70	°C	
DC Power Supplies:	Headphone	VA_HPx	2.4	-	5.0	V
	Interface	VL	2.4	-	5.0	V
	Digital	VD	2.4	-	5.0	V

SWITCHING CHARACTERISTICS (T_A = -10 to 70°C; VL = 2.4V - 5.0V; Inputs: Logic 0 = GND, Logic 1 = VL, CL = 20pF)

Parameters	Symbol	Min	Typ	Max	Units	
Input Sample Rate	Single Speed Mode	F _s	8	-	50	kHz
	Double Speed Mode	F _s	50	-	100	kHz
MCLK Duty Cycle		40	50	60	%	
LRCK Duty Cycle		40	50	60	%	
SCLK Pulse Width Low	t _{sclkl}	20	-	-	ns	
SCLK Pulse Width High	t _{sclkh}	20	-	-	ns	
SCLK Period	Single Speed Mode	t _{sclkw}	$\frac{1}{(128)F_s}$	-	-	ns
	Double Speed Mode	t _{sclkw}	$\frac{1}{(64)F_s}$	-	-	ns
SCLK rising to LRCK edge delay	t _{slrd}	20	-	-	ns	
SCLK rising to LRCK edge setup time	t _{slrs}	20	-	-	ns	
SDIN valid to SCLK rising setup time	t _{sdlrs}	20	-	-	ns	
SCLK rising to SDIN hold time	t _{sdh}	20	-	-	ns	


Figure 1. Serial Audio Data Interface Timing

POWER AND THERMAL CHARACTERISTICS (GND = 0 V; All voltages with respect to ground. All measurements taken with all zeros input and open outputs, unless otherwise specified.)

Parameters	Symbol	Min	Typ	Max	Units	
Power Supplies						
Power Supply Current- Normal Operation	VA_HP _x = 2.4 V	I_{VA_HP}	-	1	-	mA
	VD = 2.4 V	I_D	-	10	-	mA
	VL = 2.4 V	I_L	-	1	-	mA
Power Supply Current- Power Down Mode (Note 6)	VA_HP _x = 2.4V	I_{VA_HP}	-	TBD	-	μA
	VD = 2.4V	I_D	-	TBD	-	μA
	VL = 2.4V	I_L	-	TBD	-	μA
Power Supply Current- Normal Operation	VA_HP _x = 5.0 V	I_{VA_HP}	-	2	-	mA
	VD = 5.0 V	I_D	-	20	-	mA
	VL = 5.0 V	I_L	-	2	-	mA
Power Supply Current- Power Down Mode (Note 6)	VA_HP _x = 5.0V	I_{VA_HP}	-	TBD	-	μA
	VD = 5.0V	I_D	-	TBD	-	μA
	VL = 5.0 V	I_L	-	TBD	-	μA
Total Power Dissipation- Normal Operation	All Supplies = 2.4 V		-	29	-	mW
	All Supplies = 5.0 V		-	120	-	mW
Power Supply Rejection Ratio	PSRR	-	0	-	dB	
Maximum Headphone Power Dissipation (1 kHz full-scale sine wave into 16 ohm load)	VA=2.4 V		-	-	-	mW
	VA=5.0 V		-	23	-	mW
Package Thermal Resistance	θ_{JA}	-	75	-	°C/Watt	

Note:

- Power Down Mode is defined as $\overline{RST} = \text{LO}$ with all clocks and data lines held static.

DIGITAL CHARACTERISTICS ($T_A = 25^\circ \text{C}$; $V_L = 2.4 \text{ V} - 3.6 \text{ V}$; $\text{GND} = 0 \text{ V}$)

Parameters	Symbol	Min	Typ	Max	Units
High-Level Input Voltage	V_{IH}	$0.7 \times V_L$	-	-	V
Low-Level Input Voltage	V_{IL}	-	-	$0.3 \times V_L$	V
Input Leakage Current	I_{in}	-	-	± 10	μA
Input Capacitance		-	8	-	pF

SWITCHING CHARACTERISTICS- CONTROL PORT- TWO-WIRE FORMAT

 (Note 7) ($T_A = 25^\circ \text{C}$; $V_L = 2.4 \text{ V} - 5.0 \text{ V}$; Inputs: Logic 0 = GND, Logic 1 = V_L , $C_L = 30 \text{ pF}$)

Parameter	Symbol	Min	Max	Unit
SCL Clock Frequency	f_{scl}	-	100	kHz
RST Rising Edge to Start	t_{irs}	500	-	ns
Bus Free Time Between Transmissions	t_{buf}	4.7	-	μs
Start Condition Hold Time (prior to first clock pulse)	t_{hdst}	4.0	-	μs
Clock Low time	t_{low}	4.7	-	μs
Clock High Time	t_{high}	4.0	-	μs
Setup Time for Repeated Start Condition	t_{sust}	4.7	-	μs
SDA Hold Time from SCL Falling (Note 8)	t_{hdd}	0	-	μs
SDA Setup time to SCL Rising	t_{sud}	250	-	ns
Rise Time of SCL and SDA	t_{rc}, t_{rc}	-	1	μs
Fall Time SCL and SDA	t_{fc}, t_{fc}	-	300	ns
Setup Time for Stop Condition	t_{susp}	4.7	-	μs
Acknowledge Delay from SCL Falling (Note 9)	t_{ack}	-	(Note 10)	ns

Note:

7. The Two-Wire Format is compatible with the I^2C protocol.
8. Data must be held for sufficient time to bridge the transition time, t_{fc} , of SCL.
9. The acknowledge delay is based on MCLK and can limit the maximum transaction speed.
10. $\frac{5}{256 \times F_s}$ for Single-Speed Mode and $\frac{5}{128 \times F_s}$ for Double-Speed Mode.

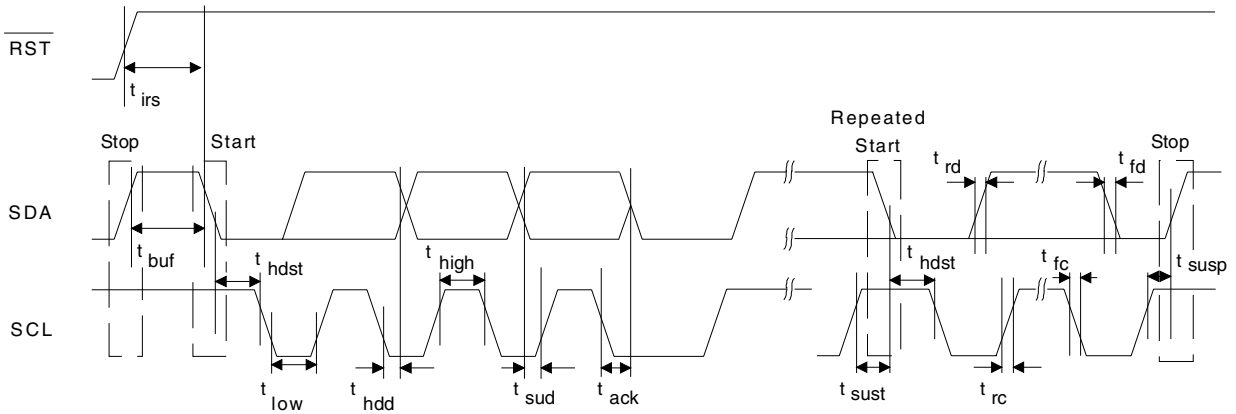


Figure 2. Control Port Timing - Two-Wire Format

2. TYPICAL CONNECTION DIAGRAMS

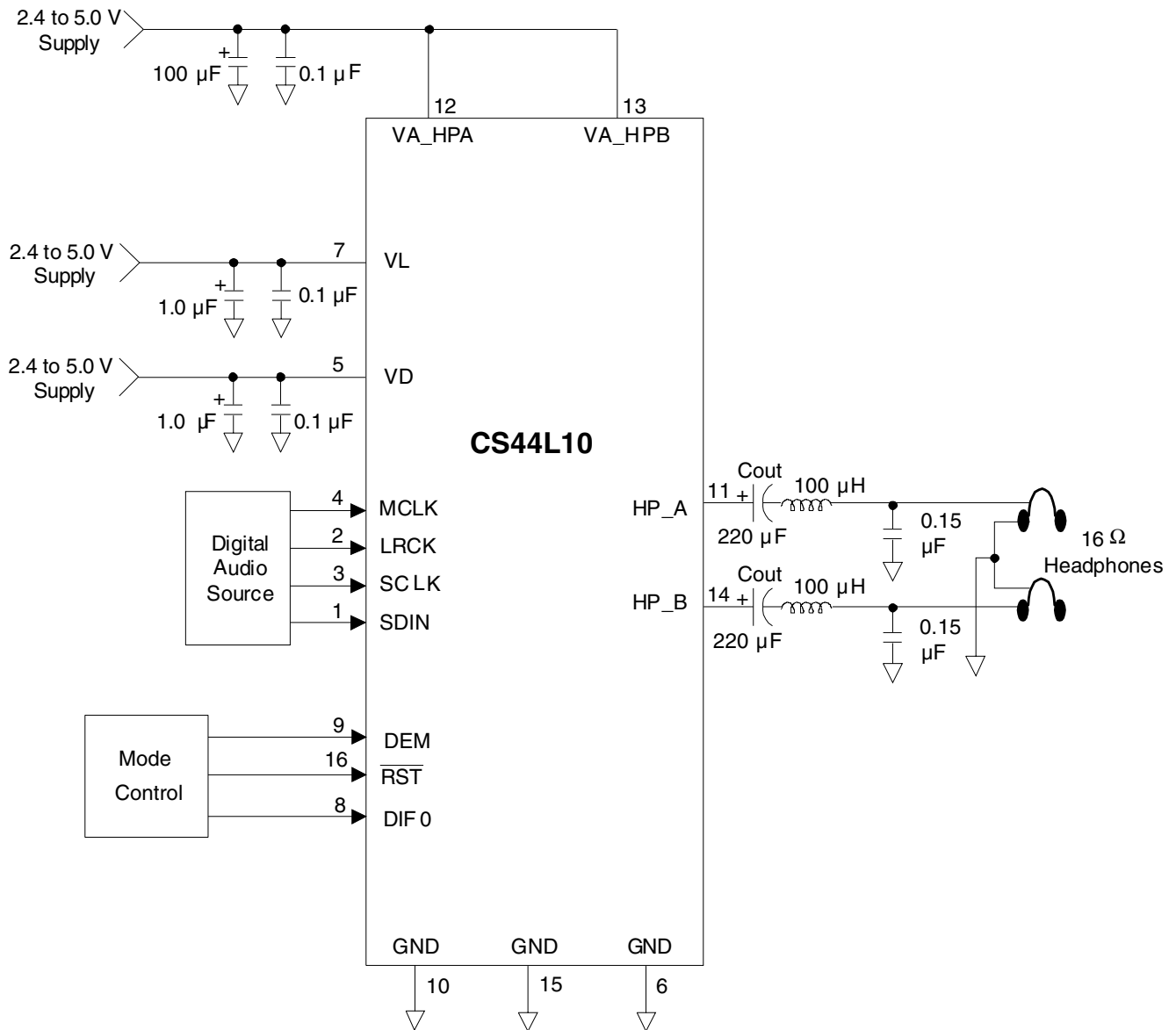


Figure 3. Typical CS44L10 Connection Diagram Stand-Alone Mode

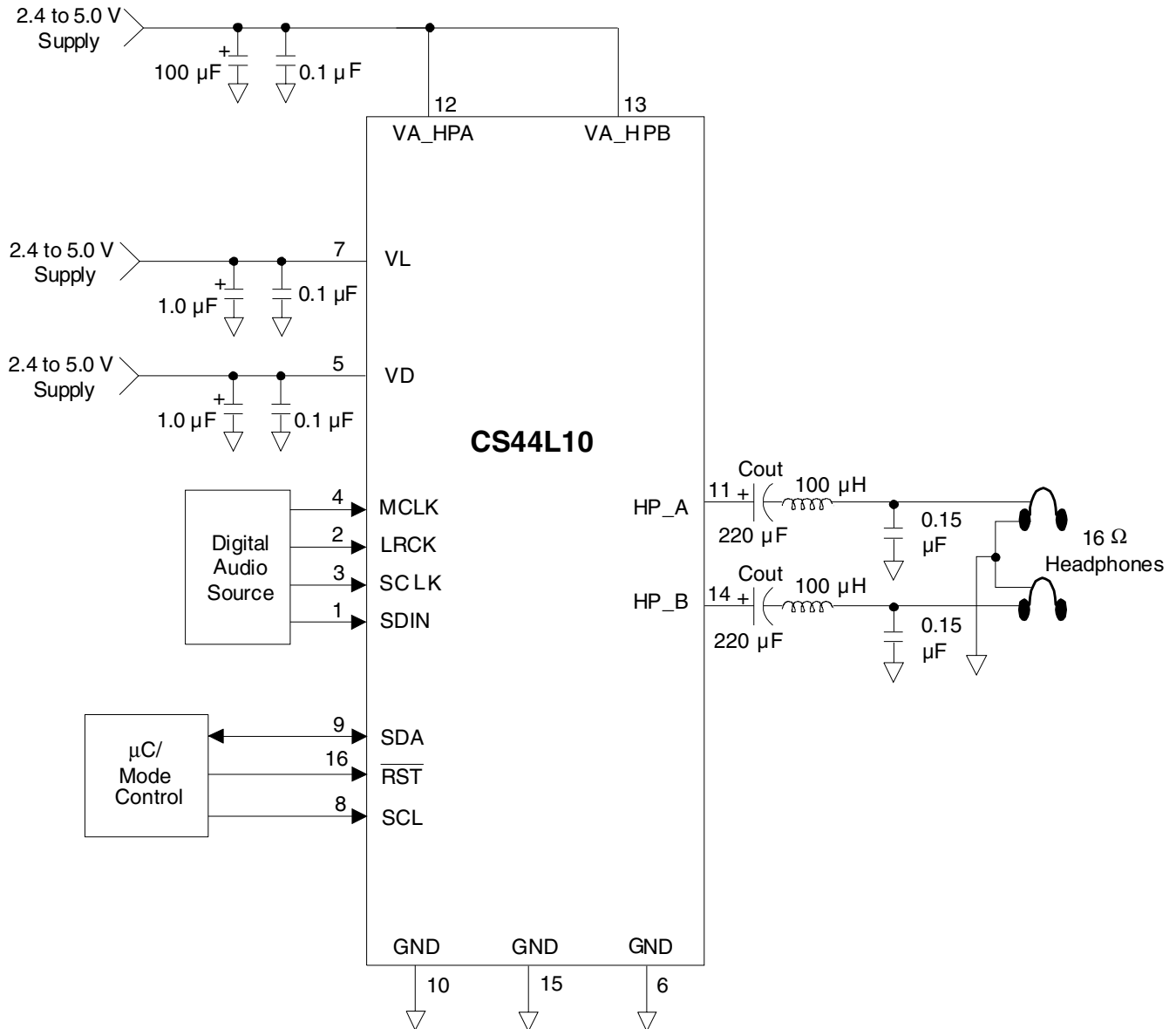


Figure 4. Typical CS44L10 Connection Diagram Control Port Mode

3. REGISTER QUICK REFERENCE

Addr	Function	7	6	5	4	3	2	1	0
2h	Power and Muting Control default	SZC1 1	SZC0 0	PDN 1	FLT 0	RUPBYP 0	RDNBYP 0	Reserved 0	Reserved 0
3h	Channel A Volume Control default	VOLA7 0	VOLA6 0	VOLA5 0	VOLA4 0	VOLA3 0	VOLA2 0	VOLA1 0	VOLA0 0
4h	Channel B Volume Control default	VOLB7 0	VOLB6 0	VOLB5 0	VOLB4 0	VOLB3 0	VOLB2 0	VOLB1 0	VOLB0 0
5h	Tone Control default	BB3 0	BB2 0	BB1 0	BB0 0	TB3 0	TB2 0	TB1 0	TB0 0
6h	Mode Control 1 default	BBCF1 0	BBCF0 0	TBCF1 0	TBCF0 0	TC1 0	TC0 0	TC_EN 0	LIM_EN 0
7h	Limiter Attack Rate default	ARATE7 0	ARATE6 0	ARATE5 0	ARATE4 1	ARATE3 0	ARATE2 0	ARATE1 0	ARATE0 0
8h	Limiter Release Rate default	RRATE7 0	RRATE6 0	RRATE5 1	RRATE4 0	RRATE3 0	RRATE2 0	RRATE1 0	RRATE0 0
9h	Volume and Mixing Control default	Reserved 0	Reserved 0	RMP_SP1 0	RMP_SP0 1	ATAPI3 1	ATAPI2 0	ATAPI1 0	ATAPI0 1
Ah	Mode Control2 default	MCLKDIV 0	CLKDV1 0	CLKDV0 0	DBS 0	FRQSFT1 0	FRQSFT0 0	DEM1 0	DEM0 0
Bh	Mode Control 3 default	DIF1 0	DIF0 0	A=B 0	VCBYP 0	CP_EN 0	FREEZE 0	Reserved 0	Reserved 0
Ch	Revision Indicator default	Reserved 0	Reserved 0	Reserved 0	Reserved 0	REV3 Read Only	REV2 Read Only	REV1 Read Only	REV0 Read Only

Table 1. Register Quick Reference

4. REGISTER DESCRIPTIONS

4.1 Power and Muting Control (address 02h)

7	6	5	4	3	2	1	0
SZC1	SZC0	PDN	FLT	RUPBYP	RDNBYP	Reserved	Reserved
1	0	1	0	0	0	0	0

4.1.1 SOFT RAMP AND ZERO CROSS CONTROL (SZC)

Default = 10

00 - Immediate Change

01 - Zero Cross Control

10 - Ramped Control

11 - Reserved

Function:

Immediate Change

When Immediate Change is selected, all level changes will take effect immediately in one step.

Zero Cross Control

Zero Cross Enable dictates that signal level changes, either by attenuation changes or muting, will occur on a signal zero crossing to minimize audible artifacts. The requested level change will occur after a time-out period of 512 sample periods (10.7 ms at 48 kHz sample rate) if the signal does not encounter a zero crossing. The zero cross function is independently monitored and implemented for each channel.

Ramped Control

Soft Ramp allows level changes, both muting and attenuation, to be implemented by incrementally ramping, in 1/8 dB steps, from the current level to the new level at a rate of 1 dB per 8 left/right clock periods.

Note: Ramped Control is not available in Double Speed Mode.

4.1.2 POWER DOWN (PDN)

Default = 1

0 - Disabled

1 - Enabled

Function:

The entire device will enter a low-power state when this function is enabled, and the contents of the control registers are retained in this mode. The power-down bit defaults to 'enabled' on power-up and must be disabled before normal operation in Control Port mode can occur.

4.1.3 FLOAT OUTPUT (FLT)

Default = 0

0 - Disabled

1 - Enabled

Function:

When enabled, this bit will cause the headphone output of the CS44L10 to float when in the power down state (PDN=1). The float function can be used in single-ended applications to maintain the charge on the DC-blocking capacitor during power transients. On power transitions, the output will quickly change to the bias point, however, if the DC-blocking capacitor still has a full charge, as in short power cycles, the transition will be very small, often inaudible. Refer to Section 6.4.

4.1.4 RAMP UP BYPASS (RUPBYP)

Default = 0

0 - Normal

1 - Bypass

Function:

When in normal mode, the duty cycle of the output PWM signal is increased at a rate determined by the Ramp Speed variable (RMP_SPx). Normal mode is used in Single Ended applications to reduce pops in the output caused by the DC-blocking capacitor. When the ramp up function is bypassed in Single Ended applications, there will be an abrupt change in the output signal. Refer to Section 6.4.

4.1.5 RAMP DOWN BYPASS (RDNBYP)

Default = 0

0 - Disabled

1 - Enabled

Function:

When in normal mode, the duty cycle of the output PWM signal is decreased at a rate determined by the Ramp Speed variable (RMP_SPx). Normal mode is used in Single Ended applications to reduce pops in the output caused by the DC-blocking capacitor and changes in bias conditions. When the ramp down function is bypassed in Single Ended applications, there will be an abrupt change in the output signal. Refer to Section 6.4.

4.2 Channel A Volume Control (address 03h) (VOLA)
4.3 Channel B Volume Control (address 04h) (VOLB)

7	6	5	4	3	2	1	0
VOLx7	VOLx6	VOLx5	VOLx4	VOLx3	VOLx2	VOLx1	VOLx0
0	0	0	0	0	0	0	0

Default = 0 dB (No attenuation)

Function:

The Volume Control registers allow independent control of the signal levels in 1 dB increments from +18 to -96 dB. Volume settings are decoded using a 2's complement code, as shown in Table 2. The volume changes are implemented as dictated by the Soft and Zero Cross bits. All volume settings less than -96 dB are equivalent to muting the channel via the ATAPI bits (see Section 4.8.2).

Note: All volume settings greater than +18 dB are interpreted as +18 dB.

Binary Code	Decimal Value	Volume Setting
00001010	12	+12 dB
00000111	7	+7 dB
00000000	0	0 dB
11000100	-60	-60 dB
10100110	-90	-90 dB

Table 2. Example Volume Settings

4.4 Tone Control (address 05h)

7	6	5	4	3	2	1	0
BB3	BB2	BB1	BB0	TB3	TB2	TB1	TB0
0	0	0	0	0	0	0	0

4.4.1 BASS BOOST LEVEL (BB)

Default = 0 dB (No Bass Boost)

Function:

The level of the shelving bass boost filter is set by Bass Boost Level. The level can be adjusted in 1 dB increments from 0 to +12 dB of boost. Boost levels are decoded as shown in Table 3. Levels above +12 dB are interpreted as +12 dB.

Binary Code	Decimal Value	Boost Setting
0000	0	0 dB
0010	2	+2 dB
1010	6	+6 dB
1001	9	+9 dB
1100	12	+12 dB

Table 3. Example Bass Boost Settings

4.4.2 TREBLE BOOST LEVEL (TB)

Default = 0 dB (No Treble Boost)

Function:

The level of the shelving treble boost filter is set by Treble Boost Level. The level can be adjusted in 1 dB increments from 0 to +12 dB of boost. Boost levels are decoded as shown in Table 4. Levels above +12 dB are interpreted as +12 dB.

Note: Treble Boost is not available in Double Speed Mode.

Binary Code	Decimal Value	Boost Setting
0000	0	0 dB
0010	2	+2 dB
1010	6	+6 dB
1001	9	+9 dB
1100	12	+12 dB

Table 4. Example Treble Boost Settings

4.5 Mode Control 1 (address 06h)

7	6	5	4	3	2	1	0
BBCF1	BBCF0	TBCF1	TBCF0	TC1	TC0	TC_EN	LIM_EN
0	0	0	0	0	0	0	0

4.5.1 BASS BOOST CORNER FREQUENCY (BBCF)

Default = 00

- 00 - 50 Hz
- 01 - 100 Hz
- 10 - 200 Hz
- 11 - Reserved

Function:

The bass boost corner frequency is user-selectable. The corner frequency is a function of LRCK (sampling frequency), the DBS bit and the BBCF bits as shown in Table 5 and Table 6.

BBCF Fs	LRCK in Single Speed Mode (DBS=0)			
	48 kHz	24 kHz	12 kHz	8 kHz
00	50 Hz	25 Hz	12.5 Hz	8.33 Hz
01	100 Hz	50 Hz	25 Hz	16.7 Hz
10	200 Hz	100 Hz	50 Hz	33.3 Hz
11	Reserved	Reserved	Reserved	Reserved

Table 5. Base Boost Corner Frequencies in Single Speed Mode

BBCF Fs	LRCK in Double Speed Mode (DBS=1)			
	96 kHz	48 kHz	24 kHz	16 kHz
00	50 Hz	25 Hz	12.5 Hz	8.33 Hz
01	100 Hz	50 Hz	25 Hz	16.7 Hz
10	200 Hz	100 Hz	50 Hz	33.3 Hz
11	Reserved	Reserved	Reserved	Reserved

Table 6. Base Boost Corner Frequencies in Double Speed Mode

4.5.2 TREBLE BOOST CORNER FREQUENCY (TBCF)

Default = 00

- 00 - 2 kHz
- 01 - 4 kHz
- 10 - 7 kHz
- 11 - Reserved

Function:

The treble boost corner frequency is user selectable. The corner frequency is a function of LRCK (sampling frequency) and the TBCF bits as shown in Table 7.

Note: Treble Boost is not available in Double Speed Mode.

TBCF Fs	LRCK in Single Speed Mode (DBS=0)			
	48 kHz	24 kHz	12 kHz	8 kHz
00	2 kHz	1 kHz	0.5 kHz	0.33 kHz
01	4 kHz	2 kHz	1 kHz	0.67 kHz
10	7 kHz	3.5 kHz	1.75 kHz	1.17 kHz
11	Reserved	Reserved	Reserved	Reserved

Table 7. Treble Boost Corner Frequencies in Single Speed Mode

4.5.3 TONE CONTROL MODE (TC)

Default = 00

00 - All settings are taken from user registers

01 - 12 dB of Bass Boost at 100 Hz and 6 dB of Treble Boost at 7 kHz (at LRCK = 48 kHz)

10 - 8 dB of Bass Boost at 100 Hz and 4 dB of Treble Boost at 7 kHz (at LRCK = 48 kHz)

11 - 4 dB of Bass Boost at 100 Hz and 2 dB of Treble Boost at 7 kHz (at LRCK = 48 kHz)

Function:

The Tone Control Mode bits determine how the Bass Boost and Treble Boost features are configured. The user-defined settings from the Bass and Treble Boost Level and Corner Frequency registers are used when these bits are set to '00'. Alternately, one of three pre-defined settings may be used (these settings are a function of LRCK - refer to tables 5, 6, and 7).

Note: Treble boost is not available in Double Speed Mode.

4.5.4 TONE CONTROL ENABLE (TC_EN)

Default = 0

0 - Disabled

1 - Enabled

Function:

The Bass Boost and Treble Boost features are active when this function is enabled.

4.5.5 PEAK SIGNAL LIMITER ENABLE (LIM_EN)

Default = 0

0 - Disabled

1 - Enabled

Function:

The CS44L10 will limit the maximum signal amplitude to prevent clipping when this function is enabled. Peak Signal Limiting is performed by first decreasing the Bass and Treble Boost Levels. If the signal is still clipping, the digital attenuation is increased. The attack rate is determined by the Limiter Attack Rate register.

Once the signal has dropped below the clipping level, the attenuation is decreased back to the user selected level followed by the Bass Boost being increased back to the user selected level. The release rate is determined by the Limiter Release Rate register.

Note: The A=B bit should be set to '1' for optimal limiter performance.

4.6 Limiter Attack Rate (address 07h) (ARATE)

7	6	5	4	3	2	1	0
ARATE7	ARATE6	ARATE5	ARATE4	ARATE3	ARATE2	ARATE1	ARATE0
0	0	0	1	0	0	0	0

Default = 10h - 2 LRCK's per 1/8 dB

Function:

The limiter attack rate is user-selectable. The rate is a function of sampling frequency, A_s , and the value in the Limiter Attack Rate register. Rates are calculated using the function $RATE = 32/\{value\}$, where $\{value\}$ is the decimal value in the Limiter Attack Rate register and RATE is in LRCK's per 1/8 dB of change.

Note: A value of zero in this register is not recommended, as it will induce erratic behavior of the limiter. Use the LIM_EN bit to disable the limiter function (see "Peak Signal Limiter Enable (LIM_EN)").

Binary Code	Decimal Value	LRCK's per 1/8 dB
00000001	1	32
00010100	20	1.6
00101000	40	0.8
00111100	60	0.53
01011010	90	0.356

Table 8. Example Limiter Attack Rate Settings

4.7 Limiter Release Rate (address 08h) (RRATE)

7	6	5	4	3	2	1	0
RRATE7	RRATE6	RRATE5	RRATE4	RRATE3	RRATE2	RRATE1	RRATE0
0	0	1	0	0	0	0	0

Default = 20h - 16 LRCK's per 1/8 dB

Function:

The limiter release rate is user-selectable. The rate is a function of sampling frequency, F_s , and the value in the Limiter Release Rate register. Rates are calculated using the function $RATE = 512/\{value\}$, where $\{value\}$ is the decimal value in the Limiter Release Rate register and RATE is in LRCK's per 1/8 dB of change.

Note: A value of zero in this register is not recommended, as it will induce erratic behavior of the limiter. Use the LIM_EN bit to disable the limiter function (see "Peak Signal Limiter Enable (LIM_EN)").

Binary Code	Decimal Value	LRCK's per 1/8 dB
00000001	1	512
00010100	20	25
00101000	40	12
00111100	60	8
01011010	90	5

Table 9. Example Limiter Release Rate Settings

4.8 Volume and Mixing Control (address 09h)

7	6	5	4	3	2	1	0
Reserved 0	Reserved 0	RMP_SP1 0	RMP_SP0 0	ATAPI3 1	ATAPI2 0	ATAPI1 0	ATAPI0 1

4.8.1 RAMP SPEED (RMP_SP)

Default = 01

- 00 - Ramp speed = approximately 0.1 seconds
- 01 - Ramp speed = approximately 0.2 seconds
- 10 - Ramp speed = approximately 0.3 seconds
- 11 - Ramp speed = approximately 0.65 seconds

Function:

This feature is used in Single Ended applications to reduce pops in the output caused by the DC-blocking capacitor. When in control port mode, the Ramp Speed sets the time for the PWM signal to linearly ramp up and down from the bias point (50% PWM duty cycle). Refer to Section 6.4.

4.8.2 ATAPI CHANNEL MIXING AND MUTING (ATAPI)

Default = 1001 - HP_A = L, HP_B = R (Stereo)

Function:

The CS44L10 implements the channel mixing functions of the ATAPI CD-ROM specification. Refer to Table 10 and Figure 5 for additional information.

Note: All mixing functions occur prior to the digital volume control.

ATAPI3	ATAPI2	ATAPI1	ATAPI0	HP_A	HP_B
0	0	0	0	MUTE	MUTE
0	0	0	1	MUTE	R
0	0	1	0	MUTE	L
0	0	1	1	MUTE	[(L+R)/2]
0	1	0	0	R	MUTE
0	1	0	1	R	R
0	1	1	0	R	L
0	1	1	1	R	[(L+R)/2]
1	0	0	0	L	MUTE
1	0	0	1	L	R
1	0	1	0	L	L
1	0	1	1	L	[(L+R)/2]
1	1	0	0	[(L+R)/2]	MUTE
1	1	0	1	[(L+R)/2]	R
1	1	1	0	[(L+R)/2]	L
1	1	1	1	[(L+R)/2]	[(L+R)/2]

Table 10. ATAPI Decode

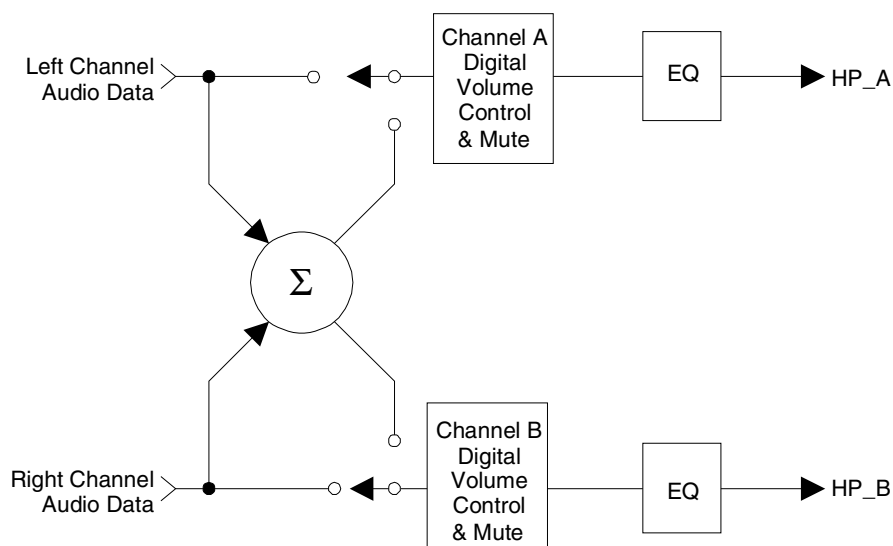


Figure 5. Dynamics Control Block Diagram

4.9 Mode Control 2 (address 0Ah)

7	6	5	4	3	2	1	0
MCLKDIV	CLKDV1	CLKDV0	DBS	FRQSFT1	FRQSFT0	DEM1	DEM0
0	0	0	0	0	0	0	0

4.9.1 MASTER CLOCK DIVIDE ENABLE (MCLKDIV)

Default = 0

Function:

The MCLKDIV bit enables a circuit which divides the externally applied MCLK signal by 2 prior to all other internal circuitry. MCLKDIV, DBS, CLKDIV and FRQSFT are set per the user's MCLK and LRCK requirements. Refer to Tables 11, 12, 13, 14, and Section 6.2.

4.9.2 CLOCK DIVIDE (CLKDIV)

Default = 00

Function:

MCLKDIV, DBS, CLKDIV and FRQSFT are set per the user's MCLK and LRCK requirements. Refer to Tables 11, 12, 13, 14, and Section 6.2.

4.9.3 DOUBLE SPEED MODE (DBS)

Default = 0

0 - Single Speed

1 - Double Speed (DBS)

Function:

Single Speed supports 8kHz to 50 kHz sample rates and Double Speed supports 50 kHz to 96kHz sample rates. MCLKDIV, DBS, CLKDIV and FRQSFT are set per the user's MCLK and LRCK requirements. Refer to Tables 11, 12, 13, 14, and Section 6.2.

Note: De-emphasis, ramp control, and treble control are not available in Double Speed Mode.

4.9.4 FREQUENCY SHIFT (FRQSFT)

Default = 00

Function:

MCLKDIV, DBS, CLKDIV and FRQSFT are set per the user's MCLK and LRCK requirements. Refer to Tables 11, 12, 13, 14, and Section 6.2.

LRCK (kHz)	DBS = 0 MCLKDIV = 0		DBS = 0 MCLKDIV = 1		FRQSFT1	FRQSFT0	CLKDIV1	CLKDIV0	PWM Switching Freq. (kHz)
	MCLK/LRCK	MCLK (MHz)	MCLK/LRCK	MCLK (MHz)					
48	256	12.288	512	24.576	0	0	0	0	384
48	384	18.432	768	36.864	0	0	0	1	
48	512	24.576	1024	49.152	0	0	1	0	
44.1	256	11.2896	512	22.5792	0	0	0	0	352.8
44.1	384	16.9344	768	33.8688	0	0	0	1	
44.1	512	22.5792	1024	45.1584	0	0	1	0	
32	512	16.384	1024	32.768	0	1	0	0	512
32	768	24.576	1536	49.152	0	1	0	1	
32	1024	32.768	2048	65.536	0	1	1	0	
24	512	12.288	1024	24.576	0	1	0	0	384
24	768	18.432	1536	36.864	0	1	0	1	
24	1024	24.576	2048	49.152	0	1	1	0	
12	1024	12.288	2048	24.576	1	0	0	0	384
12	1536	18.432	3072	36.864	1	0	0	1	
12	2048	24.576	4096	49.152	1	0	1	0	
8	1536	12.288	3072	24.576	1	1	0	0	384
8	2304	18.432	4608	36.864	1	1	0	1	
8	3072	24.576	6144	49.152	1	1	1	0	

Table 11. Single Speed Clock Modes - Control Port Mode

LRCK (kHz)	MCLK/LRCK	MCLK (MHz)	PWM Switching Freq. (kHz)
48	256	12.288	384
48	384	18.432	
48	512	24.576	
44.1	256	11.2896	352.8
44.1	384	16.9344	
44.1	512	22.5792	
32	1024	32.768	512
24	1024	24.576	384
12	2048	24.576	
8	1536	12.288	
8	2304	18.432	
8	3072	24.576	

Table 12. Single Speed Clock Modes - Stand-Alone Mode

LRCK (kHz)	DBS = 1 MCLKDIV = 0		DBS = 1 MCLKDIV = 1		FRQSFT1	FRQSFT0	CLKDIV1	CLKDIV0	PWM Switching Freq. (kHz)
	MCLK/LRCK	MCLK (MHz)	MCLK/LRCK	MCLK (MHz)					
96	128	12.288	256	24.576	0	0	0	0	384
96	192	18.432	384	36.864	0	0	0	1	
96	256	24.576	512	49.152	0	0	1	0	

Table 13. Double Speed Clock Modes - Control Port Mode

LRCK (kHz)	MCLK/LRCK	MCLK (MHz)	PWM Switching Freq. (kHz)
96	128	12.288	384
96	192	18.432	

Table 14. Double Speed Clock Modes - Stand-Alone Mode

4.9.5 DE-EMPHASIS CONTROL (DEM)

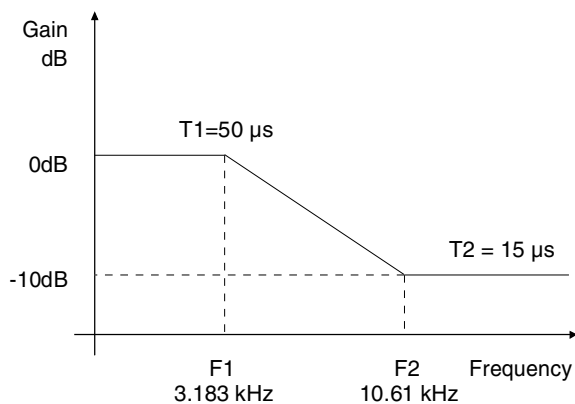
Default = 00

- 00 - Disabled
- 01 - 44.1 kHz
- 10 - 48 kHz
- 11 - 32 kHz

Function:

Selects the appropriate digital filter to maintain the standard 15 μ s/50 μ s digital de-emphasis filter response at 32, 44.1 or 48 kHz sample rates (see Figure 6).

Note: De-emphasis is not available in double speed mode.


Figure 6. De-Emphasis Curve
4.10 Mode Control 3 (address 0Bh)

7	6	5	4	3	2	1	0
DIF1	DIF0	A=B	VCBYP	CP_EN	FREEZE	HPSEN	Reserved
0	0	0	0	0	0	0	0

4.10.1 DIGITAL INTERFACE FORMATS (DIF)

Default = 00

00 - I²S

01 - Right Justified, 16 bit

10 - Left Justified

11 - Right Justified, 24 bit

Function:

The required relationship between the Left/Right clock, serial clock and serial data is defined by the Digital Interface Format and the options are detailed in figures 16 through 19.

4.10.2 CHANNEL A VOLUME = CHANNEL B VOLUME (A=B)

Default = 0

0 - Disabled

1 - Enabled

Function:

The HP_A and HP_B volume levels are independently controlled by the A and the B Channel Volume Control Bytes when this function is disabled. The volume on both HP_A and HP_B are determined by the A Channel Volume Control Byte and the B Channel Byte is ignored when this function is enabled.

4.10.3 VOLUME CONTROL BYPASS (VCBYP)*Default = 0*

0 - Disabled

1 - Enabled

Function:

The digital volume control section is bypassed when this function is enabled. This disables the digital volume control, muting, bass boost, treble boost, limiting, and ATAPI functions.

4.10.4 CONTROL PORT ENABLE (CP_EN)*Default = 0*

0 - Disabled

1 - Enabled

Function:

This bit defaults to 0, allowing the device to power-up in Stand-Alone mode. The Control port mode can be accessed by setting this bit to 1. This will allow the operation of the device to be controlled by the registers and the pin definitions will conform to Control Port Mode. Refer to Section 6.5.2.

4.10.5 FREEZE (FREEZE)*Default = 0*

0 - Disabled

1 - Enabled

Function:

This function allows modifications to be made to the registers without the changes being taking effect until the FREEZE is disabled. To make multiple changes in the Control port registers take effect simultaneously, you will first enable the FREEZE Bit, then make all register changes, then Disable the FREEZE bit.

4.11 Revision Indicator (address 0Ch)[Read Only]

7	6	5	4	3	2	1	0
Reserved	Reserved	Reserved	Reserved	REV3	REV2	REV1	REV0
0	0	0	0	0	0	0	0

Default = none

0000 - Revision A

0001 - Revision B

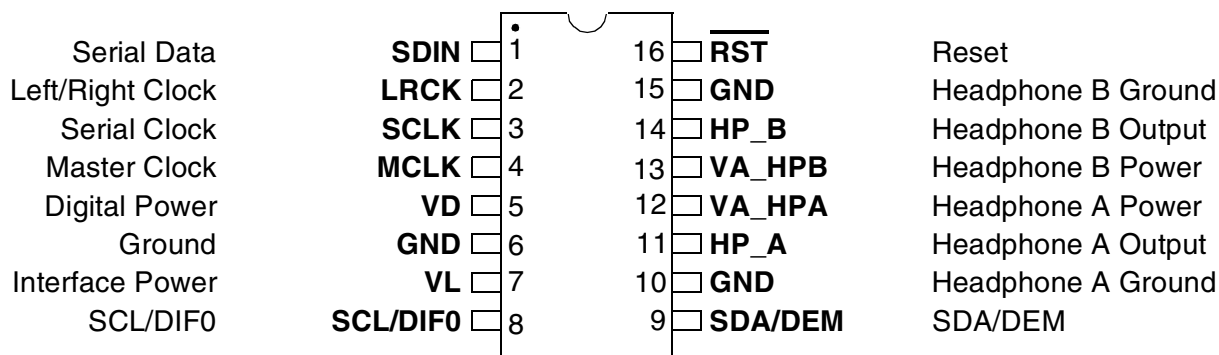
0010 - Revision C

etc.

Function:

This read-only register indicates the revision level of the device.

5. PIN DESCRIPTION



SDIN	1	Serial Audio Data Input (Input) - Input for two's complement serial audio data.
LRCK	2	Left Right Clock (Input) - Determines which channel, Left or Right, is currently active on the serial audio data line. The frequency of the left/right clock must be at the audio sample rate, Fs.
SCLK	3	Serial Clock (Input) - Serial clock for the serial audio interface.
MCLK	4	Master Clock (Input) - Clock source for the PWM modulator and digital filters. Table 11, 12, 13 and 14 illustrate several standard audio sample rates and required master clock frequencies.
VD	5	Digital Power (Input) - Positive power supply for the digital section. Refer to "Recommended Operating Conditions" for appropriate voltages.
GND	6, 10 & 15	Ground (Input) - Ground Reference.
VL	7	Logic Power (Input) - Determines the required signal level for the digital input/output. Refer to "Recommended Operating Conditions" for appropriate voltages.
HP_A HP_B	11 14	Headphone Outputs (Output) - PWM Headphone Outputs. An external LC filter should be added to suppress high frequency switching noise. A DC blocking capacitor is also required. Refer to Typical Connection Diagrams.
VA_HPA VA_HP B	12 13	Headphone Amplifier Power (Input) - Positive power supply for the headphone amplifier. Refer to "Recommended Operating Conditions" for appropriate voltages.
RST	16	Reset (Input) - The device enters a low power mode and all internal registers are reset to their default settings when low. The control port cannot be accessed when Reset is low. See Section 6.5

Control Port Definitions

SCL	8	Serial Control Port Clock (Input) - Serial clock for the serial control port. Requires an external pull-up resistor to VL in Two-Wire mode.
SDA	9	Serial Control Data (Input/Output) - SDA is a data I/O line in Two-Wire mode and requires an external pull-up resistor to the logic interface voltage.

Stand Alone Definitions

DIF0	8	Digital Interface Format (Input) - The required relationship between the Left/Right clock, serial clock and serial data is defined by the Digital Interface Format and the options are detailed below
------	---	--

DIF0	DESCRIPTION	FIGURE
0	I ² S, up to 24-bit data	18
1	Right Justified, 16-bit Data	19

Table 15. Digital Interface Format (Stand-Alone Mode)

DEM	9	De-emphasis Control (Input) - Selects the standard 15 μs/50 μs digital de-emphasis filter response at 44.1 kHz sample rates. NOTE: De-emphasis is not available in Double or Quad Speed Modes. When DEM is grounded, de-emphasis is disabled.
-----	---	--

6. APPLICATIONS

6.1 Grounding and Power Supply Decoupling

As with any switching converter, the CS44L10 requires careful attention to power supply and grounding arrangements to optimize performance. Figures 3 and 4 show the recommended power arrangement with VD, VA_HP_x, and VL connected to clean supplies. Decoupling capacitors should be located as close to the device package as possible. If desired, all supply pins may be connected to the same supply, but a decoupling capacitor should still be used on each supply pin.

6.2 Clock Modes

One of the characteristics of a PWM amplifier is that the frequency content of out-of-band noise generated by the modulator is dependent on the PWM switching frequency. The systems designer will specify the external filter based on this switching frequency. The obvious implementation in a digital PWM system is to directly lock the PWM switching rate to the incoming data sample rate. However, this would require a tuneable filter to attenuate the switching frequency across the range of possible sample rates. To simplify the external filter design and to accommodate sample rates ranging from 8 kHz to 96 kHz the CS44L10 Controller uses several clock modes that keep the PWM switching frequency in a small range.

In control port mode, for operation at a particular sample rate the user selects register settings (refer to Section 4.9 and Tables 11 and 13) based on their MCLK and MCLK/LRCK parameters. When us-

ing Stand-Alone mode, refer to Tables 12 and 14 for available clock modes.

6.3 De-Emphasis

The CS44L10 includes on-chip digital de-emphasis. Figure 6 shows the de-emphasis curve. The frequency response of the de-emphasis curve will scale proportionally with changes in sample rate, F_s .

The de-emphasis feature is included to accommodate older audio recordings that utilize pre-emphasis equalization as a means of noise reduction.

6.4 PWM PopGuard Transient Control

The CS44L10 uses PopGuard[®] technology to minimize the effects of output transients during power-up and power-down. This technique minimizes the audio transients commonly produced by single-ended, single-supply converters when it is implemented with external DC-blocking capacitors connected in series with the audio outputs.

When the device is initially powered-up, the HP_x outputs are clamped to GND. Following a delay each output begins to increase the PWM duty cycle toward the quiescent voltage point. By a speed set by the RMP_SP bit, the HP_x outputs will later reach the bias point (50% PWM duty cycle), and audio output begins. This gradual voltage ramping allows time for the external DC-blocking capacitor to charge to the quiescent voltage, minimizing the power-up transient.

To prevent transients at power-down, the device must first enter its power-down state. When this occurs, audio output ceases and the PWM duty cycle

is decreased until the HP_x outputs reach GND. The time required to reach GND is determined by the RMP_SP bits. This allows the DC-blocking capacitors to slowly discharge. Once this charge is dissipated, the power to the device may be turned off, and the system is ready for the next power-on.

To prevent an audio transient at the next power-on, the DC-blocking capacitors must fully discharge before turning off the power or exiting the power-down state. If full discharge does not occur, a transient will occur when the audio outputs are initially clamped to GND. The time that the device must remain in the power-down state is related to the value of the DC-blocking capacitance and the output load. For example, with a 220 μ F capacitor and a 16 ohm load on the headphone outputs, the minimum power-down time will be approximately 0.4 seconds.

Note that ramp up and ramp down period can be set to zero with the RUPBYP and RDNBYP bits respectively.

6.5 Recommended Power-up Sequence

6.5.1 Stand Alone Mode

1. Hold $\overline{\text{RST}}$ low until the power supply, master, and left/right clocks are stable. In this state, the control port is reset to its default settings and the HP_x lines will remain low.

2. Bring $\overline{\text{RST}}$ high. The device will remain in a low power state and will initiate the Stand-Alone power-up sequence. The control port will be accessible at this time.

6.5.2 Control Port Mode

1. Hold $\overline{\text{RST}}$ low until the power supply, master, and left/right clocks are stable. In this state, the control port is reset to its default settings and the HP_x lines will remain low.

2. Bring $\overline{\text{RST}}$ high. The device will remain in a low power state and will initiate the Stand-Alone power-up sequence. The control port will be accessible at this time.

3. On the CS44L10 the control port pins are shared with stand-alone configuration pins. To enable the control port, the user must set the CP_EN bit. This is done by performing a Two-Wire or SPI write. Once the control port is enabled, these pins are dedicated to control port functionality.

To prevent audible artifacts the CP_EN bit (see Section 4.10.4) should be set prior to the completion of the Stand-Alone power-up sequence, approximately 21mS. Writing this bit will halt the Stand-Alone power-up sequence and initialize the control port to its default settings. Note, the CP_EN bit can be set any time after $\overline{\text{RST}}$ goes high; however, setting this bit after the Stand-Alone power-up sequence has completed can cause audible artifacts.

7. CONTROL PORT INTERFACE

The control port is used to load all the internal settings. The operation of the control port may be completely asynchronous with the audio sample rate. However, to avoid potential interference problems, the control port pins should remain static if no operation is required.

The CS44L10 has MAP auto increment capability, enabled by the INCR bit in the MAP register, which is the MSB. If INCR is 0, then the MAP will stay constant for successive writes. If INCR is set to 1, then MAP will auto increment after each byte is written, allowing block reads or writes of successive registers.

7.1 Two-Wire Format

SDA is a bidirectional data line. Data is clocked into and out of the part by the clock, SCL, with a clock to data relationship as shown in Figure 7. The receiving device should send an acknowledge (ACK) after each byte received. Pins AD0 and AD1 forms the partial chip address and should be tied to VL or GND as required. The upper 6 bits of the 7- bit address field must be 001000.

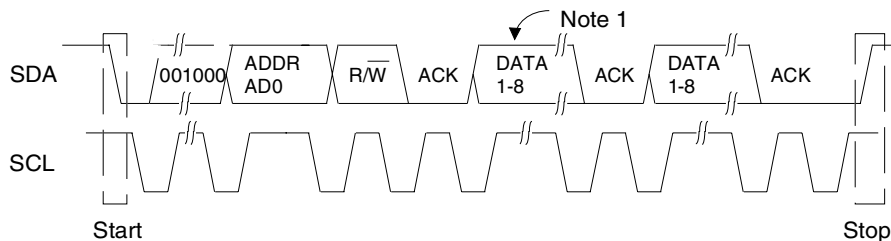
Note: MCLK is required during all two-wire transactions. The Two-Wire format is compatible with the I²C protocol.

7.1.1 Writing in Two-Wire Format

To communicate with the CS44L10, initiate a START condition of the bus. Next, send the chip address. The eighth bit of the address byte is the R/W bit (low for a write). The next byte is the Memory Address Pointer, MAP, which selects the register to be read or written. The MAP is then followed by the data to be written. To write multiple registers, continue providing a clock and data, waiting for the CS44L10 to acknowledge between each byte. To end the transaction, send a STOP condition.

7.1.2 Reading in Two-Wire Format

To communicate with the CS44L10, initiate a START condition of the bus. Next, send the chip address. The eighth bit of the address byte is the R/W bit (high for a read). The contents of the register pointed to by the MAP will be output after the chip address. To read multiple registers, continue providing a clock and issue an ACK after each byte. To end the transaction, send a STOP condition.



Note: If operation is a write, this byte contains the Memory Address Pointer, MAP.

Figure 7. Control Port Timing, Two-Wire Format

7.2 Memory Address Pointer (MAP)

7	6	5	4	3	2	1	0
INCR	Reserved	Reserved	Reserved	MAP3	MAP2	MAP1	MAP0
0	0	0	0	0	0	0	0

7.2.1 INCR (Auto Map Increment Enable)

Default = '0'

0 - Disabled

1 - Enabled

7.2.2 MAP3-0 (Memory Address Pointer)

Default = '0000'

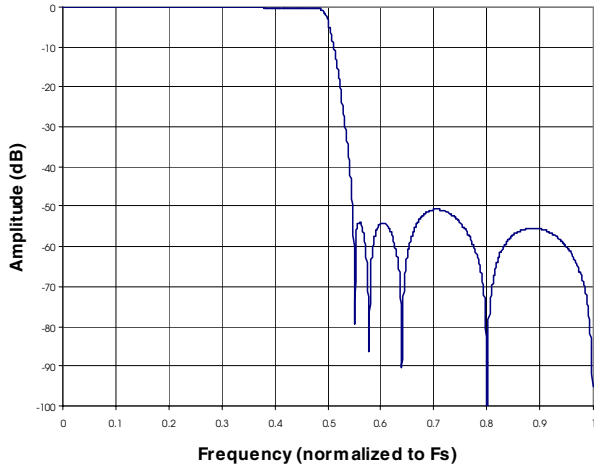


Figure 8. Single Speed Stopband Rejection

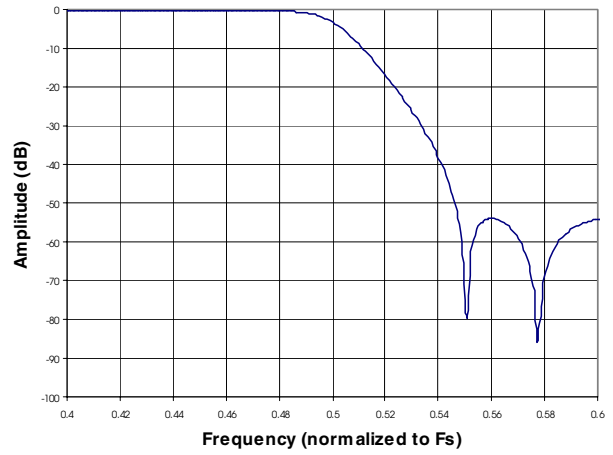


Figure 9. Single Speed Transition Band

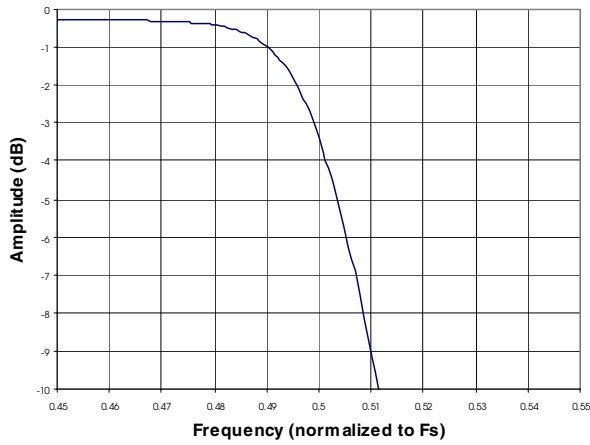


Figure 10. Single Speed Transition Band (Detail)

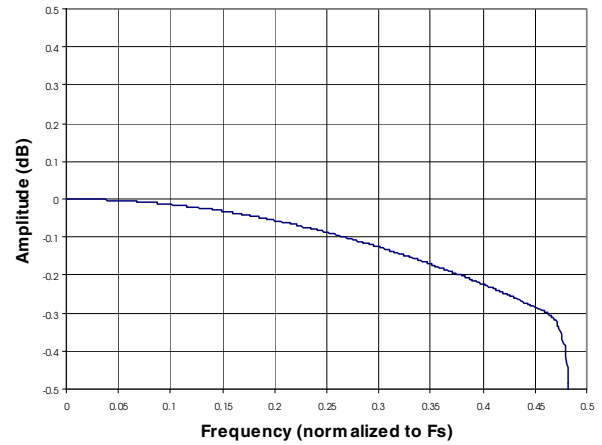


Figure 11. Single Speed Passband Ripple

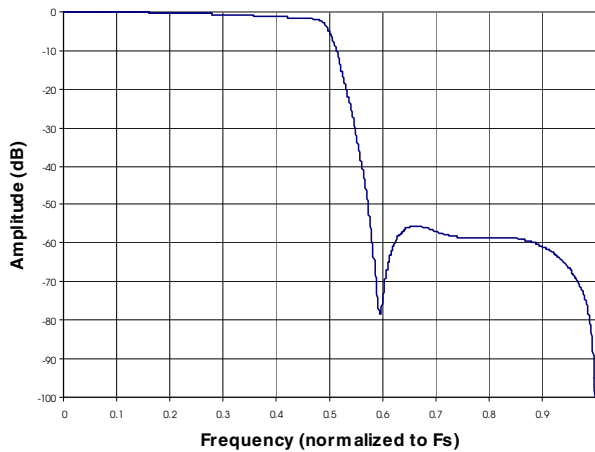


Figure 12. Double Speed Stopband Rejection

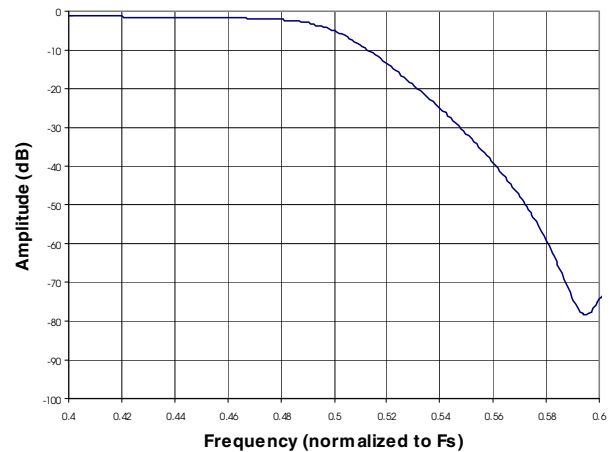


Figure 13. Double Speed Transition Band

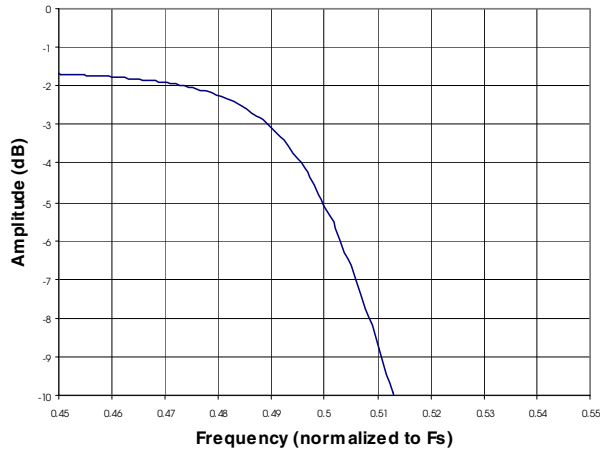


Figure 14. Double Speed Transition Band (Detail)

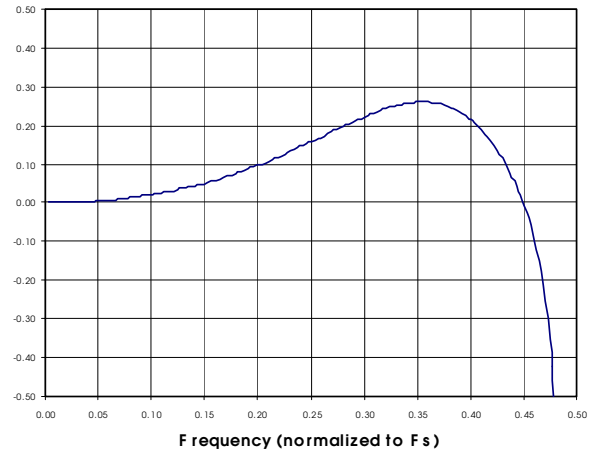


Figure 15. Double Speed Passband Ripple

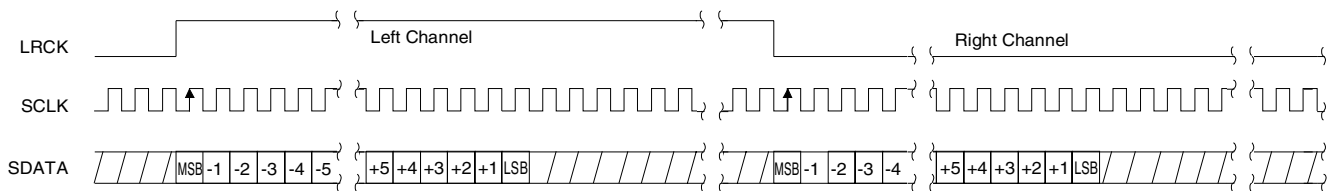


Figure 16. Left Justified, up to 24-Bit Data

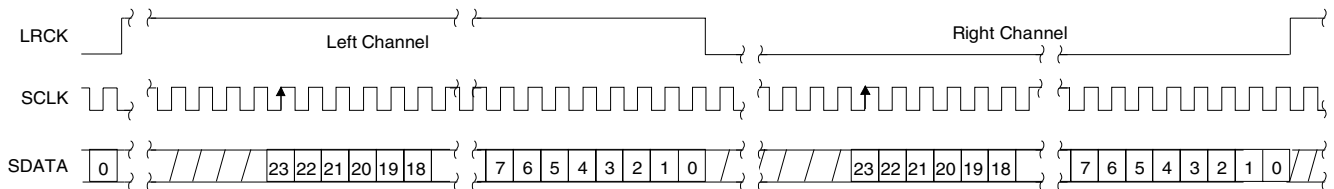


Figure 17. Right Justified, 24-Bit Data

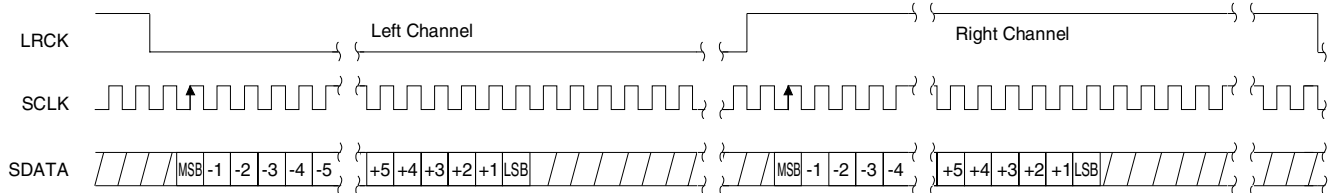


Figure 18. I²S, Up to 24-Bit Data

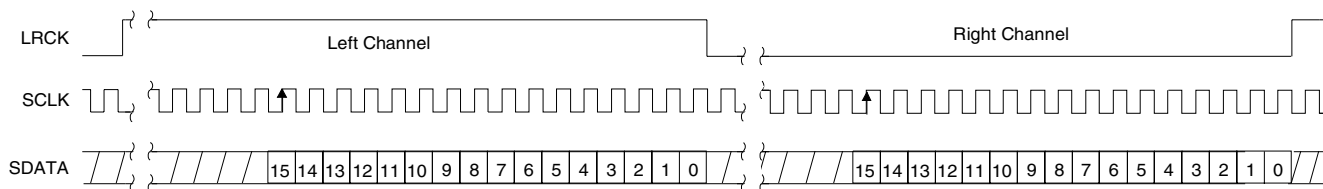


Figure 19. Right Justified, 16-Bit Data

8. PARAMETER DEFINITIONS

Total Harmonic Distortion + Noise (THD+N)

The ratio of the rms value of the signal to the rms sum of all other spectral components over the specified bandwidth (typically 10 Hz to 20 kHz), including distortion components. Expressed in decibels.

Dynamic Range

The ratio of the full scale rms value of the signal to the rms sum of all other spectral components over the specified bandwidth. Dynamic range is a signal-to-noise measurement over the specified bandwidth made with a -60 dBFS signal. 60 dB is then added to the resulting measurement to refer the measurement to full scale. This technique ensures that the distortion components are below the noise level and do not effect the measurement. This measurement technique has been accepted by the Audio Engineering Society, AES17-1991, and the Electronic Industries Association of Japan, EIAJ CP-307.

Interchannel Isolation

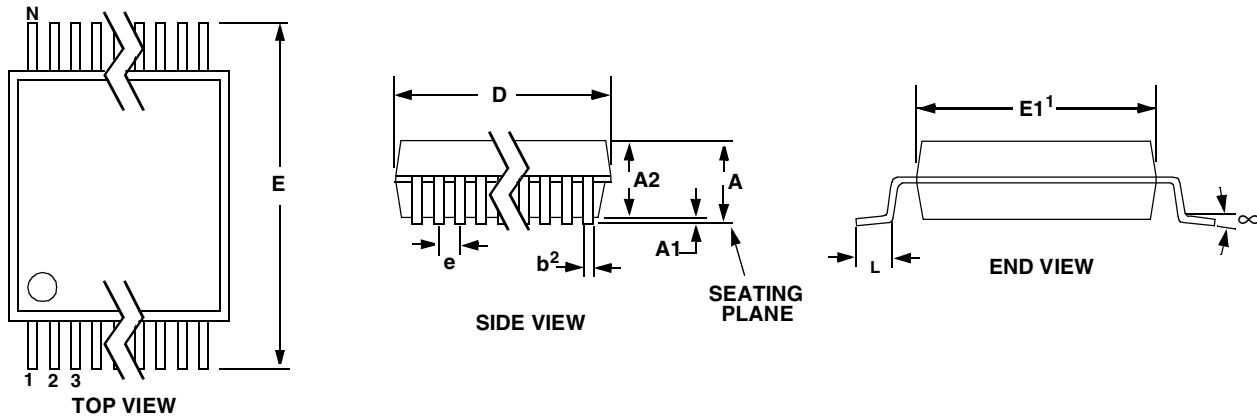
A measure of crosstalk between the left and right channels. Measured for each channel at the converter's output with all zeros to the input under test and a full-scale signal applied to the other channel. Units in decibels.

Interchannel Gain Mismatch

The gain difference between left and right channels. Units in decibels.

9.0 REFERENCES

- 1) "The I²C-Bus Specification: Version 2.0" Philips Semiconductors, December 1998.
<http://www.semiconductors.philips.com>

10. PACKAGE DIMENSIONS
16L TSSOP (4.4 mm BODY) PACKAGE DRAWING


DIM	INCHES			MILLIMETERS			NOTE
	MIN	NOM	MAX	MIN	NOM	MAX	
A	--	--	0.043	--	--	1.10	
A1	0.002	0.004	0.006	0.05	--	0.15	
A2	0.03346	0.0354	0.037	0.85	0.90	0.95	
b	0.00748	0.0096	0.012	0.19	0.245	0.30	2,3
D	0.193	0.1969	0.201	4.90	5.00	5.10	1
E	0.248	0.2519	0.256	6.30	6.40	6.50	
E1	0.169	0.1732	0.177	4.30	4.40	4.50	1
e	--	0.026 BSC	--	--	0.065 BSC	--	
L	0.020	0.024	0.028	0.50	0.60	0.70	
∞	0°	4°	8°	0°	4°	8°	

JEDEC #: MO-153

Controlling Dimension is Millimeters

- Notes:
1. "D" and "E1" are reference datums and do not include mold flash or protrusions, but do include mold mismatch and are measured at the parting line, mold flash or protrusions shall not exceed 0.20 mm per side.
 2. Dimension "b" does not include dambar protrusion/intrusion. Allowable dambar protrusion shall be 0.13 mm total in excess of "b" dimension at maximum material condition. Dambar intrusion shall not reduce dimension "b" by more than 0.07 mm at least material condition.
 3. These dimensions apply to the flat section of the lead between 0.10 and 0.25 mm from lead tips.

SMART
Analog™