

# SHINDENGEN

## Super Fast Recovery Rectifiers

Single

# D10L20U

## 200V 10A

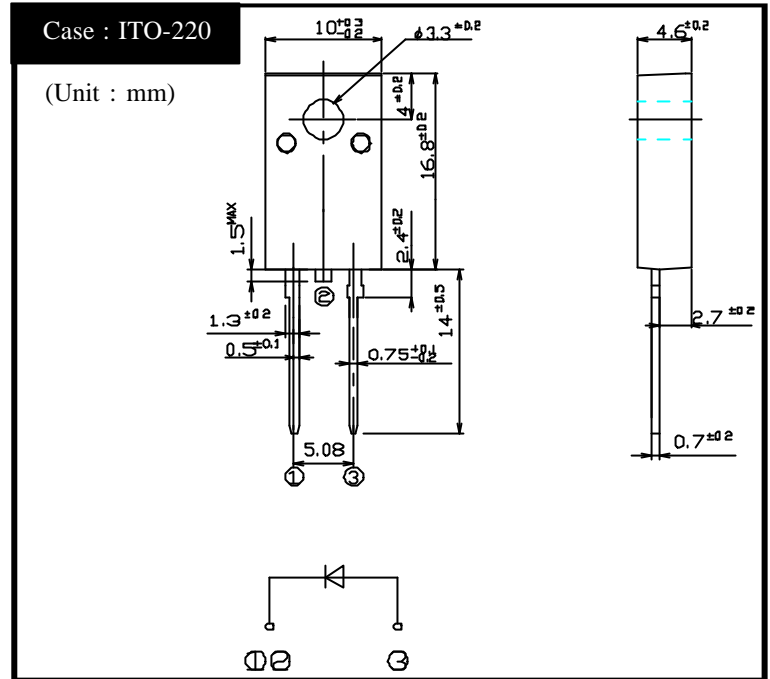
### FEATURES

- Low noise
- trr35ns
- Fully Isolated Molding

### APPLICATION

- Switching power supply
- Free Wheel
- Home Appliances, Office Equipment
- Telecommunication, Factory Automation

### OUTLINE DIMENSIONS



### RATINGS

Absolute Maximum Ratings (If not specified Tc=25 )

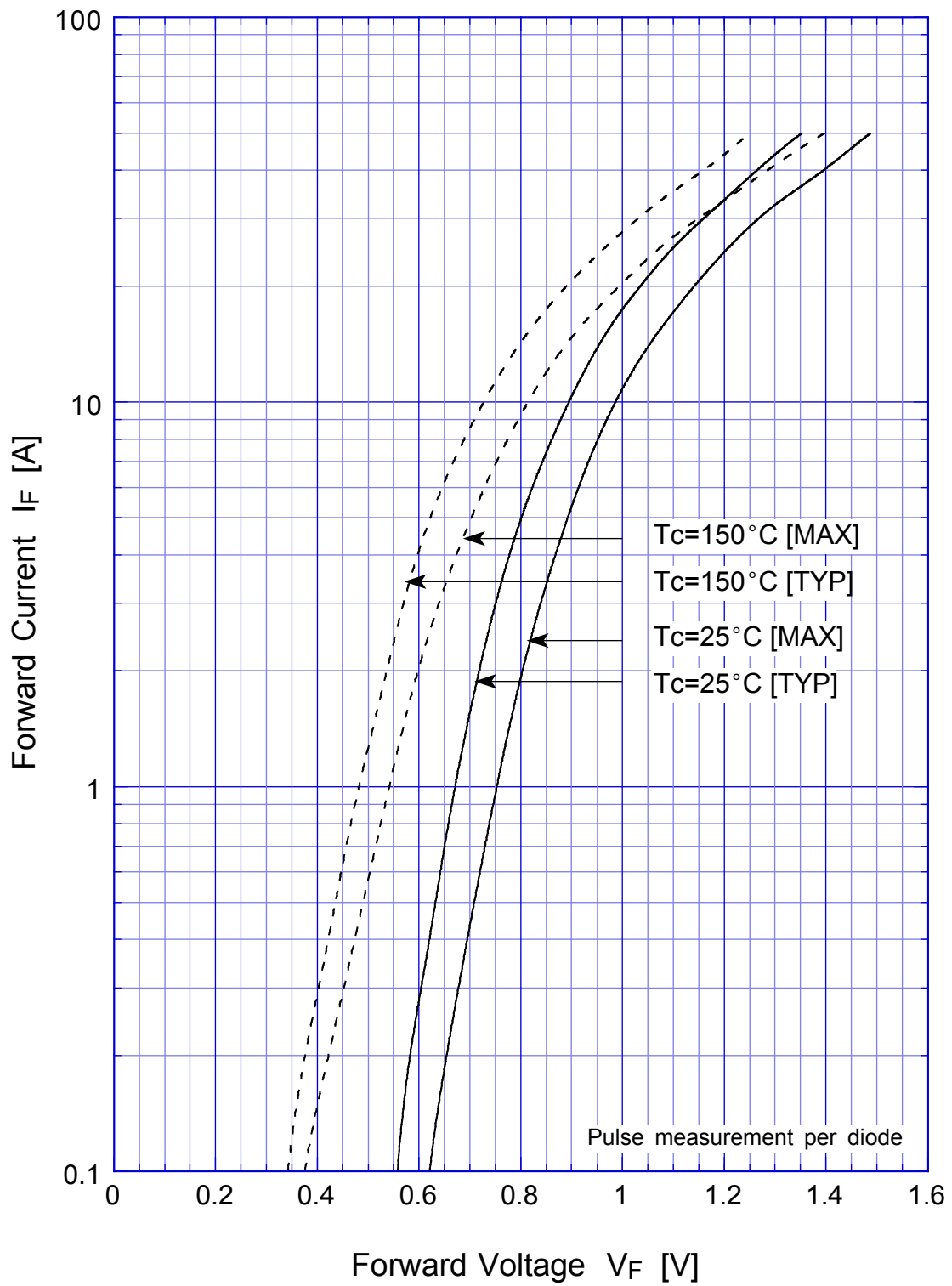
Item	Symbol	Conditions	Ratings	Unit
Storage Temperature	Tstg		-40 ~ 150	
Operating Junction Temperature	Tj		150	
Maximum Reverse Voltage	V <sub>RM</sub>		200	V
Average Rectified Forward Current	I <sub>o</sub>	50Hz sine wave, R-load, Tc=111	10	A
Peak Surge Forward Current	I <sub>FSM</sub>	50Hz sine wave, Non-repetitive 1 cycle peak value, Tj=25	120	A
Dielectric Strength	V <sub>dis</sub>	Terminals to case, AC 1 minute	1.5	kV
Mounting Torque	TOR	(Recommended torque 0.3N·m)	0.5	N·m

Electrical Characteristics (If not specified Tc=25 )

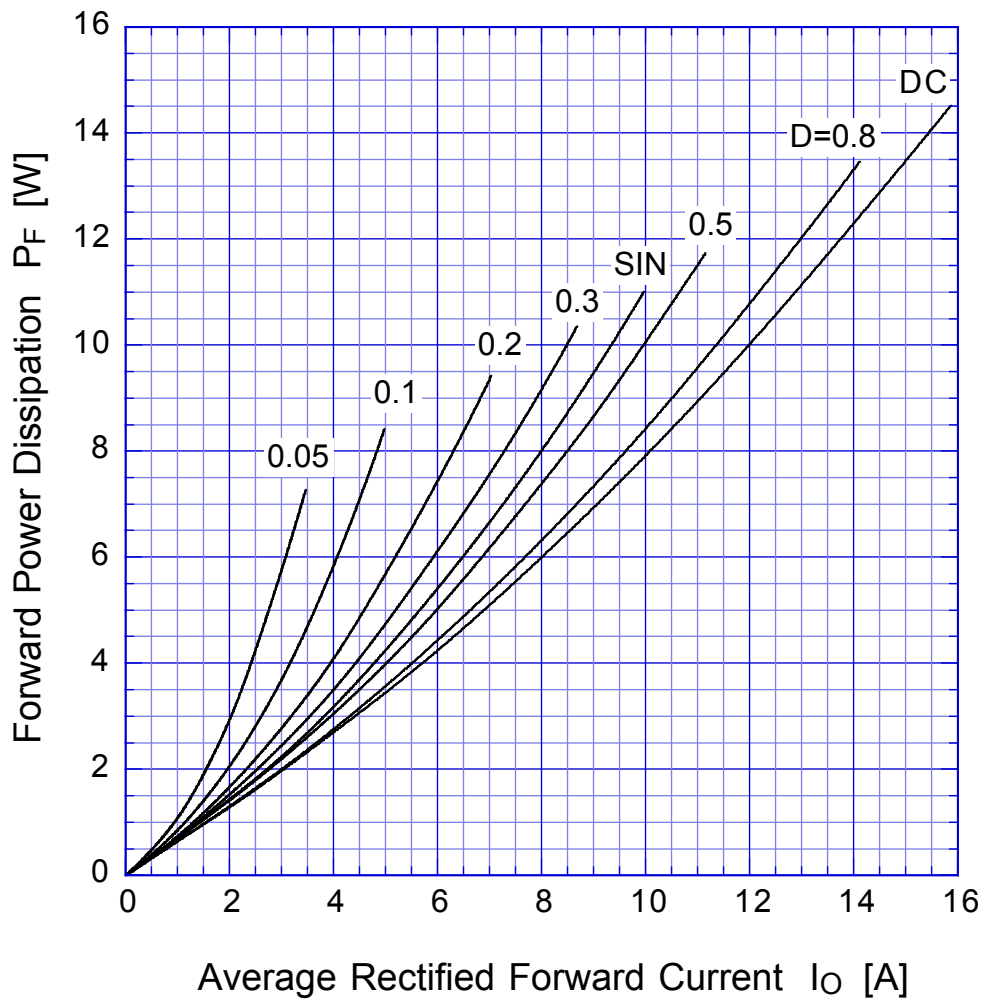
Item	Symbol	Conditions	Ratings	Unit
Forward Voltage	V <sub>F</sub>	I <sub>F</sub> =10A, Pulse measurement	Max.0.98	V
Reverse Current	I <sub>R</sub>	V <sub>R</sub> =200V, Pulse measurement	Max.10	μA
Reverse Recovery Time	t <sub>rr</sub>	I <sub>F</sub> =0.5A, I <sub>R</sub> =1A	Max.35	ns
Thermal Resistance	θ <sub>JC</sub>	junction to case	Max.3.5	/W

# D10L20U

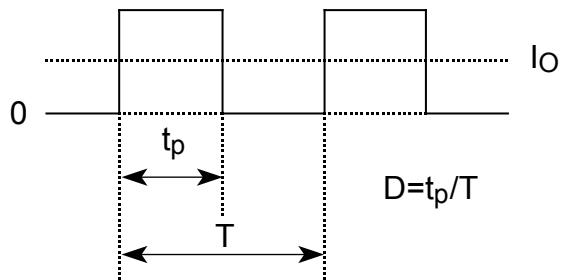
## Forward Voltage



# D10L20U Forward Power Dissipation

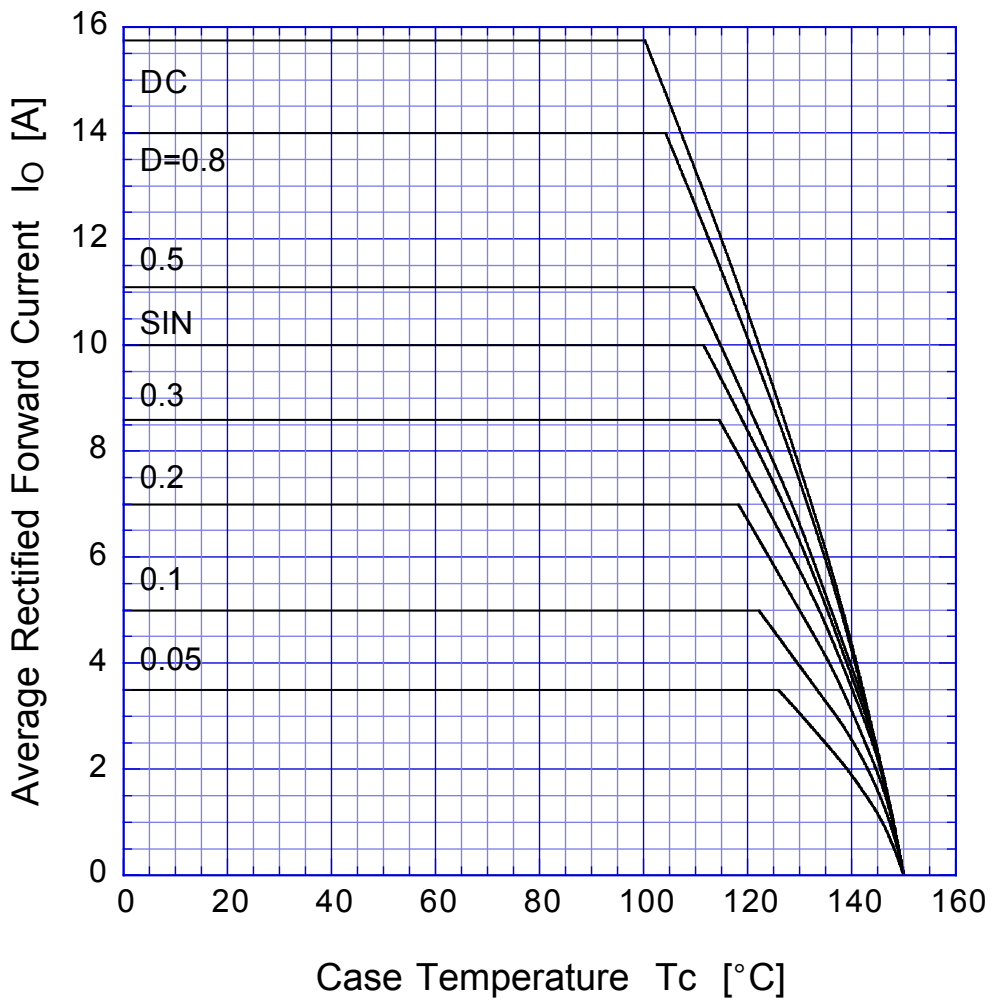


$T_j = T_{jmax}$

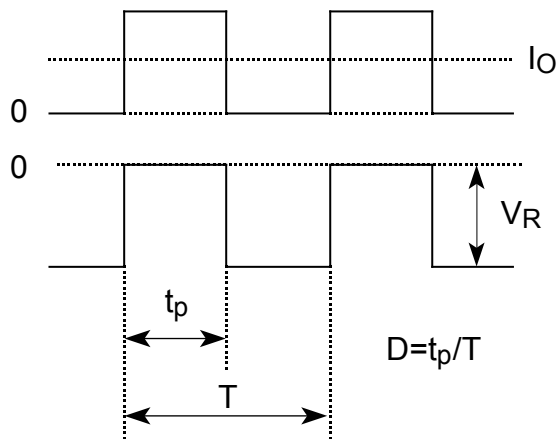


# D10L20U

# Derating Curve

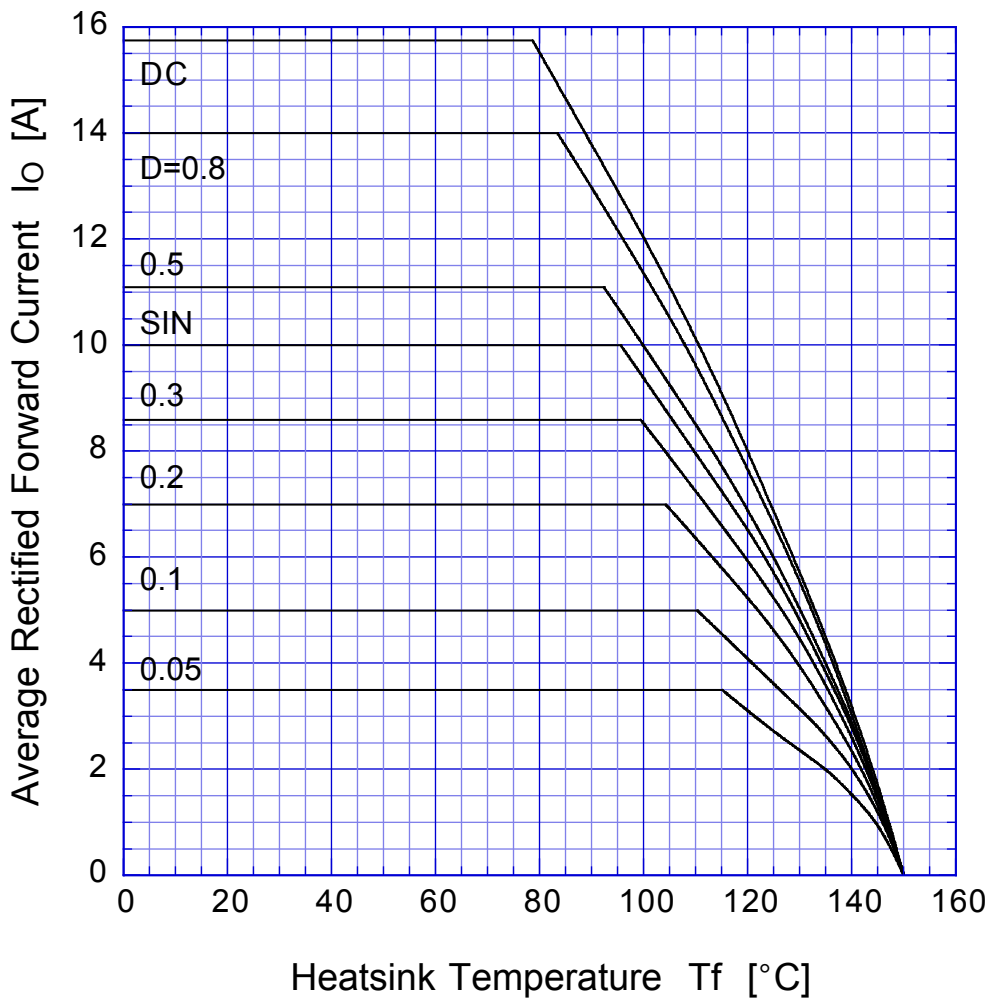


$$V_R = V_{RM}$$



# D10L20U

# Derating Curve

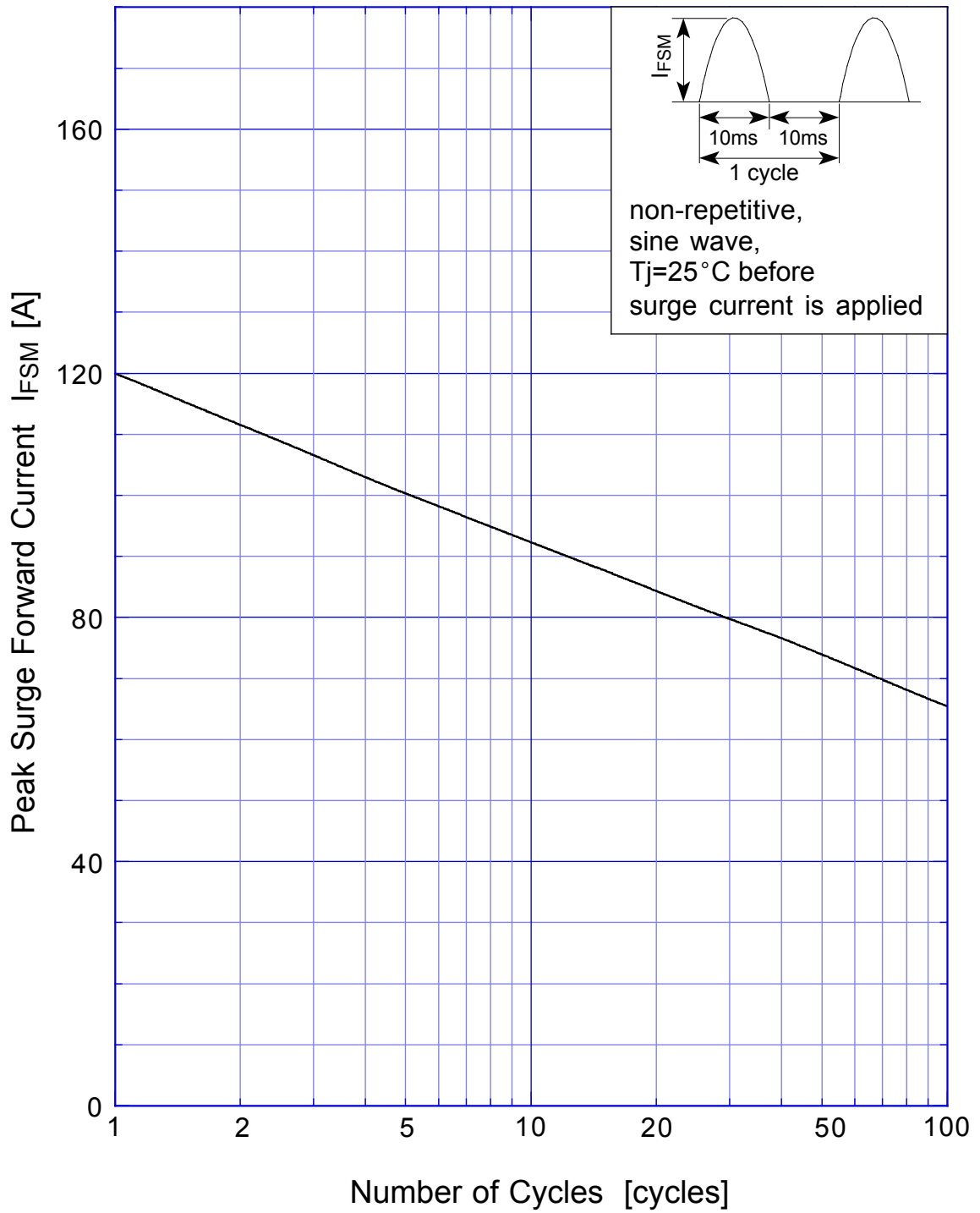


$$V_R = V_{RM}$$



# D10L20U

## Peak Surge Forward Capability



# D10L20U Junction Capacitance

