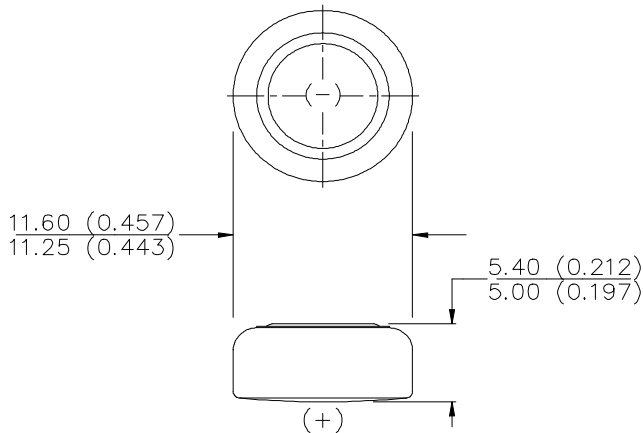


ENERGIZER NO. EPX76



Industry Standard Dimensions in mm (inches)

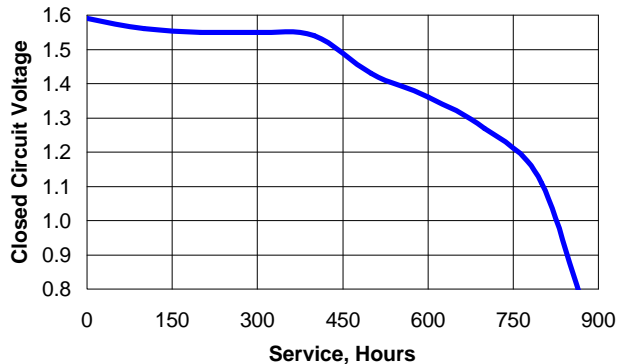


DESIGNED SPECIFICALLY FOR PHOTO USE

Chemical System: Silver Oxide (Zn/Ag₂O)

Designation: ANSI / NEDA-1107SOP, IEC-SR44
Battery Voltage: 1.55 Volts
Average Weight: 2.3 grams (0.08 oz.)
Volume: 0.57 cubic centimeters (0.035 cubic inch)
Average Capacity: 200 mAh to 0.9 volts
 (Rated at 6.5k ohms continuous at 21°C)

TYPICAL DISCHARGE CURVE
 Simulated Test @ 21°C (70°F)



Simulated Application Test
 Estimated Average Service at 21°C (70°F)

Schedule:	Typical Drains at 1.55V (milliamperes)	Load (ohms)	Cutoff Voltage
			0.9V
24 hours/day	0.238	6,500	840 Hours

INTERNAL RESISTANCE: Closed circuit voltage no less than 1.30 volts on a load of 100 ohms at 21°C (70°F) for 0.1 to 2.0 seconds.

Important Notice

This data sheet contains information specific to batteries manufactured at the time of its publication.

Contents herein do not constitute a warranty.

Copyright © Eveready Battery Co. Inc. - All Rights Reserved