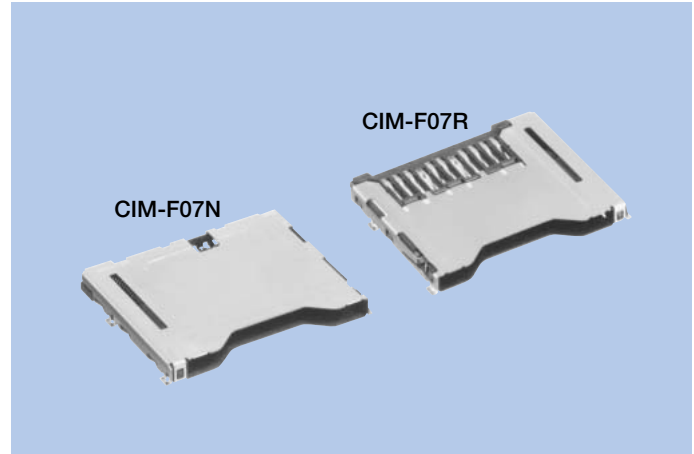


mini SD Card Connectors CIM-F07N, F07R

FEATURES

1. Thin, space-saving design for use in smaller mobile products.
2. Power supply and GND pin have double contact structure to ensure stable contact.
3. Card detection switch detects card insertion.
4. Half lock/release prevention mechanism prevents card drop-out and mistaken release.
5. EMI measure taken with all-in-one plate and wing.



HOW TO ORDER

F07N-011- 21 0 - A G G E
 1 2 3 4 5 6 7 8

- 1 Series No. (F07N : Normal type) (F07R : Reverse type)
- 2 No. of contacts (011 : 11pins)
- 3 Housing material (21 : LCP resin)
- 4 Housing UL grade (0 : UL94V-0)
- 5 Contact plating (A : Gold)
- 6 Contact plating thickness (G : 0.3μm)
- 7 Contact read style (G : Angle SMT)
- 8 Package (E : Taping)

SPECIFICATIONS

ELECTRICAL CHARACTERISTICS

Rated Voltage	AC 50V (rms)
Rated Current	0.5A
Withstanding Voltage	500V AC (rms) 1minute
Insulation Resistance	1000MΩ min. (at 500V DC)
Contact Resistance	100mΩ max.

MECHANICAL CHARACTERISTICS

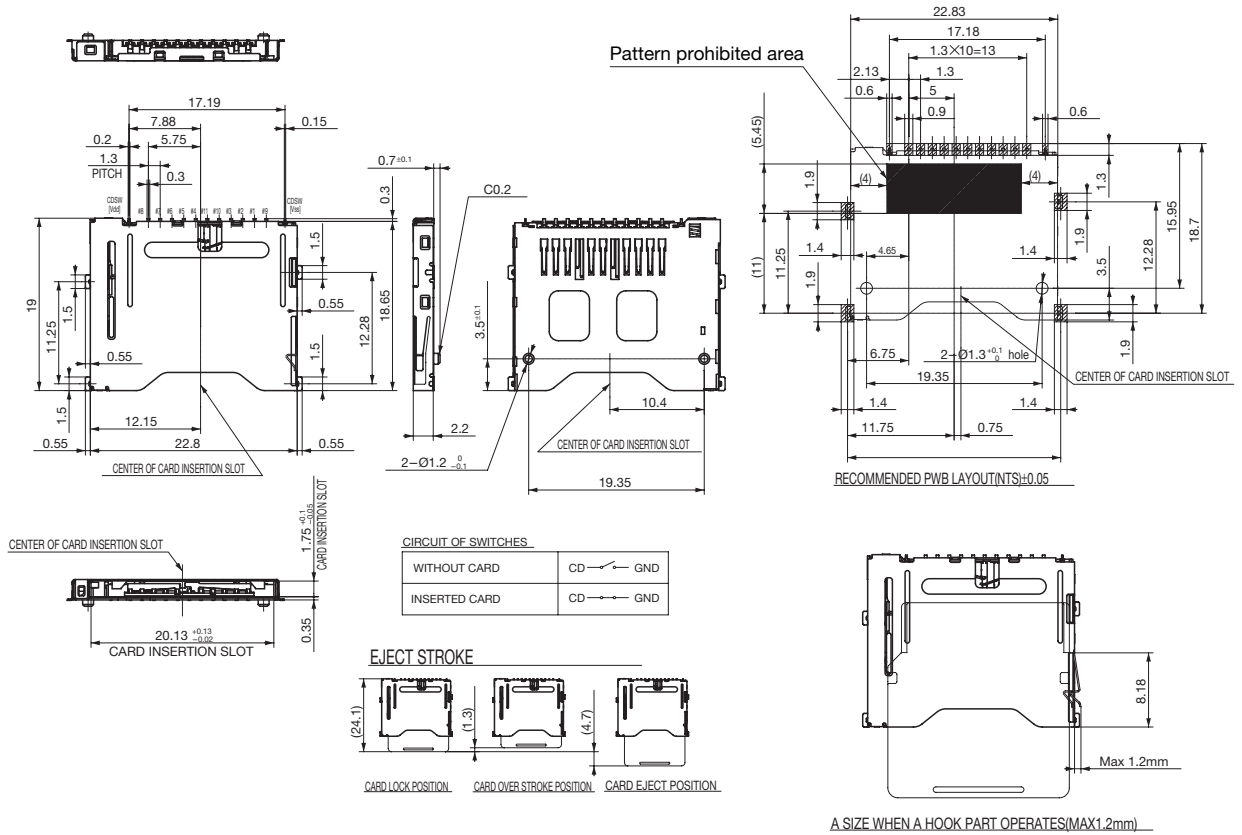
Life (Matching Cycle)	10,000times
Card Insertion Force	4.9N (0.5kgf) ~ 9.8N (1kgf)
Eject Force	4.9N (0.5kgf) ~ 9.8N (1kgf)
Using Temperature Range	-25~+85°C

MATERIAL & FINISH

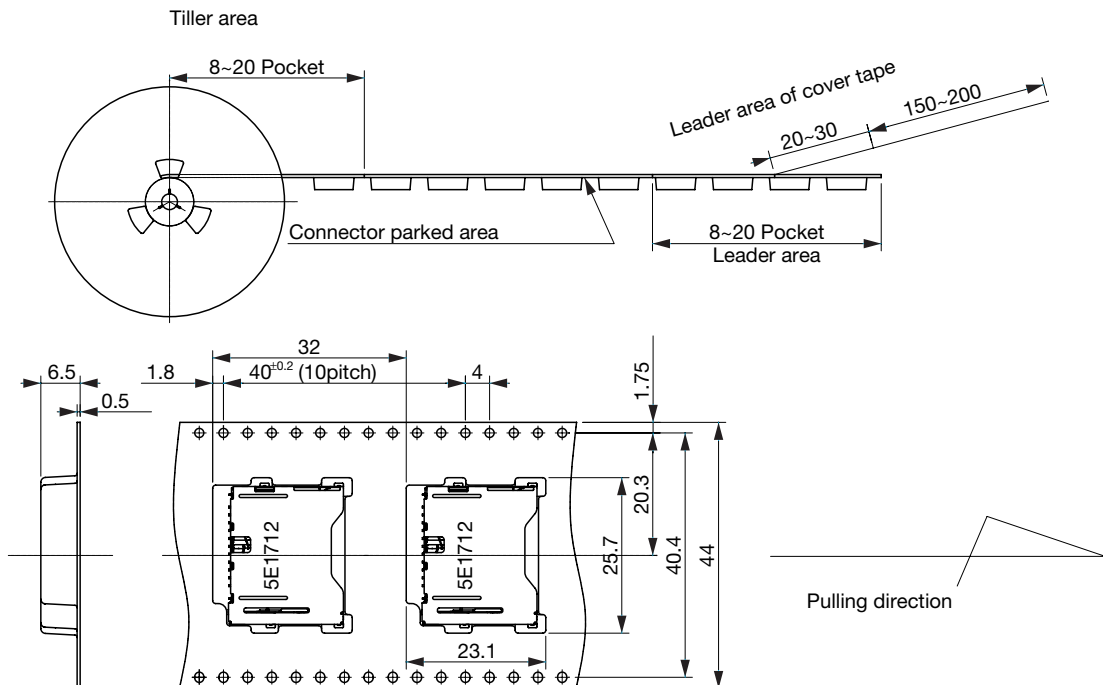
Component Parts	Material	Finish
Housing	LCP resin	(Black)
Contact	Copper Alloy	Gold plating
CD Switch Vdd	Copper Alloy	Gold plating
CD Switch Vss	Copper Alloy	Gold plating
Plate	Copper Alloy	Tin plating
Slider	PA9T resin	(Black)
Half Lock	SUS	-
Coil Spring	SUS	-
Lock Pin	SUS	-

DIMENSIONS

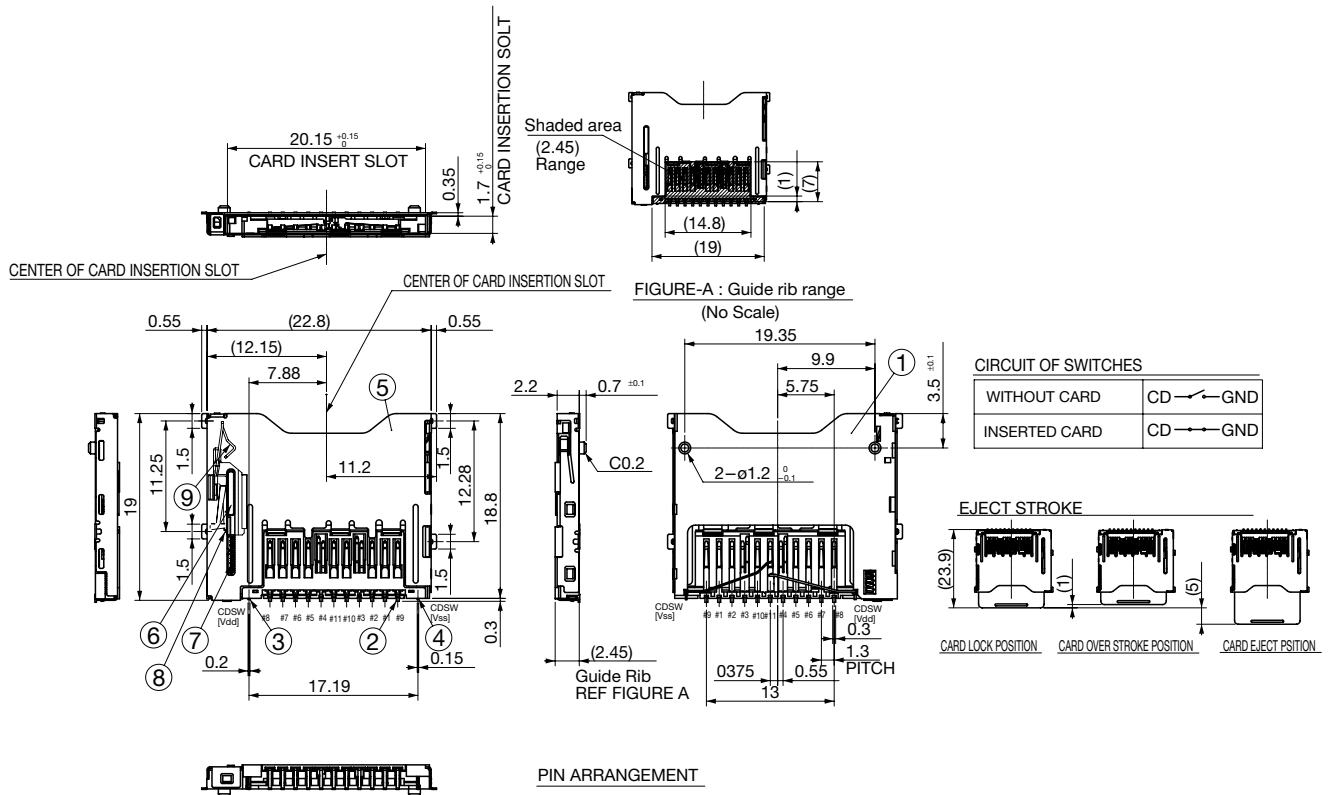
CIM-F07N



Packing specification



CIM-F07R



Packing specification

