

# IWPH01-02

## SI PIN PHOTODIODE

Visible to infrared range  
 Plastic package 7 mm x 7.8 mm  
 Active area size 2.8 mm x 2.8 mm

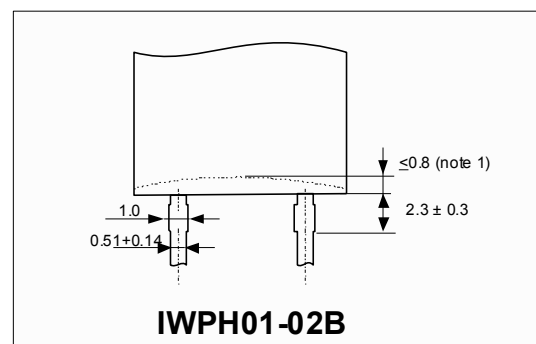
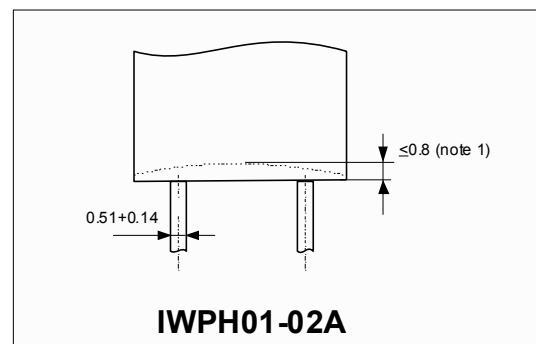
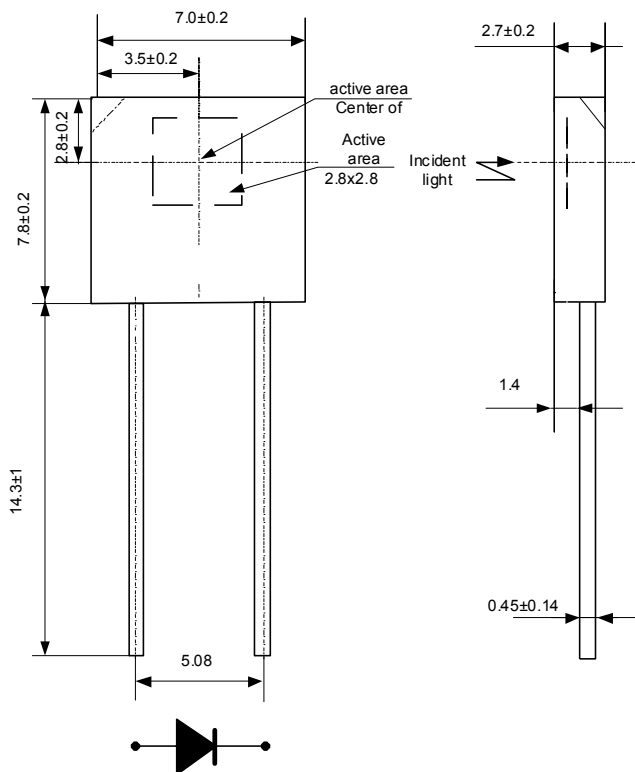
### Absolute maximum ratings

	Parameter	Max.	Units
$V_{R\ max}$	Reverse voltage	35	V
$P_{\ max}$	Power dissipation	150	mW
$T_{opr}$	Operating temperature	-25 to +85	°C
$T_{stg}$	Storage temperature	-40 to +100	

### Electrical and optical characteristics (Ta=25 °C, unless otherwise noted)

	Parameter	Typ	Max	Units	Conditions
$\lambda$	Spectral response range	320 to 1100		nm	
$\lambda_p$	Peak sensitivity wavelength	960			
S	Photo sensitivity	0.57		A/W	960 nm
		0.38			660 nm
		0.46			780 nm
		0.48			830 nm
$I_{sc}$	Short circuit current	7.5		$\mu$ A	100 lx
$I_D$	Dark current	0.1	10	nA	$V_R=12V$
$T_{CID}$	Temp. coefficient of $I_D$	1.15		times/°C	
	NEP	$1.0 \times 10^{-14}$		W/Hz <sup>1/2</sup>	$V_R=12V$

Package outline (unit: mm, tolerance unless otherwise noted:  $\pm 0.1$ )



Korzhenevskogo 12, Minsk, 220108 Republic of Belarus  
 Fax: +375 (17) 278 28 22,  
 Phone: +375 (17) 278 07 11, 212 24 70, 212 24 61, 1 212 69 16  
 E-mail: office@bms.by  
 URL: www.bms.by

**BELMICROSYSTEMS**

---

---

## ***IWPH01-02***

**Note 1 Shape of surface at zone ( $\leq 0.8$ ) not defined**



---

---

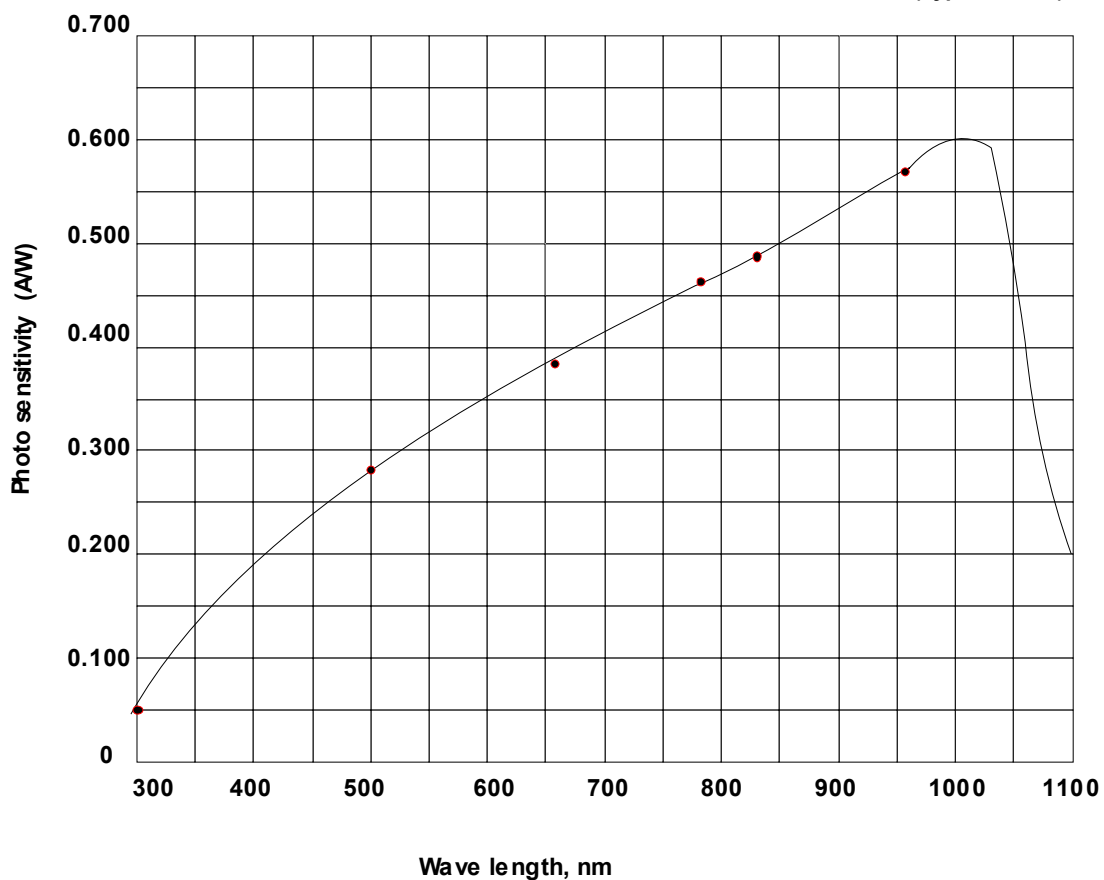
Korzhenevskogo 12, Minsk, 220108 Republic of  
Belarus  
Fax: +375 (17) 278 28 22,  
Phone: +375 (17) 278 07 11, 212 24 70, 212 24 61, 2  
212 69 16  
E-mail: [office@bms.by](mailto:office@bms.by)  
URL: [www.bms.by](http://www.bms.by)

***BELMICROSYSTEMS***

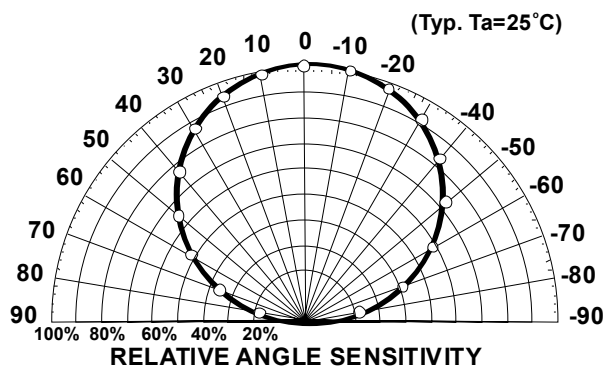
**IWPH01-02**

**Spectral response**

(Typ. Ta=25°C)



• **Directivity**



Korzhenevskogo 12, Minsk, 220108 Republic of Belarus  
 Fax: +375 (17) 278 28 22,  
 Phone: +375 (17) 278 07 11, 212 24 70, 212 24 61, 3 212 69 16  
 E-mail: office@bms.by  
 URL: www.bms.by

**BELMICROSYSTEMS**