

# MICRO ELECTRONICS

L72CB/1G1YDA  
L72CB/1G1YDA-L  
L72CB/1G1YDA-2L

RIGHT ANGLE  
LED LAMPS

## FEATURES

Ideal for card edge status indication  
Option for different color LED  
Package allows flush seating on a PCB boards

## DESCRIPTION

L72CB/1G1YDA series are right angle dual LED unit that incorporates two different color tinted diffused T-1 3/4 LED lamp in a black plastic housing. The green LED lamp is located at left hand side and yellow at the right.

## OPTIONS

LED lamp are available in standard red, high efficiency red, GaAlAs ultra-bright red, yellow or green.

## ABSOLUTE MAXIMUM RATINGS

	<u>GREEN</u>	<u>YELLOW</u>	<u>UNIT</u>
Power Dissipation @ Ta=25°C	90	60	mW
Forward Current, DC (IF)	30	20	mA
Reverse Voltage	5	5	V
Operating & Storage Temperature Range	-55 to +85		°C
Lead Soldering Temperature (1/16" from body, 5 seconds)	260		°C

## ELECTRO-OPTICAL CHARACTERISTICS (Ta=25°C)

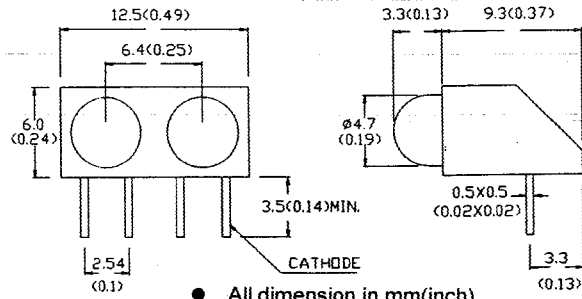
PARAMETER	SYMBOL	GREEN	YELLOW	UNIT	CONDITIONS
Forward Voltage	MAX $V_F$	3.0	3.0	V	$I_F=20mA$
Reverse Breakdown Voltage	MIN $BV_R$	5	5	V	$I_R=100\mu A$
Luminous Intensity	MIN $I_V$	7.0	4.0	mcd	$I_F=20mA$
	TYP	10	6.0	mcd	$I_F=20mA$
Peak Wavelength	TYP $\lambda_p$	570	585	nm	$I_F=20mA$
Spectral Line Half Width	TYP $\Delta\lambda$	30	35	nm	$I_F=20mA$



MICRO ELECTRONICS LTD.

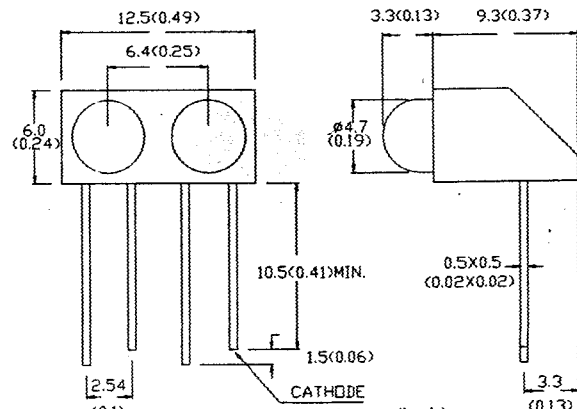
38, Hung To Road, Microtron Building, Kwun Tong, Kowloon, Hong Kong.  
Kwun Tong P.O. Box 69477 Hong Kong. Fax No. 2341 0321 Telex:43510 Micro Hx. Tel: 2343 0181-5

# L72CB/1G1YDA



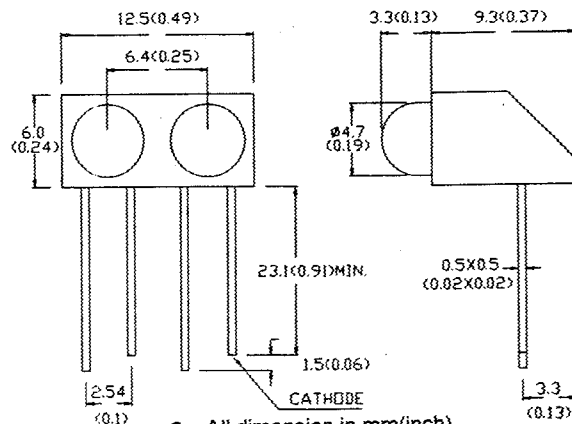
- All dimension in mm(inch)
- No Scale
- Tol. : +/-0.3mm

# L72CB/1G1YDA-L



- All dimension in mm(inch)
- No Scale
- Tol. : +/-0.3mm

# L72CB/1G1YDA-2L



- All dimension in mm(inch)
- No Scale
- Tol. : +/-0.3mm