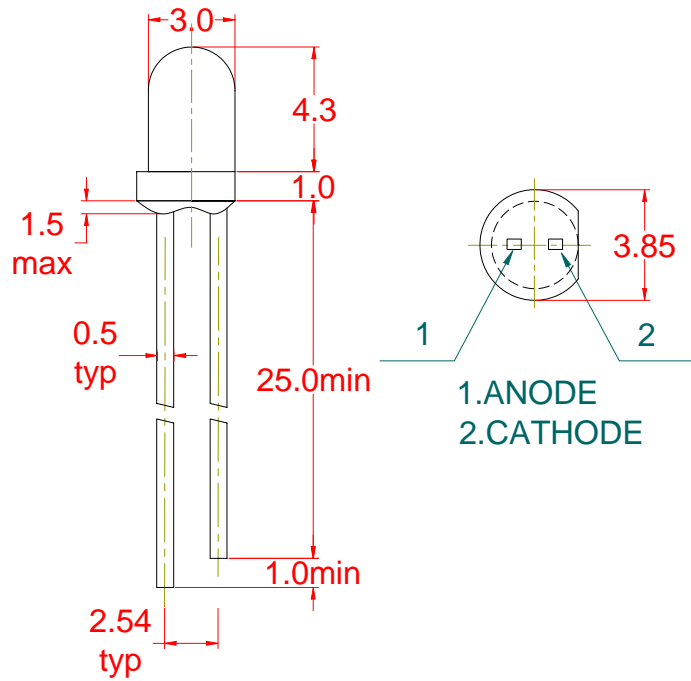


DATA SHEET for LED

Part No.	LUW/G/B30243	
Emitting Color	Lens' Color	Chip Material
Super White/Green/Blue	Water Clear	InGaN

Package Dimensions :



Note :

1. All dimensions are in millimeters(mm)
2. Tolerance is ± 0.25 mm unless otherwise noted

Absolute Maximum Rating of Each Segment (Ta = 25 °C)

Parameter	Symbol	Maximum Rating	Unit
Power Dissipation	P_M	150	mW
Pulse Forward Current (Duty 1/10 @ 1kHz)	I_{FP}	100	mA
Continuous Forward Current	I_F	40	mA
Reverse Voltage	V_R	6	V
Operation Temperature	T_{opr}	-25°C ~ 85°C	°C
Storage Temperature	T_{stg}	-40°C ~ 100°C	°C
Soldering Temperature : 2.0mm from Body for 3 seconds at 260°C			

Electron-Optical Characteristics of Each Segment (Ta = 25 °C)

Parameter	Symbol	Min.	Typ.	Max.	Unit	Test Condition
Luminous Intensity	I_v		1,500		mcd	$I_F=20$ mA
Forward Voltage	V_F		3.5	4.0	V	$I_F=20$ mA
Reverse Current	I_R			50	μA	$V_R=5V$
Dominant Wavelength	λ_d		473		nm	$I_F=20$ mA
Peak Emission Wavelength	λ_p		470		nm	$I_F=20$ mA
Spectral Line Half Width	$\Delta\lambda$		20		nm	$I_F=20$ mA
Viewing Angle	$2\theta_{1/2}$		20		deg	$I_F=20$ mA

Note :

- 1) The luminous intensity data and λ_p is survey values with the machine JF- II , JS-2000.
- 2) $2\theta_{1/2}$ is the chip angle at which the luminous intensity half the axial luminous intensity.
- 3) Pay attention to electrostatic (ESD)

Typical Characteristic Curves :

