



M.S.KENNEDY CORP.

# 75 VOLT 6 AMP MOSFET H-BRIDGE PWM MOTOR DRIVER/AMPLIFIER

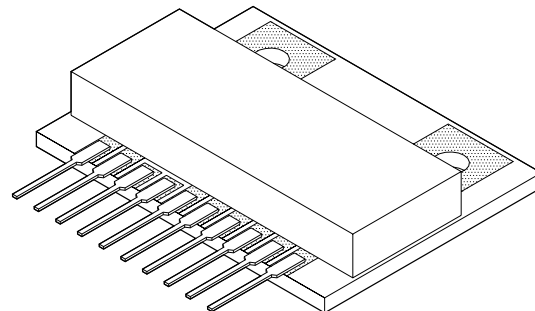
# 4223

4707 Dey Road Liverpool, N.Y. 13088

(315) 701-6751

### FEATURES:

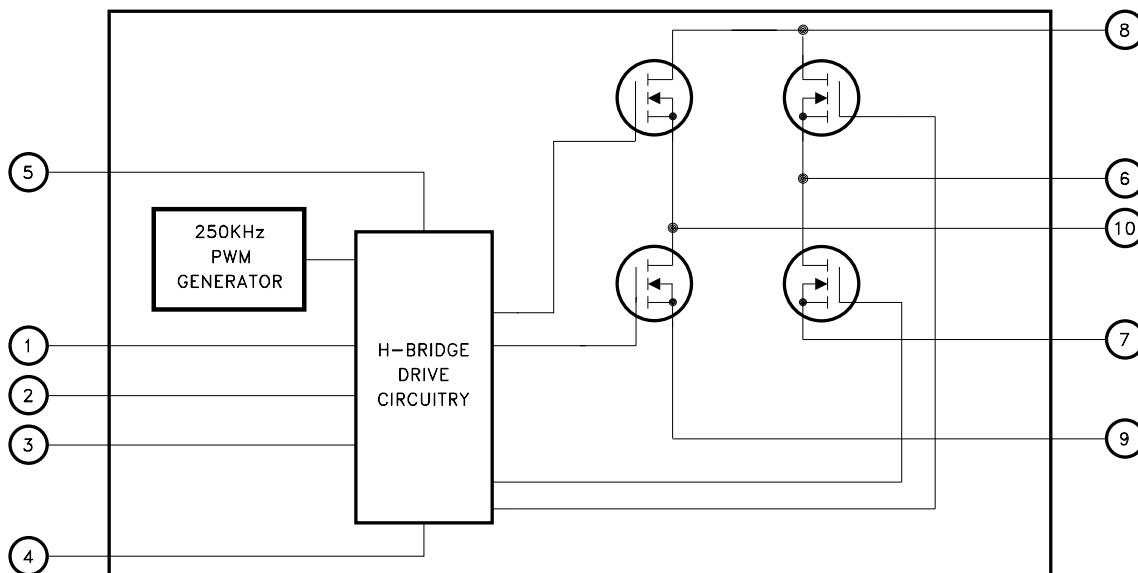
- Low Cost Complete H-Bridge
- 6 Amp Capability, 75 Volt Maximum Rating
- Self-contained Smart Lowside/Highside Drive Circuitry
- Internal PWM Generation, Shoot-through Protection
- Isolated Case Allows Direct Heatsinking
- Four Quadrant Operation, Torque Control Capability
- Logic Level Disable Input
- Logic Level High Side Enable Input for Special Modulation or Function
- Available With Leads Bent Up Or Down



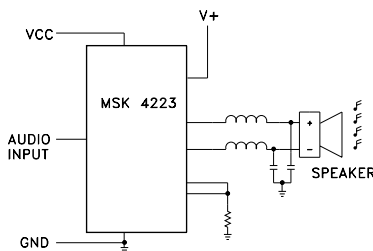
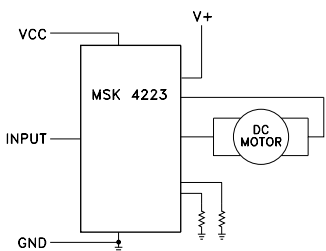
### DESCRIPTION:

The MSK 4223 is a complete H-Bridge circuit to be used for DC brushed motor control or Class D switchmode amplification. All of the drive/control circuitry for the lowside and highside switches are internal to the circuit. The PWM circuitry is internal as well, leaving the user to only provide an analog signal for the motor speed/direction, or audio signal for switchmode audio amplification. The MSK 4223 is constructed on a space efficient ceramic substrate that can be directly connected to a heatsink.

### EQUIVALENT SCHEMATIC



### TYPICAL APPLICATIONS



### PIN-OUT INFORMATION

- 1 HEN
- 2 Disable
- 3 Input
- 4 Ground
- 5 Vcc
- 6 Output A
- 7 Rsense A
- 8 V +
- 9 Rsense B
- 10 Output B

## ABSOLUTE MAXIMUM RATINGS

V+	High Voltage Supply	75V	T <sub>ST</sub>	Storage Temperature Range	-65°C to +150°C
V <sub>CC</sub>	Logic Supply	16V	T <sub>LD</sub>	Lead Temperature Range (10 Seconds)	300°C
I <sub>OUT</sub>	Continuous Output Current	6A	T <sub>C</sub>	Case Operating Temperature MSK4223	-40°C to +125°C
I <sub>PK</sub>	Peak Output Current	9A	T <sub>J</sub>	Junction Temperature	+150°C
V <sub>OUT</sub>	Output Voltage Range	GND-2V min. To V+ max.			
θ <sub>JC</sub>	Thermal Resistance (Output Switches)	4.6°C/W			

## ELECTRICAL SPECIFICATIONS

All Ratings: T<sub>c</sub> = +25°C Unless Otherwise Specified

Parameter	Test Conditions ②	MSK 4223			Units
		Min.	Typ.	Max.	
<b>OUTPUT CHARACTERISTICS</b>					
V <sub>DS(ON)</sub> Voltage ①	Each MOSFET I <sub>D</sub> = 6A	-	0.75	1.5	V
Instantaneous Forward Voltage ①	Each MOSFET I <sub>S</sub> = 6A Intrinsic Diode	-	1.1	1.8	V
Reverse Recovery Time ①	Intrinsic Diode	-	-	260	nS
Leakage Current ①	Each MOSFET V <sub>+</sub> = 70V	-	1.0	25	uA
PWM Frequency		225	250	275	KHz
<b>V<sub>CC</sub> SUPPLY CHARACTERISTICS</b>					
Quiescent Bias Current	Analog Input = 6V <sub>DC</sub> R <sub>L</sub> = ∞	-	46	60	mA
V <sub>CC</sub> Voltage Range ①		9	12	16	V
<b>INPUT SIGNAL CHARACTERISTICS</b>					
Analog Input Voltage	Output A,B = 50% Duty Cycle	5.5	6	6.5	V
Analog Input Voltage	Output A = 100% Duty Cycle High	2.5	3	3.5	V
Analog Input Voltage	Output B = 100% Duty Cycle High	8.5	9	9.5	V
<b>LOGIC CONTROL INPUTS ①</b>					
Disable Input	Input Voltage LO	-	-	0.8	V
	Input Voltage HI	2.7	-	-	V
	Input Current (DISABLE = 0V)	-	-	-135	uA
HEN Input	Input Voltage LO	-	-	0.8	V
	Input Voltage HI	2.7	-	-	V
	Input Current (HEN = 0V)	-	-	-270	uA
<b>SWITCHING CHARACTERISTICS ①</b>					
	R <sub>L</sub> = 100Ω				
Rise-Time	V <sub>+</sub> = 75V	-	56	84	nS
Fall-Time	V <sub>+</sub> = 75V	-	33	50	nS
Dead-Time		-	100	-	nS

### NOTES:

① Guaranteed by design but not tested. Typical parameters are representative of actual device performance but are for reference only.

② V<sub>CC</sub> = +12V, V<sub>+</sub> = 28V, R<sub>L</sub> = 1K A<sub>OUT</sub> to B<sub>OUT</sub>, unless otherwise specified.

## APPLICATION NOTES

### MSK 4223 PIN DESCRIPTIONS

**VCC** - Is the low voltage supply for powering internal logic and drivers for the lowside and highside MOSFETS. The supplies for the highside drivers are derived from this voltage.

**V+** - Is the higher voltage H-bridge supply. The MOSFETS obtain the drive current from this supply pin. The voltage on this pin is limited by the drive IC. The MOSFETS are rated at 100 volts. Proper by-passing to **GND** with sufficient capacitance to suppress any voltage transients, and to ensure removing any drooping during switching, should be done as close to the pins of the module as possible.

**OUTPUT A** - Is the output pin for one half of the bridge. Decreasing the input voltage causes increasing duty cycles at this output.

**OUTPUT B** - Is the output pin for the other half of the bridge. Increasing the input voltage causes increasing duty cycles at this output.

**RSENSE A** - Is the connection for the bottom of the A half bridge. This can have a sense resistor connection to the V+ return ground for current limit sensing, or can be connected directly to ground. The maximum voltage on this pin is  $\pm 2$  volts with respect to GND.

**RSENSE B** - Is the connection for the bottom of the B half bridge. This can have a sense resistor connection to the V+ return ground for current limit sensing, or can be connected directly to ground. The maximum voltage on this pin is  $\pm 2$  volts with respect to GND.

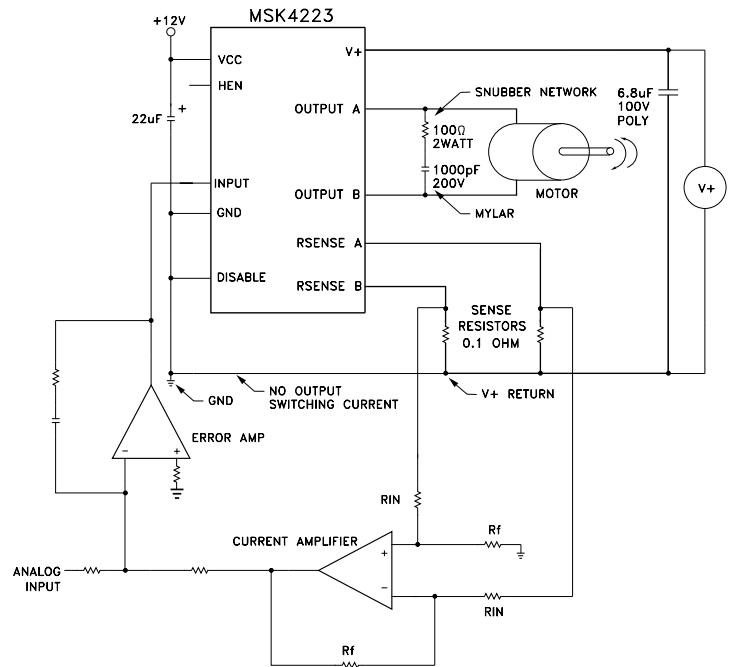
**GND** - Is the return connection for the input logic and Vcc.

**INPUT** - Is an analog input for controlling the PWM pulse width of the bridge. A voltage lower than  $V_{cc}/2$  will produce greater than 50% duty cycle pulses out of OUTPUT A. A voltage higher than  $V_{cc}/2$  will produce greater than 50% duty cycle pulses out of OUTPUT B.

**DISABLE** - Is the connection for disabling all 4 output switches. DISABLE high overrides all other inputs. When taken low, everything functions normally. An internal pullup to Vcc will keep DISABLE high if left unconnected.

**HEN** - Is the connection for enabling the high side output switches. When taken low, HEN overrides other inputs and the high side switches remain off. When HEN is high everything functions normally. An internal pullup to Vcc will keep HEN high if left unconnected.

### TYPICAL SYSTEM OPERATION

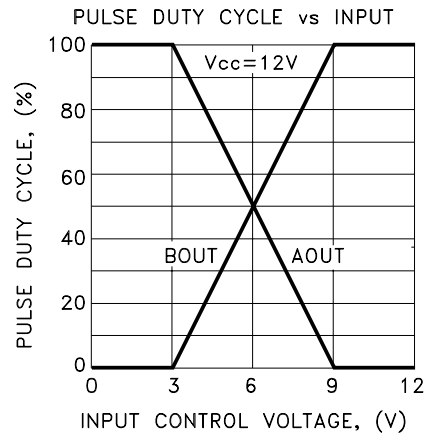
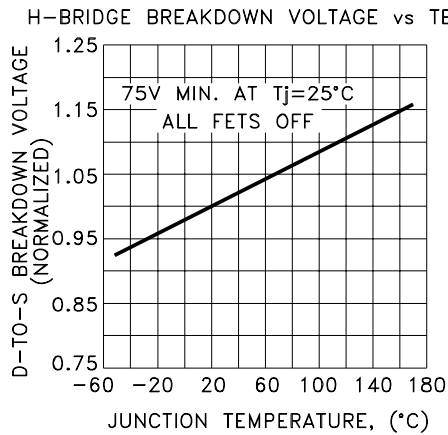
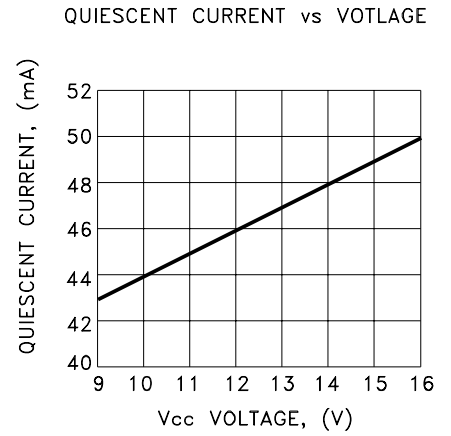
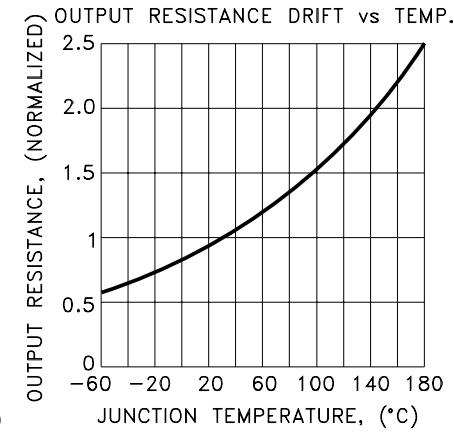
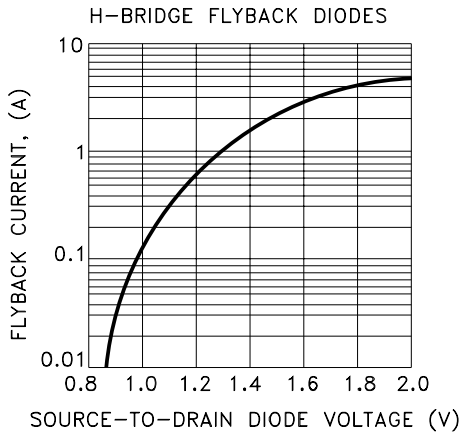
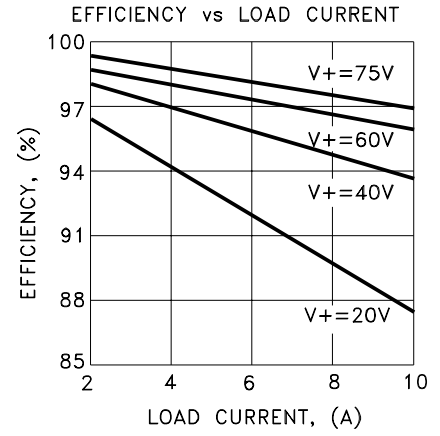
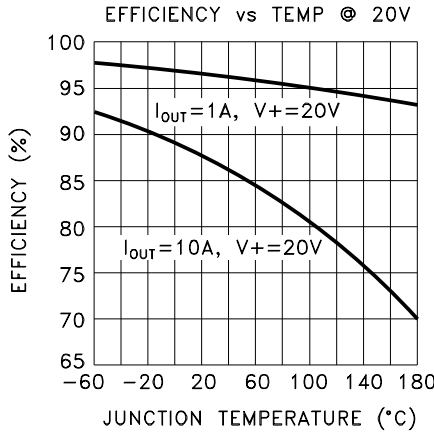
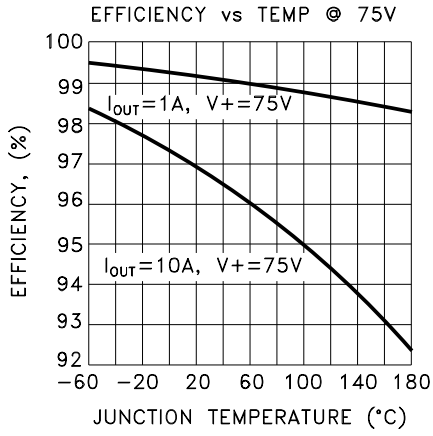
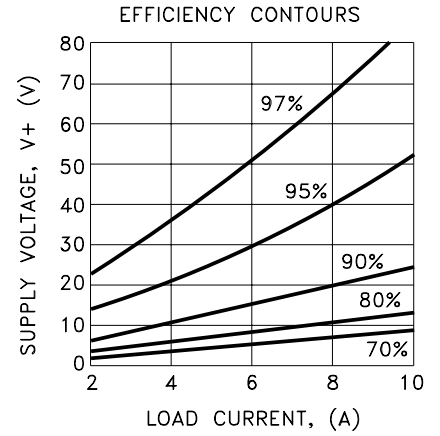
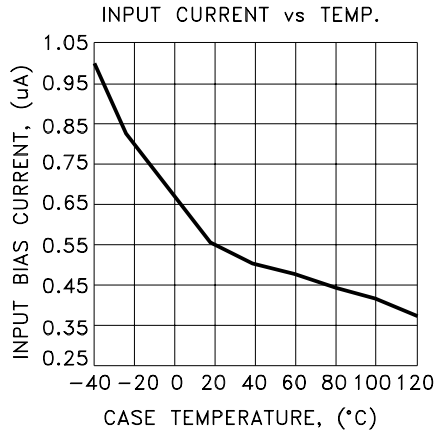
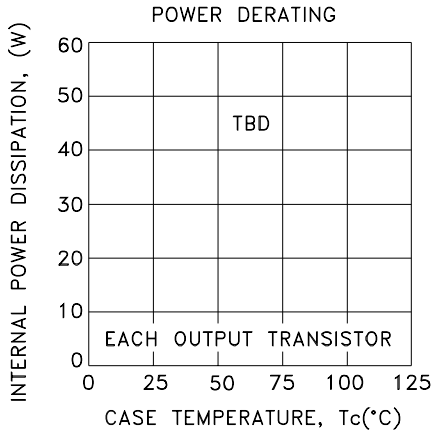


This is a diagram of a typical application of the MSK 4223. The design Vcc voltage is +12 volts and should have a good low ESR bypass capacitor such as a tantalum electrolytic. The analog input can be an analog speed control voltage from a potentiometer, other analog circuitry or by microprocessor and a D/A converter. This analog input gets pulled by the current control circuitry in the proper direction to reduce the current flow in the bridge if it gets too high. The gain of the current control amplifier will have to be set to obtain the proper amount of current limiting required by the system.

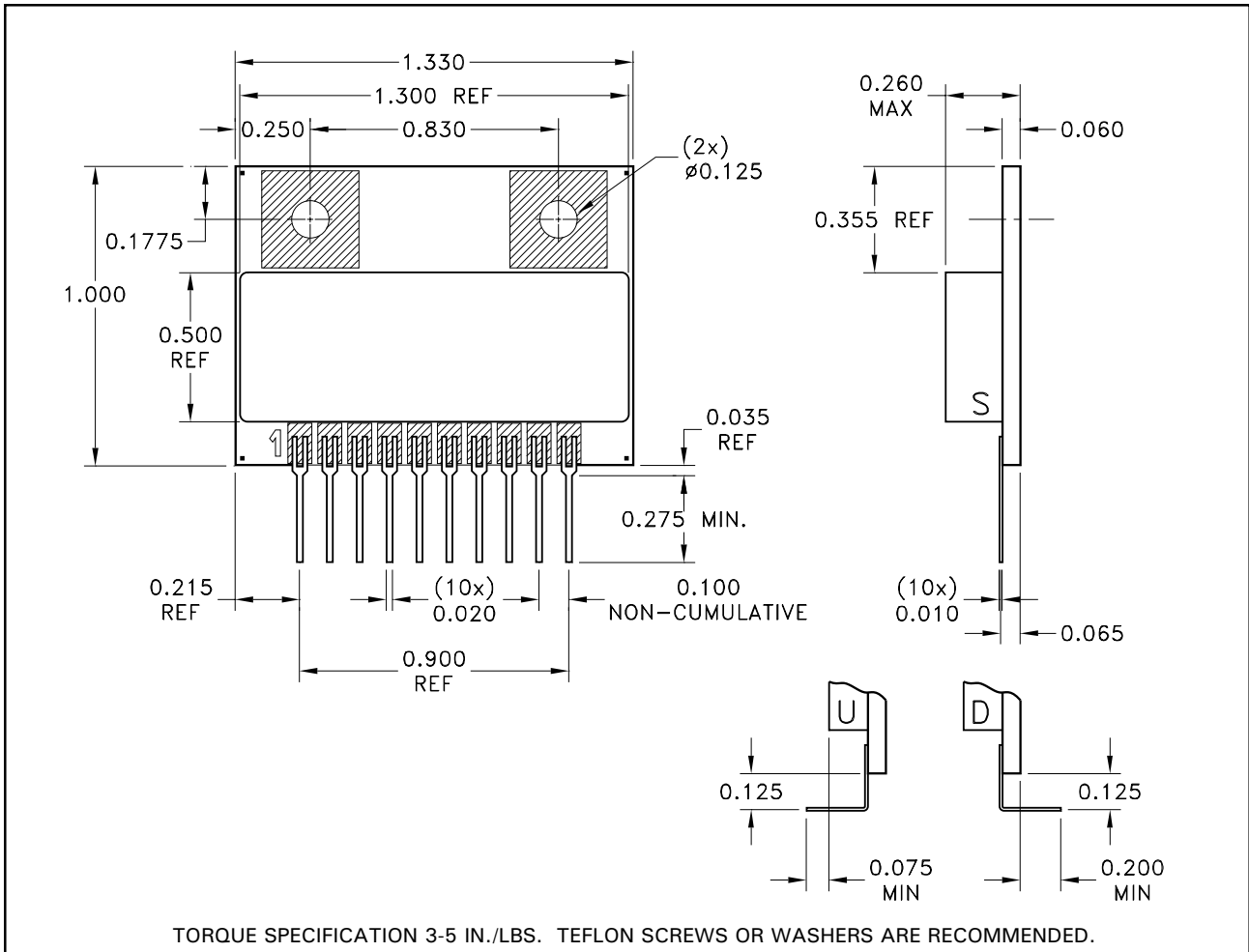
Current sensing is done in this case by a 0.1 ohm sense resistor to sense current from both legs of the bridge separately. It is important to make the high current traces as big as possible to keep inductance down. The storage capacitor connected to the V+ and the module should be large enough to provide the high energy pulse without the voltage sagging too far. A low ESR ceramic capacitor or large polypropylene capacitor will be required. Mount the capacitor as close to the module as possible. The connection between GND and the V+ return should not be carrying any motor current. The sense resistor signal is common mode filtered as necessary to feed the limiting circuitry for the microprocessor. This application will allow full four quadrant torque control for a closed loop servo system.

A snubber network is usually required, due to the inductance in the power loop. It is important to design the snubber network to suppress any positive spikes above 75V and negative spikes below -2V with respect to ground.

# TYPICAL PERFORMANCE CURVES



# MECHANICAL SPECIFICATIONS



## ORDERING INFORMATION

MSK4223 U

LEAD CONFIGURATIONS

S = STRAIGHT; U = BENT UP; D = BENT DOWN

GENERAL PART NUMBER

M.S. Kennedy Corp.  
 4707 Dey Road, Liverpool, New York 13088  
 Phone (315) 701-6751  
 FAX (315) 701-6752  
 www.mskennedy.com

The information contained herein is believed to be accurate at the time of printing. MSK reserves the right to make changes to its products or specifications without notice, however, and assumes no liability for the use of its products.