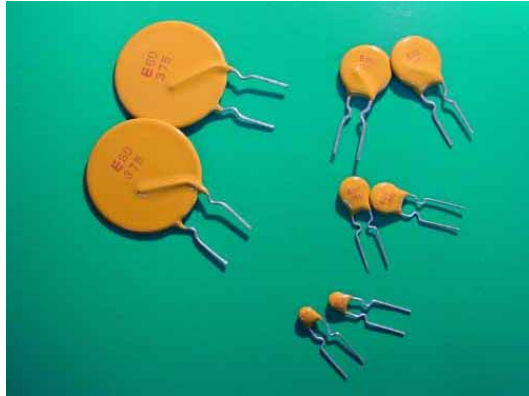


Ferraz Shawmut Resettable Fuses

Type RDL60V

Polymeric Positive temperature Coefficient
(PPTC)



Agency Approvals



UL Recognized 0.1A~3.75A
TUV 0.1A~3.75A

Agency File Numbers

UL E215282, TUV R3-50003565

Environmental Characteristics

Operating/Storage Temperature

-40°C to +85°C

Maximum Device Surface Temperature

In Tripped State 125°C

Passive Aging

+85°C, 1000Hours, ±5% Typical Resistance Change

Humidity Aging

+85°C, 85%R.H., 1000Hours, ±5% Typical Resistance Change

Thermal Shock:

MIL-STD-883C, Method 107G, +125°C / -10°C, 10 Times, ±5% Typical Resistance Change

Vibration

MIL-STD-883C, Method 2007,1 No Resistance Change

Physical Specification

Materials: Leads

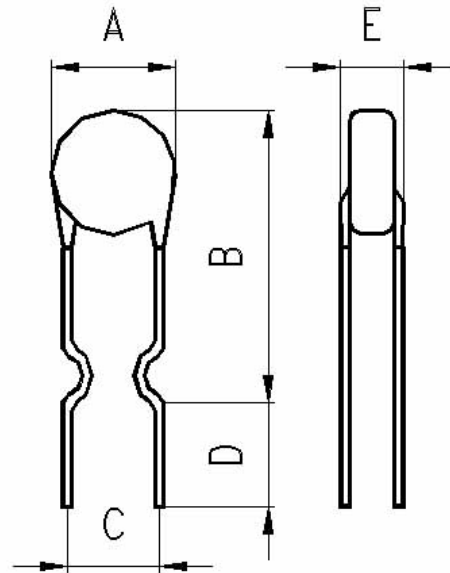
RDL60V010-090: Tin Plated Copper-Clad Steel, 0.51mm Dia.

RDL60V110-375: Tin Plated Copper, 0.81mm Dia.

Packaging

- In bulk: 500 pcs per box.
- On Tap: Ammo pack, 3,000 pcs box

Mechanical Dimensions



Model	A Max	B Max	C		D Min	E Max	Lead (mm)
			Nom	Tol ±			
RDL60V010	7.4	12.7	5.1	0.7	7.6	3.1	0.51
RDL60V017	7.4	12.7	5.1	0.7	7.6	3.1	0.51
RDL60V020	7.4	12.7	5.1	0.7	7.6	3.1	0.51
RDL60V025	7.4	12.7	5.1	0.7	7.6	3.1	0.51
RDL60V030	7.4	13.4	5.1	0.7	7.6	3.1	0.51
RDL60V040	7.6	13.7	5.1	0.7	7.6	3.1	0.51
RDL60V050	7.9	13.7	5.1	0.7	7.6	3.1	0.51
RDL60V065	9.7	15.2	5.1	0.7	7.6	3.1	0.51
RDL60V075	10.4	16.0	5.1	0.7	7.6	3.1	0.51
RDL60V090	11.7	16.7	5.1	0.7	7.6	3.1	0.51
RDL60V110	13.0	18.0	5.1	0.7	7.6	3.1	0.81
RDL60V135	14.5	19.6	5.1	0.7	7.6	3.1	0.81
RDL60V160	16.3	21.3	5.1	0.7	7.6	3.1	0.81
RDL60V185	17.8	22.9	5.1	0.7	7.6	3.1	0.81
RDL60V250	21.3	26.4	10.2	0.7	7.6	3.1	0.81
RDL60V300	24.9	30.0	10.2	0.7	7.6	3.1	0.81
RDL60V375	28.5	33.5	10.2	0.7	7.6	3.1	0.81

Unit: mm

Ferraz Shawmut Canada Inc.

88 Horner Avenue, Toronto, Ontario, Canada M8Z 5Y3 Telephone (416)-252-9371 Order Service (416)-252-9381 Fax (416) 252-9245

E-mail: tor.custservice@ferrazshawmut.com

Ferraz Shawmut Resettable Fuses

Electrical Characteristics

Part Number	V max, Volts	I max, Amp	I hold	I trip	Initial resistance		1 hour post-trip resistance	Max. time to trip		Tripped power dissipation Watts at 25C	Temperature derating factors, p.u									
					Amperes at 25C		Ohms at 25C	Amperes at 25C	Seconds at 25C		-40	-20	0	23	40	50	60	70	85	
					Hold	Trip	Min.													Max.
RDL60V010	60	40	0.1	0.2	2.5	4.5	7.5	0.5	4	0.38	0.17	0.15	0.14	0.1	0.08	0.07	0.06	0.05	0.04	
RDL60V017	60	40	0.17	0.34	2	3.2	8	0.85	3	0.48	0.28	0.25	0.22	0.17	0.15	0.12	0.11	0.09	0.08	
RDL60V020	60	40	0.2	0.4	1.83	2.84	4.4	1	2.2	0.4	0.32	0.28	0.25	0.2	0.17	0.15	0.13	0.11	0.08	
RDL60V025	60	40	0.25	0.5	1.25	1.95	3	1.25	2.5	0.45	0.41	0.36	0.31	0.25	0.21	0.2	0.17	0.14	0.1	
RDL60V030	60	40	0.3	0.6	0.88	1.36	2.1	1.5	3	0.5	0.48	0.43	0.38	0.3	0.25	0.23	0.19	0.16	0.12	
RDL60V040	60	40	0.4	0.8	0.55	0.86	1.29	2	3.8	0.55	0.64	0.56	0.49	0.4	0.33	0.3	0.25	0.22	0.17	
RDL60V050	60	40	0.5	1	0.5	0.77	1.17	2.5	4	0.75	0.8	0.69	0.62	0.5	0.45	0.35	0.3	0.3	0.2	
RDL60V065	60	40	0.65	1.3	0.31	0.48	0.72	3.25	5.3	0.9	1.05	0.9	0.8	0.65	0.55	0.45	0.4	0.35	0.25	
RDL60V075	60	40	0.75	1.5	0.25	0.4	0.6	3.75	6.3	0.9	1.2	1.1	0.9	0.75	0.65	0.55	0.5	0.4	0.3	
RDL60V090	60	40	0.9	1.8	0.2	0.31	0.47	4.5	7.2	1	1.4	1.25	1.05	0.9	0.75	0.7	0.6	0.5	0.35	
RDL60V110	60	40	1.1	2.2	0.15	0.25	0.38	5.5	8.2	1.5	1.75	1.55	1.35	1.1	0.9	0.8	0.7	0.6	0.45	
RDL60V135	60	40	1.35	2.7	0.12	0.19	0.3	6.75	9.6	1.7	2.15	1.9	1.65	1.35	1.11	1	0.9	0.75	0.55	
RDL60V160	60	40	1.6	3.2	0.09	0.14	0.22	8	11.4	1.9	2.5	2.25	1.95	1.6	1.35	1.15	1.05	0.9	0.7	
RDL60V185	60	40	1.85	3.7	0.08	0.12	0.19	9.25	12.6	2.1	2.9	2.55	2.25	1.85	1.55	1.3	1.2	1	0.75	
RDL60V250	60	40	2.5	5	0.05	0.08	0.13	12.5	15.6	2.5	3.9	3.45	3	2.5	2.05	1.8	1.6	1.35	1	
RDL60V300	60	40	3	6	0.04	0.06	0.1	15	19.8	2.8	4.7	4.15	3.6	3	2.45	2.15	1.9	1.65	1.2	
RDL60V375	60	40	3.75	7.5	0.03	0.05	0.08	18.75	24	3.2	5.85	5.15	4.5	3.75	3.05	2.7	2.35	2	1.5	

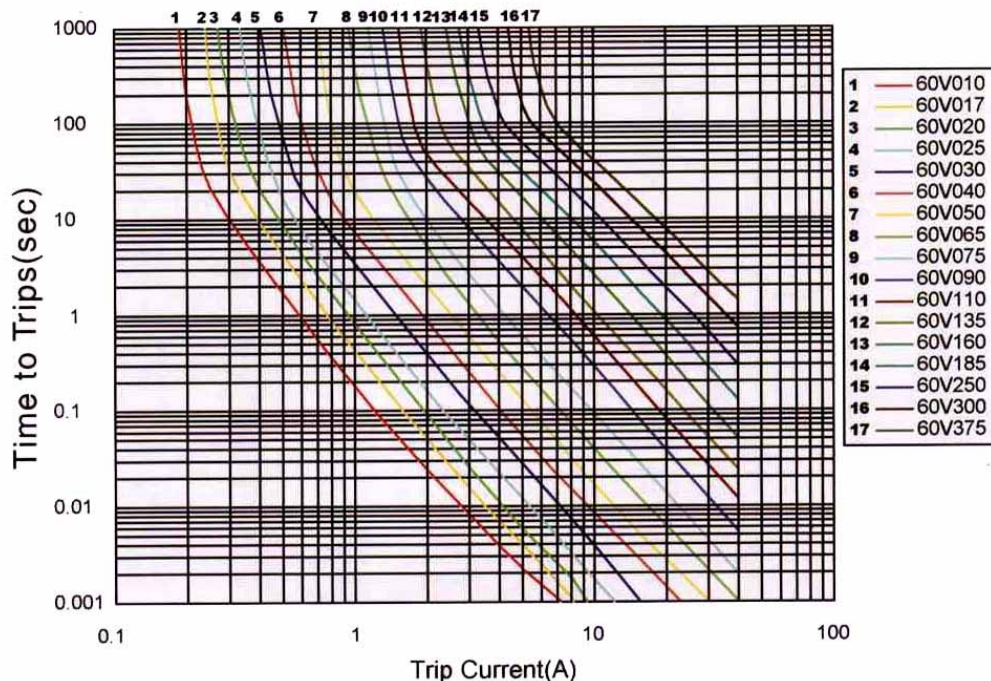
Note:

- V max:** Maximum voltage device can withstand without damage at rated voltage.
- I max:** Maximum fault current device can withstand without damage at rated voltage.
- I hold:** Hold current; maximum current device will sustain for 30 mins without tripping in 25°C still air.
- I trip:** Trip current; minimum current at which the device will trip in 25°C still air.
- R min:** minimum resistance of device in initial (un-soldered) state.
- 1 hour post-trip resistance:** minimum resistance of device at 25°C measured one hour after tripping.
- Tripped power dissipation:** Power dissipated from device when in the tripped state at 25°C still air.

Caution:

Operation beyond the specified rating may result in damage and possible arcing and flame.

PPTC Time-to-Trip Curves (23 °C)



Ferraz Shawmut Canada Inc.

88 Horner Avenue, Toronto, Ontario, Canada M8Z 5Y3 Telephone (416)-252-9371 Order Service (416)-252-9381 Fax (416) 252-9245

E-mail: tor.custservice@ferrazshawmut.com